

# Data sheet for three-phase Squirrel-Cage-Motors SIMOTICS

**Motor type:** FS: B444T - 4p - 125 hp -

Client order no.	Item-No.	Offer no.
Order no.	Consignment no.	Project
Remarks		

**Electrical data** Class I Division 1 Groups D

U [V]	$\Delta/Y$	f [Hz]	P [HP]	P [kW]	n [rpm]	I Load [Amps]					Nom. Eff Load [%]			Pwr. Factor Load [%]			Torque [lb-ft]	T <sub>A</sub> /T <sub>N</sub> LRT [%]	T <sub>k</sub> /T <sub>N</sub> BDT [%]
						4/4	3/4	1/2	0	LRC	4/4	3/4	2/4	4/4	3/4	2/4			
575		60	125.00	-/-	1,785	114.40	87.40	62.90	36.00	726.4	95.4	95.6	95.4	86.0	84.0	78.0	368.0	160	200
Frame Type: B444T		Type of constr.: (A) Foot mounted - End shield				Ins. Cl.:Insulation class F		Motor Prot.:(A) No winding protection				NEMA Des.: B		S.F.: 1.15					
Mtr. WT:1,621						Temp. Rise Cl.: B		Amb. Temp.: + to -20 °C @1000 m				kVA: G		IP IP65					


**Mechanical data**

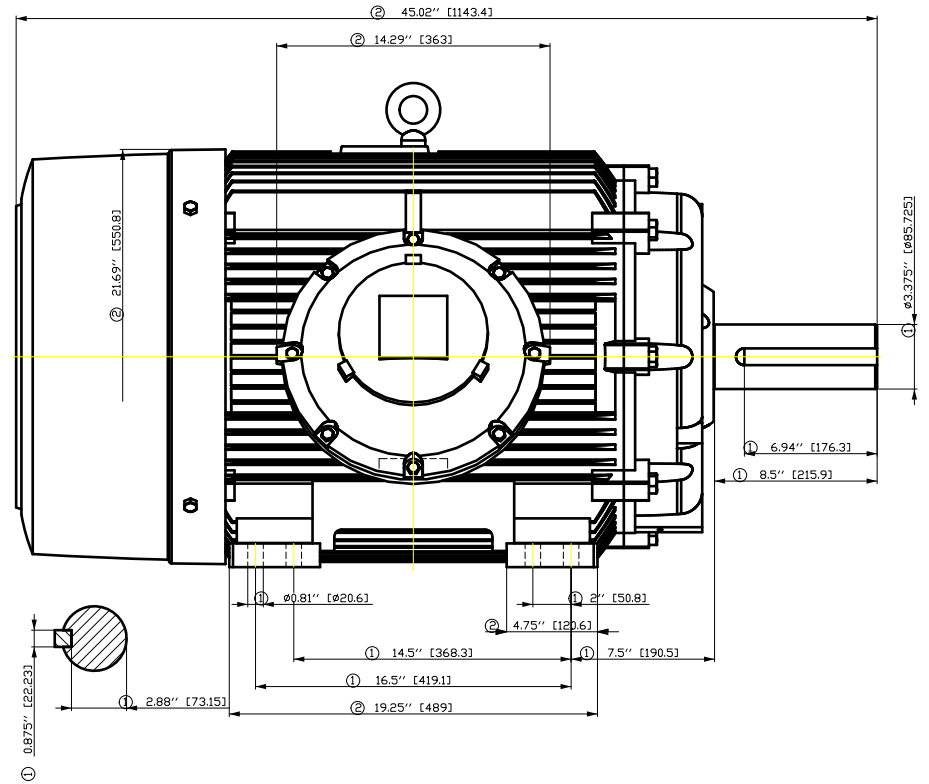
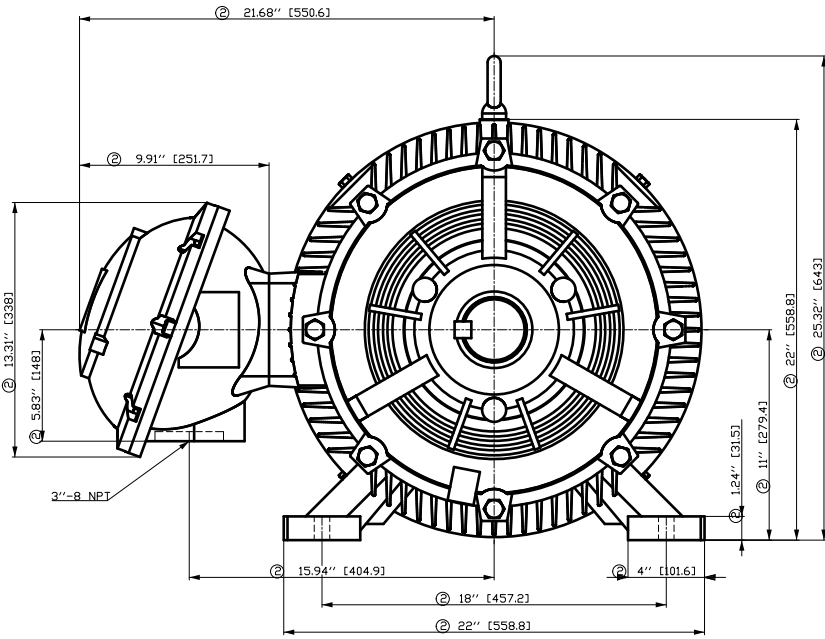
Sound level (SPL / SWL) at 60 Hz	75.0 dB(A) / 86.0 dB(A)	Thickener	Polyurea
Octave Band Center Frequencies Hertz		Safe Stall Time Hot	20 s
250	500	1000	2000
4000	8000	Hz	
SPL@3		dB(A)	
Moment of inertia	24.7 Lb-ft <sup>2</sup>	Safe Stall Time Cold	25 s
Ext Load Inertia Capability:	542.0 Lb ft <sup>2</sup>	Frame material	cast iron
<b>Bearings</b>		Color, paint shade	
Bearing DE   NDE	6318 Z C3 S0	6316 Z C3 S0	
Bearing_Type	Ball Bearing	Ball Bearing	
AFBMA:	90BC03JP30	80BC03JP30	
<b>Grease</b>		Coating (paint finish)	
Capacity	14.5 oz	7.5 oz	
Grease Type:	Exxon Mobile EM		
		<b>Ventilation Type</b>	
		Method of cooling	TEFC
		Direction of rotation	Bidirectional
		Fan Material	Polypropylen ESD
		VFD	CT: 4:1 VT: 20:1
		Space heaters	without
		Brake:	-/-

**Terminal box**

Lead Wire Connection	6 LEAD - DELTA	Terminal box position	(3) Mounting - F-1
Voltage	L1	L1	L1
	Connected together	Material of terminal box	
		Cable entry	-/-

<b>Notes:</b>			
I <sub>r</sub> /I <sub>N</sub> = locked rotor current / current nominal	M <sub>r</sub> /M <sub>N</sub> = locked rotor torque / torque nominal	M <sub>b</sub> /M <sub>N</sub> = break down torque / nominal torque	3) Value is valid only for DOL operation with motor design IC411 2) at rated power / at full load

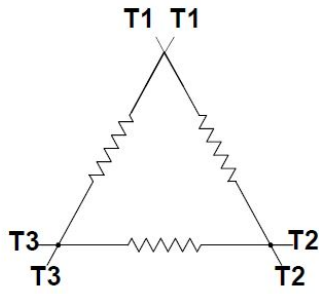
responsible dep.	technical reference	created by	approved by	<i>Technical data are subject to change! There may be discrepancies between software and customer interface</i>			
DI MC LVM		DT Configurator					
	document type	document status		customer			
	datasheet	released					
	title	document number					
	1MB2221-4EB11-3AA3						
© Siemens AG 2022		rev.	creation date	language	Page		
		01	2022-04-09 02:24	en	1/1		



- ① Tolerances according to NEMA std.
- ② All these dimensions corresponding to assemblies and castings shall have a tolerance as per DIN standard 1686-GTB 19.
- ③ Not according to NEMA std.

Tolerance	Surface	Material	Weight	Scale
FT ÖGGRF ÖÖFFÖÖH E	Author Creator Approval Department Change Order	ÖS Tæ: ^æ@ }*	E	{ {
<b>SIEMENS</b>	Doc. State Revision	Item No Doc No	Doc Type Paper Size	CH ^ } â ^
© Siemens AG 2018	Project No E	Ref No E	Sheet F of F	

Main terminal diagram



6 LEAD DELTA			
LINES			CONN.
L1	L2	L3	
T1	T2	T3	Δ

responsible dep.  
DI MC LVM

technical reference

created by

approved by

Project

**SIEMENS**

document type  
Wiring Diagram

title  
1MB2221-4EB11-3AA3

document status  
free

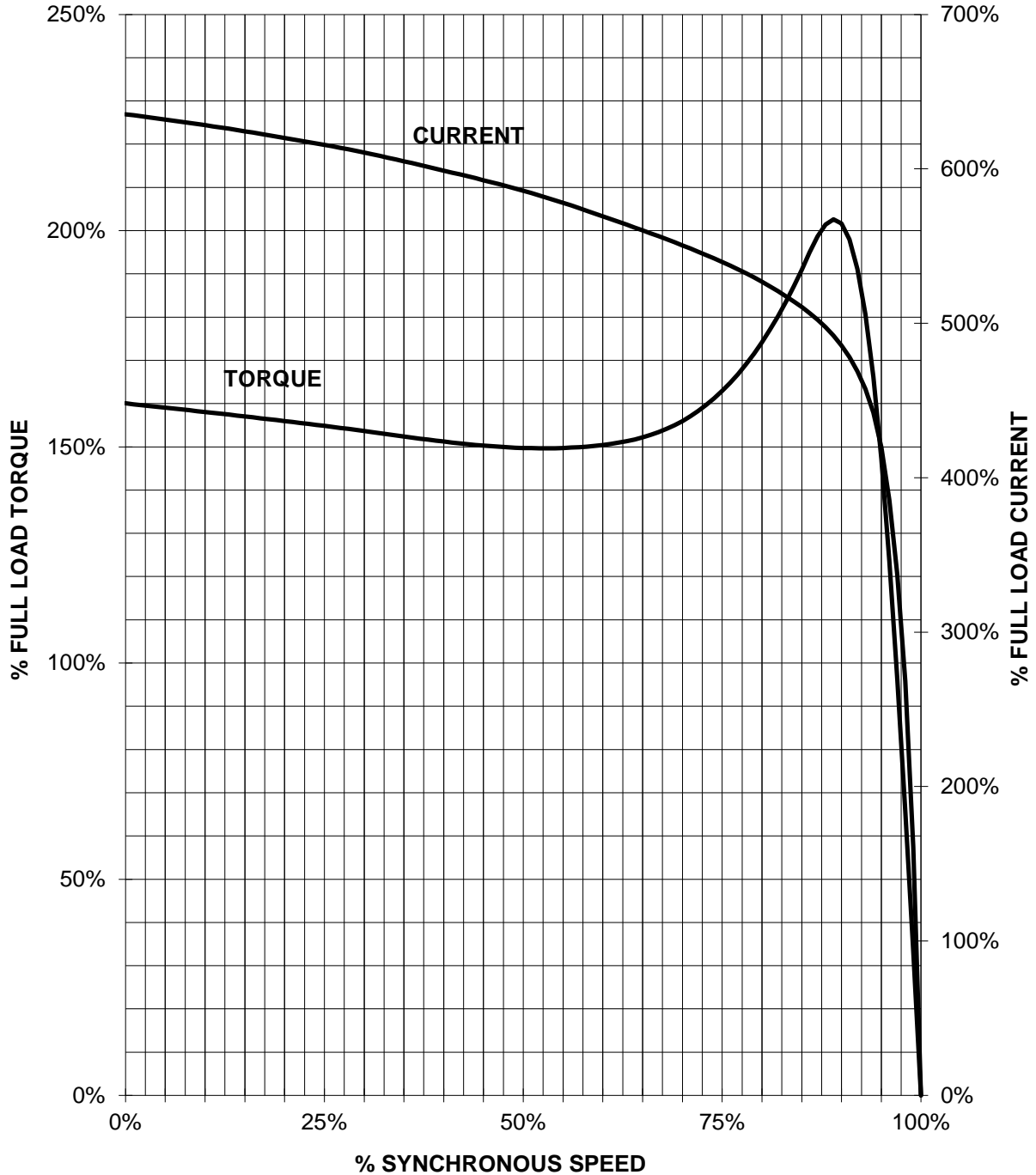
document number

customer

# SIEMENS INDUSTRY, INC.

HP 125    VOLTS <600    RPM 1800    TYPE XP100 1D1  
HZ 60    PHASE 3    FRAME B444T    NEMA B

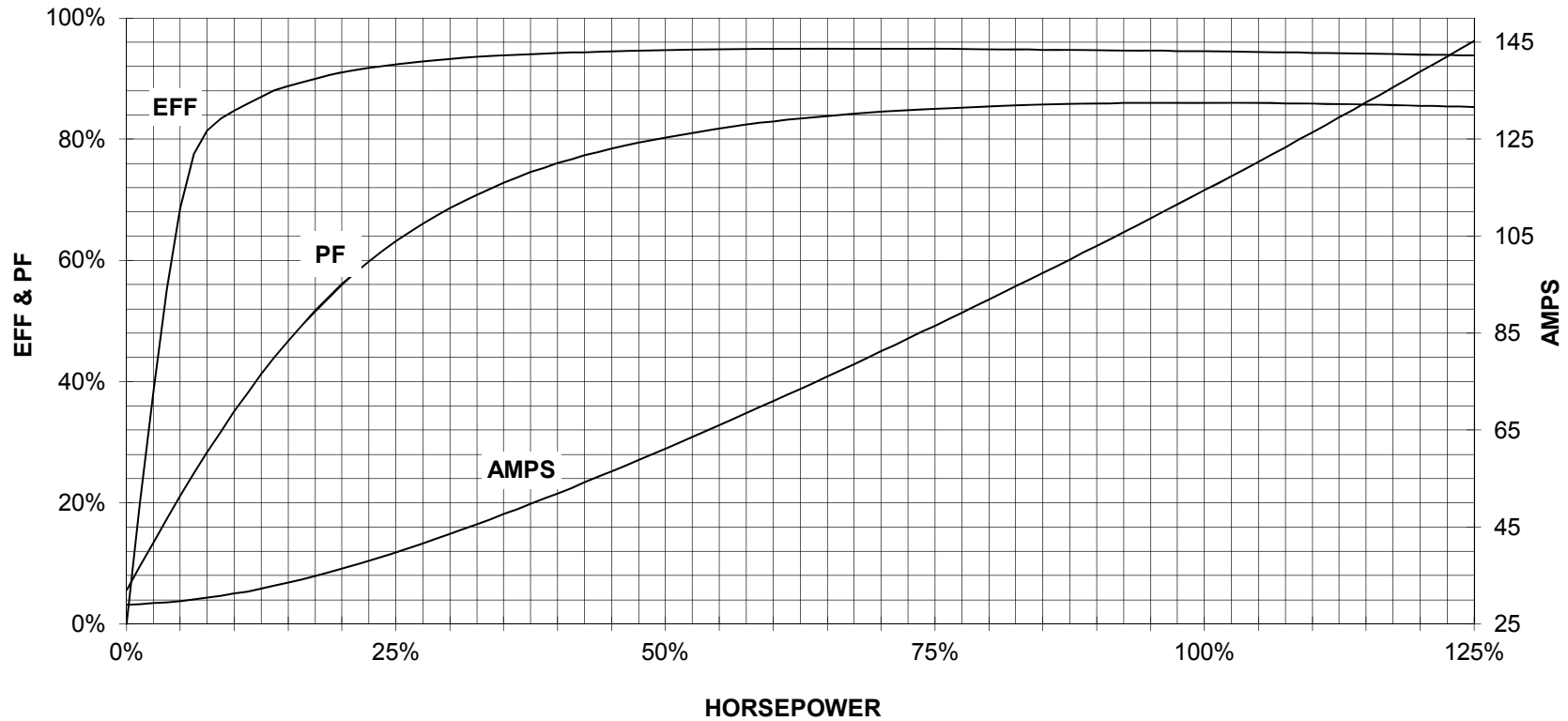
## TORQUE & CURRENT VS. SPEED



CUSTOMER: \_\_\_\_\_ ORDER#: \_\_\_\_\_

125 HP 1800 RPM B444T FRAME 575 VOLTS 3 PHASE NEMA DESIGN B

**SIEMENS INDUSTRY, INC.  
PERFORMANCE CURVE  
XP100 1D1**



CUSTOMER \_\_\_\_\_ ORDER # \_\_\_\_\_ PO # \_\_\_\_\_

PERFORMANCE BASED ON DESIGN CALCULATIONS. SUBJECT TO CHANGE WITHOUT NOTICE.

REV. 1