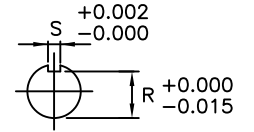
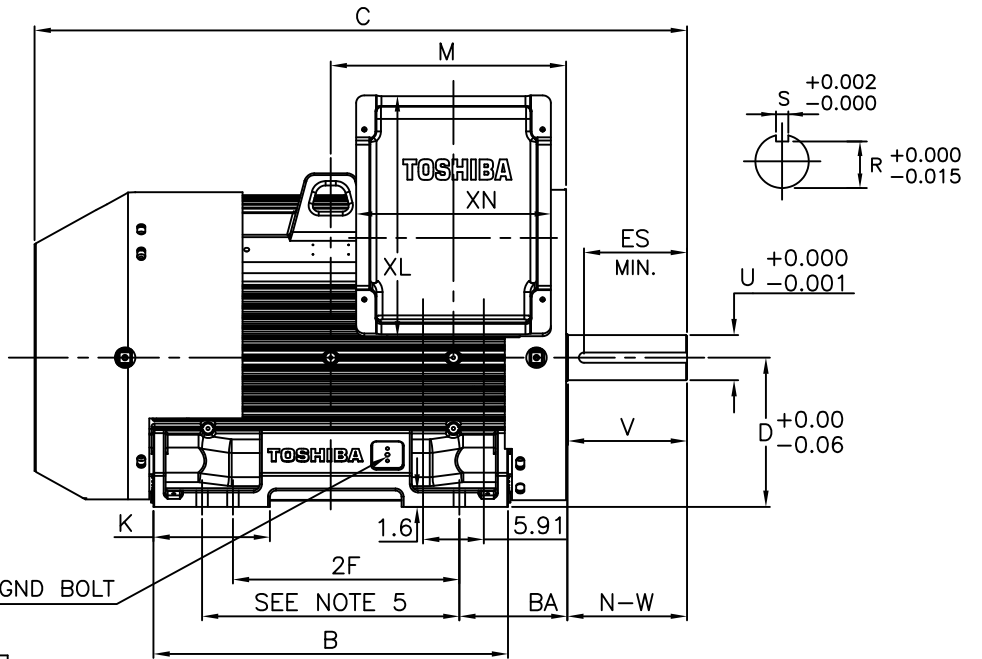
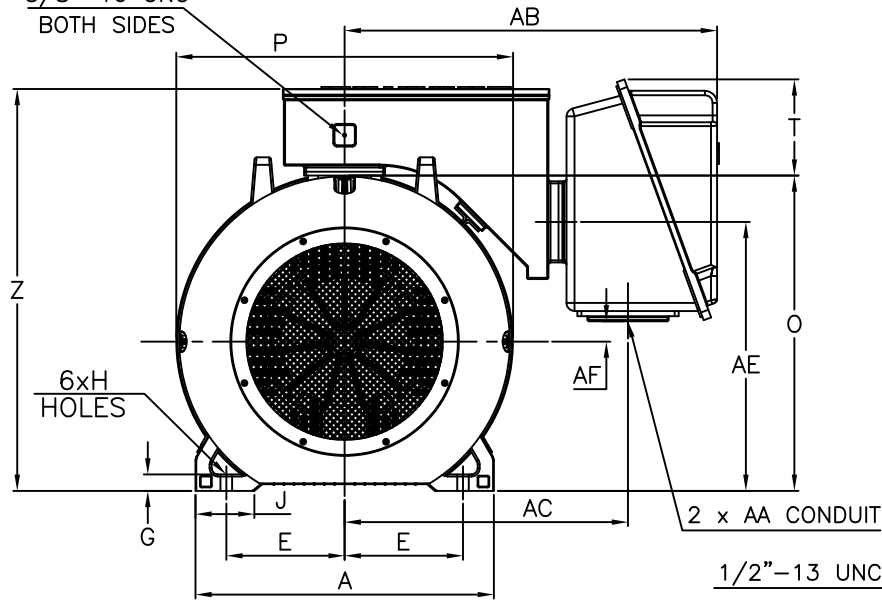


3/8"-16 UNC
BOTH SIDES



UNITS: INCHES

FRAME SIZE	MOTOR DIMENSIONS											
	A	B	C	D	G	J	K	M	O	P	T	Z
S586/7LQ	29.0	34.5	63.4	14.5	1.58	5.7	11.3	22.9	30.6	32.7	9.3	39.2
S586/7L	29.0	34.5	63.4	14.5	1.58	5.7	11.3	22.9	30.6	32.7	9.3	39.2
S586/7LS	29.0	34.5	60.0	14.5	1.58	5.7	11.3	22.9	30.6	32.7	9.3	39.2

FRAME SIZE	CONDUIT BOX						
	AA[NPT]	AB	AC	AE	AF	XL	XN
S586/7LQ/L/LS	3.00	36.2	27.5	26.1	1.97	23.5	18.9

FRAME SIZE	MOUNTING				SHAFT EXTENSION			KEY SEAT			BEARINGS			MAXIMUM WEIGHT
	E	2F	H	BA	N-W	V	U	R	S	ES	LS ROLLER	LS BALL	OS BALL	
S586/7LQ	11.5	22.00/25.00	1.19	10.0	11.625	11.56	4.375	3.817	1.00	10.00	NU324C3	6324C3	6320C3	6000 lbs.
S586/7L	11.5	22.00/25.00	1.19	10.0	11.625	11.56	3.875	3.309	1.00	10.00	NU322C3	6322C3	6320C3	6000 lbs.
S586/7LS	11.5	22.00/25.00	1.19	10.0	8.25	8.19	3.875	3.309	1.00	6.30	NU322C3	6322C3	6320C3	6000 lbs.

NOTES:

- DIMENSION V REPRESENTS LENGTH OF STRAIGHT PART OF SHAFT.
- MAIN CONDUIT BOX MAY BE ROTATED IN 90° INCREMENTS.
- "LQ" KEY DIMENSIONS EQUAL S x S x 10.00
"L" KEY DIMENSIONS EQUAL S x S x 10.00
"LS" KEY DIMENSIONS EQUAL S x S x 6.30
(MOTOR SUPPLIED WITH KEY)
- MOTOR WEIGHT SHOWN IS MAXIMUM HORSEPOWER IN FRAME.
- THIS DIMENSION EQUALS 2F FOR 587 MOUNTING.
- STANDARD PRODUCT USE BI-DIRECTIONAL FAN. OPPOSITE ROTATION AVAILABLE ONLY BY CONNECTION CHANGE.
- FRAME GROUND BOLT STANDARD.

CUSTOMER: _____ MOTOR MODEL NO.: _____
P.O. NO.: _____ HP: _____ VOLTAGE: _____ RPM(SYN.): _____ Hz: _____
FRAME SIZE: _____ PRODUCT TYPE: TEFC PREMIUM EFFICIENCY QUARRY DUTY
COMMENTS: _____
PER: _____ DATE: _____

TAG NO's: _____

STANDARD (NO AUX. BOXES)
 RTD AUX. BOX
 SPACE HEATER AUX. BOX
 BEARING RTD's

TOSHIBA RESERVES THE RIGHT TO MAKE CHANGES OF TECHNICAL IMPROVEMENT AND THE DATA MAY CHANGE WITHOUT NOTICE PRELIMINARY

DO NOT USE FOR CONSTRUCTION, INSTALLATION, OR APPLICATION PURPOSES UNLESS THE DRAWING IS MARKED AS CERTIFIED CERTIFIED

TOSHIBA

TOSHIBA INTERNATIONAL CORPORATION

TOTALLY-ENCLOSED FAN-COOLED
HORIZONTAL FOOT-MOUNTED
3 PHASE INDUCTION MOTOR
F1 ASSEMBLY

XT SERIES

VISIT OUR WEBSITE AT:
www.toshiba.com/ind

TYPICAL MOTOR PERFORMANCE DATA

Model: 3004QDSB41A-R

HP	kW	Pole	FL RPM	Frame	Voltage	Hz	Phase	FL Amps
300	224	4	1790	S587LQ	460	60	3	344
Enclosure	IP	Ins. Class	S.F.	Duty	NEMA Nom. Eff.	NEMA Design	kVA Code	Ambient (°C)
TEFC	54	F	1.15	CONT	96.2	A		40 C

Load	HP	kW	Amperes	Efficiency (%)	Power Factor (%)
Full Load	300.00	223.7	343	95.7	85.4
¾ Load	225.00	167.8	269	94.8	82.5
½ Load	150.00	111.9	201	92.6	75.3
¼ Load	75.00	55.9	129	86.3	62.9
No Load			115.5		4.4
Locked Rotor			2440		27.5

Torque				Rotor wk ² Inertia (lb-ft ²)
Full Load (lb-ft)	Locked Rotor (% FLT)	Pull Up (% FLT)	Break Down (% FLT)	
880	210	185	285	188.47

Safe Stall Time(s)		Sound Pressure dB(A) @ 1M	Bearings*		Approx. Motor Weight (lbs)
Cold	Hot		DE	NDE	
21	13	85	NU324C3	6320C3	

*Bearings are the only recommended spare part(s).

Motor Options:
Product Family:Quarry
Mounting:Footed,Shaft:"LQ" SHAFT
Motor Specification:Quarry Duty

Customer	
Customer PO	
Sales Order	
Project #	

Tag:

All characteristics are average expected values.

TOSHIBA INTERNATIONAL CORPORATION · HOUSTON, TEXAS U.S.A.

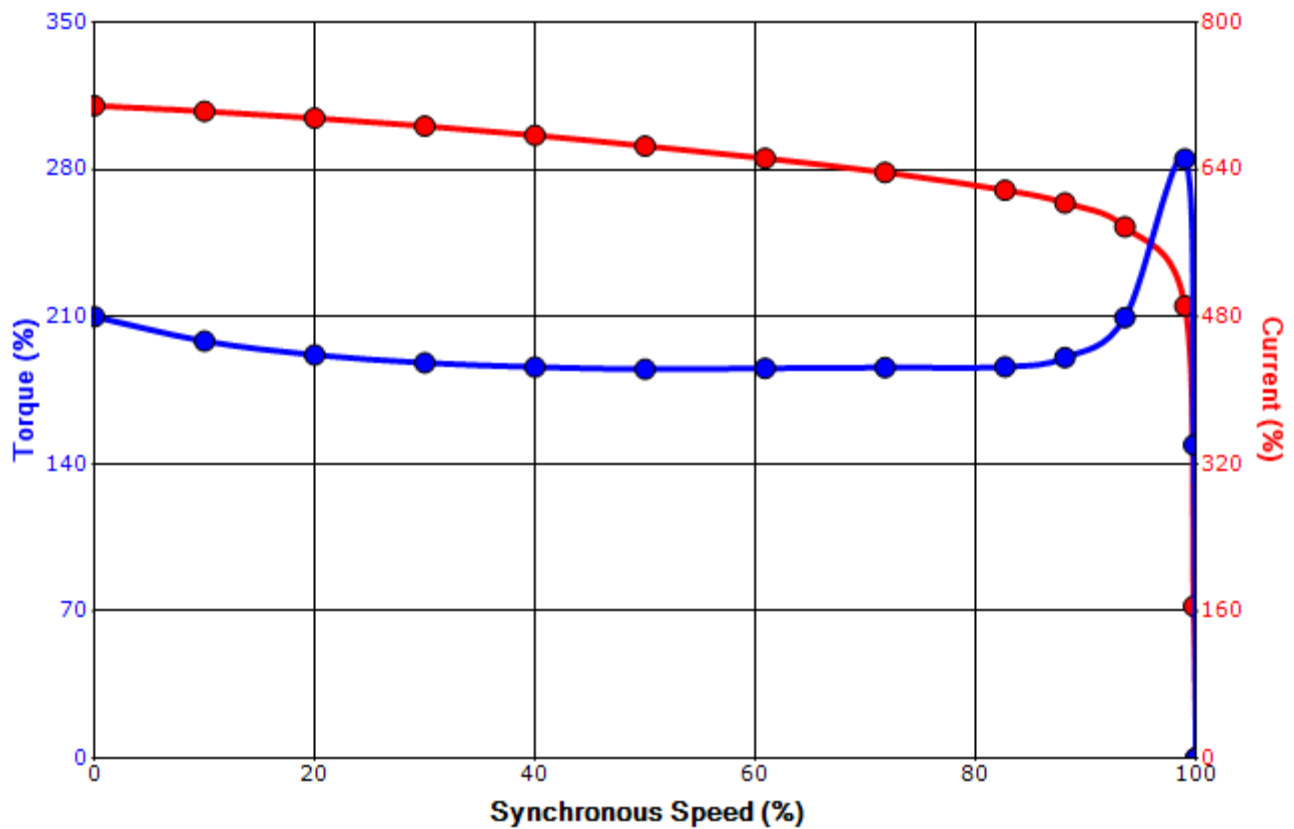
Engineering	SSuryani	Doc. Written By	D. Suarez	Doc.# / Rev	MPCF-1119 / 0
Engr. Date	12/17/2019	Doc. Approved By	M. Campbell	Doc. Issued	6/8/2011

SPEED TORQUE/CURRENT CURVE

Model: 3004QDSB41A-R

HP	kW	Pole	FL RPM	Frame	Voltage	Hz	Phase	FL Amps
300	224	4	1790	S587LQ	460	60	3	344
Enclosure	IP	Ins. Class	S.F.	Duty	NEMA Nom. Eff.	NEMA Design	kVA Code	Ambient (°C)
TEFC	54	F	1.15	CONT	96.2	A		40 C
Locked Rotor Amps	Rotor wk ² Inertia (lb-ft ²)	Torque						Break Down (%)
		Full Load (lb-ft)	Locked Rotor (%)	Pull Up (%)				
2440	188.47	880	210	185			285	

Design Values



Customer		wk ² Load Inertia (lb-ft ²)	-
Customer PO		Load Type	-
Sales Order		Voltage (%)	100
Project #		Accel. Time	-

Tag:

All characteristics are average expected values.

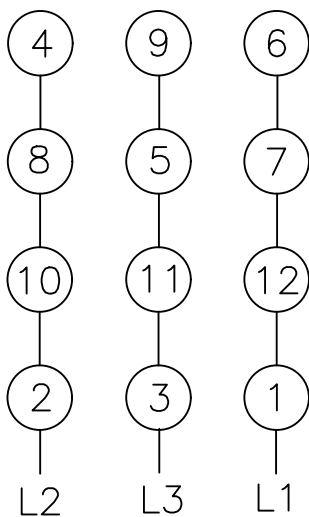
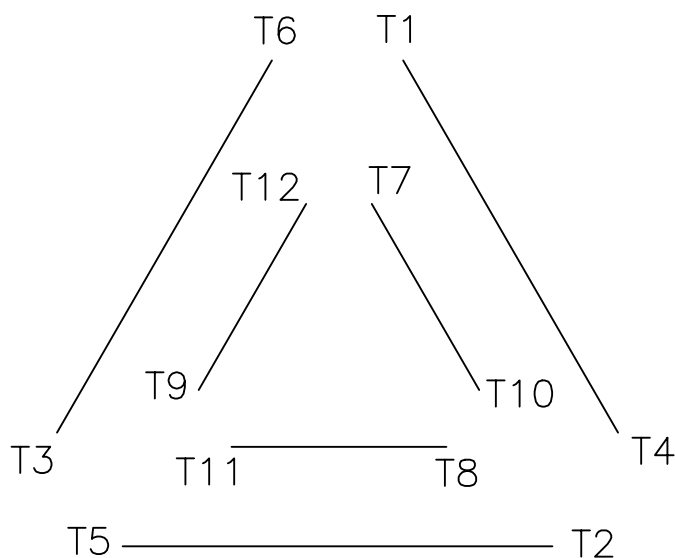
TOSHIBA INTERNATIONAL CORPORATION · HOUSTON, TEXAS U.S.A.

Engineering	SSuryani	Doc. Written By	D. Suarez	Doc.# / Rev	MPCF-1121 / 0
Engr. Date	12/17/2019	Doc. Approved By	M. Campbell	Doc. Issued	6/8/2011

Motor Connection Diagram

12 Leads

Single Voltage



Switch L1 and L2 to reverse rotation