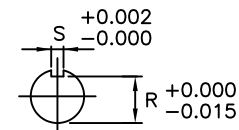
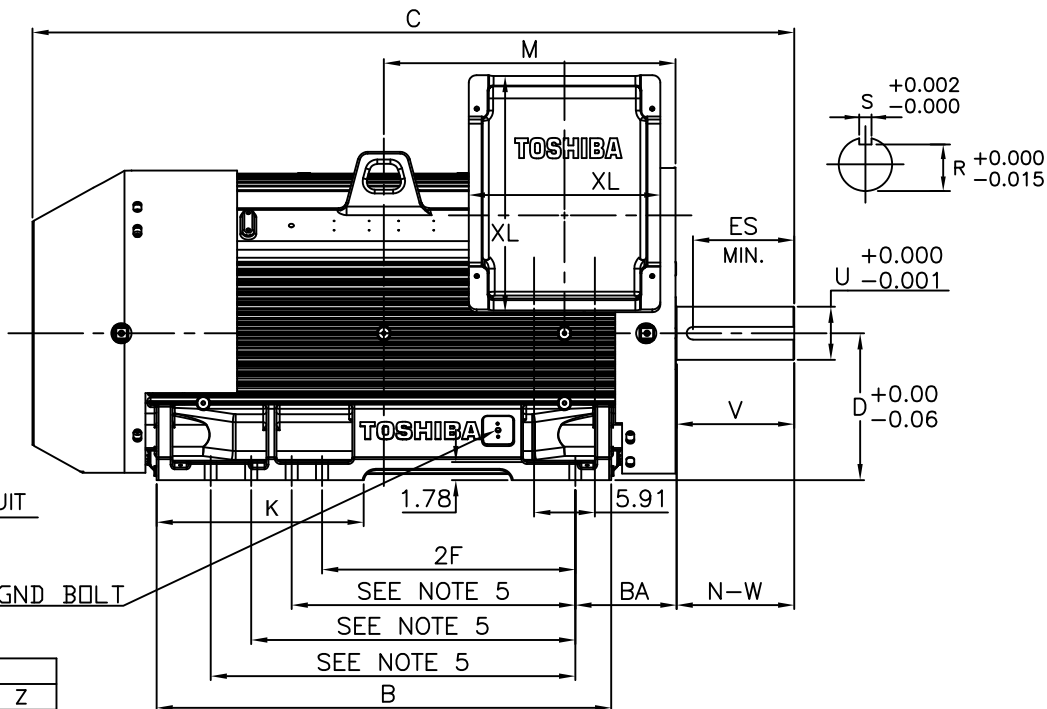
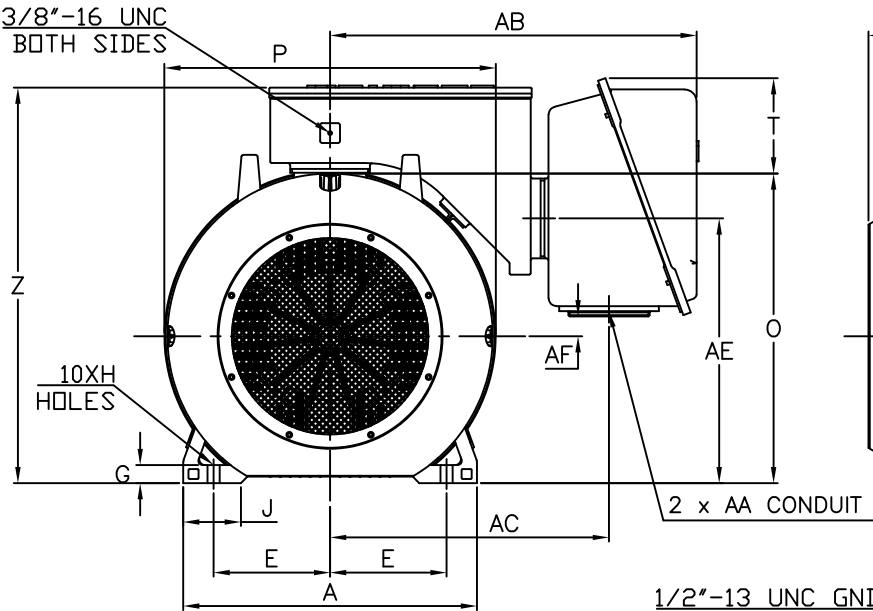


3/8"-16 UNC  
BOTH SIDES



UNITS: INCHES

FRAME SIZE	MOTOR DIMENSIONS												
	A	B	C	D	G	J	K	M	O	P	T	Z	
B587/8/9/10LL	29.0	45.0	75.2	14.5	1.78	5.7	20.4	28.8	30.6	32.7	9.3	39.2	
B587/8/9/10LQ	29.0	45.0	75.2	14.5	1.78	5.7	20.4	28.8	30.6	32.7	9.3	39.2	
B587/8/9/10LS	29.0	45.0	71.8	14.5	1.78	5.7	20.4	28.8	30.6	32.7	9.3	39.2	

FRAME SIZE	CONDUIT BOX							
	AA[NPT]	AB	AC	AE	AF	XL	XN	
B587/8/9/10LL/LQ/LS	3.00	36.2	27.5	26.1	1.97	23.5	18.9	

FRAME SIZE	MOUNTING				SHAFT EXTENSION			KEY SEAT			BEARINGS			MAXIMUM WEIGHT
	E	2F	H	BA	N-W	V	U	R	S	ES	LS ROLLER	LS BALL	OS BALL	
B587/8/9/10LL	11.5	25.0/28.0/32.0/36.0	1.19	10.0	11.625	11.56	5.25	4.550	1.00	10.00	NU328C3	6328C3	6320C3	8000 lbs.
B587/8/9/10LQ	11.5	25.0/28.0/32.0/36.0	1.19	10.0	11.625	11.56	4.375	3.817	1.00	10.00	NU324C3	6324C3	6320C3	8000 lbs.
B587/8/9/10LS	11.5	25.0/28.0/32.0/36.0	1.19	10.0	8.25	8.19	3.875	3.309	1.00	6.30	NU322C3	6322C3	6320C3	8000 lbs.

NOTES:

- DIMENSION V REPRESENTS LENGTH OF STRAIGHT PART OF SHAFT.
- MAIN CONDUIT BOX MAY BE ROTATED IN 90° INCREMENTS.
- "LL" KEY DIMENSIONS EQUAL S x S x 10.00  
"LQ" KEY DIMENSIONS EQUAL S x S x 10.00  
"LS" KEY DIMENSIONS EQUAL S x S x 6.30  
(MOTOR SUPPLIED WITH KEY)
- MOTOR WEIGHT SHOWN IS MAXIMUM HORSEPOWER IN FRAME.
- THIS DIMENSION EQUALS 2F FOR 587/8/9/10 MOUNTING.
- STANDARD PRODUCT USE BI-DIRECTIONAL FAN. OPPOSITE ROTATION AVAILABLE ONLY BY CONNECTION CHANGE.
- FRAME GROUND BOLT STANDARD.

CUSTOMER: \_\_\_\_\_ MOTOR MODEL NO.: \_\_\_\_\_

P.O. NO.: \_\_\_\_\_ HP: \_\_\_\_\_ VOLTAGE: \_\_\_\_\_ RPM(SYN.): \_\_\_\_\_ Hz: \_\_\_\_\_

FRAME SIZE: \_\_\_\_\_ PRODUCT TYPE: TEFC PREMIUM EFFICIENCY QUARRY DUTY

COMMENTS: \_\_\_\_\_

PER: \_\_\_\_\_ DATE: \_\_\_\_\_

TAG NO's: \_\_\_\_\_

- STANDARD (NO AUX. BOXES)
- RTD AUX. BOX
- SPACE HEATER AUX. BOX
- BEARING RTD's

TOSHIBA RESERVES THE RIGHT TO MAKE CHANGES OF TECHNICAL IMPROVEMENT AND THE DATA MAY CHANGE WITHOUT NOTICE  PRELIMINARY

DO NOT USE FOR CONSTRUCTION, INSTALLATION, OR APPLICATION PURPOSES UNLESS THE DRAWING IS MARKED AS CERTIFIED  CERTIFIED

# TOSHIBA

TOSHIBA INTERNATIONAL CORPORATION

TOTALLY-ENCLOSED FAN-COOLED  
HORIZONTAL FOOT-MOUNTED  
3 PHASE INDUCTION MOTOR  
F1 ASSEMBLY

## XT SERIES

VISIT OUR WEBSITE AT:  
www.toshiba.com/ind

**TYPICAL MOTOR PERFORMANCE DATA**

Model: 5004QDSB41A-R

HP	kW	Pole	FL RPM	Frame	Voltage	Hz	Phase	FL Amps
500	373	4	1785	B587LL	460	60	3	589
Enclosure	IP	Ins. Class	S.F.	Duty	NEMA Nom. Eff.	NEMA Design	kVA Code	Ambient (°C)
TEFC	54	F	1.15	CONT	95.4	A		40 C

Load	HP	kW	Amperes	Efficiency (%)	Power Factor (%)
Full Load	500.00	372.9	589	96.0	82.8
¾ Load	375.00	279.6	457	95.2	80.6
½ Load	250.00	186.4	335	93.5	74.6
¼ Load	125.00	93.2	232	88.4	56.9
No Load			189.1		4.1
Locked Rotor			4454		26.4

Torque				Rotor wk <sup>2</sup> Inertia (lb-ft <sup>2</sup> )
Full Load (lb-ft)	Locked Rotor (% FLT)	Pull Up (% FLT)	Break Down (% FLT)	
1471	220	175	345	333.94

Safe Stall Time(s)		Sound Pressure dB(A) @ 1M	Bearings*		Approx. Motor Weight (lbs)
Cold	Hot		DE	NDE	
25	15	85	NU328C3	6320C3	

\*Bearings are the only recommended spare part(s).

**Motor Options:**  
Product Family:Quarry  
Mounting:Footed,Shaft:LL IEC Frame  
Motor Specification:Quarry Duty

Customer	
Customer PO	
Sales Order	
Project #	

Tag:

All characteristics are average expected values.

**TOSHIBA INTERNATIONAL CORPORATION · HOUSTON, TEXAS U.S.A.**

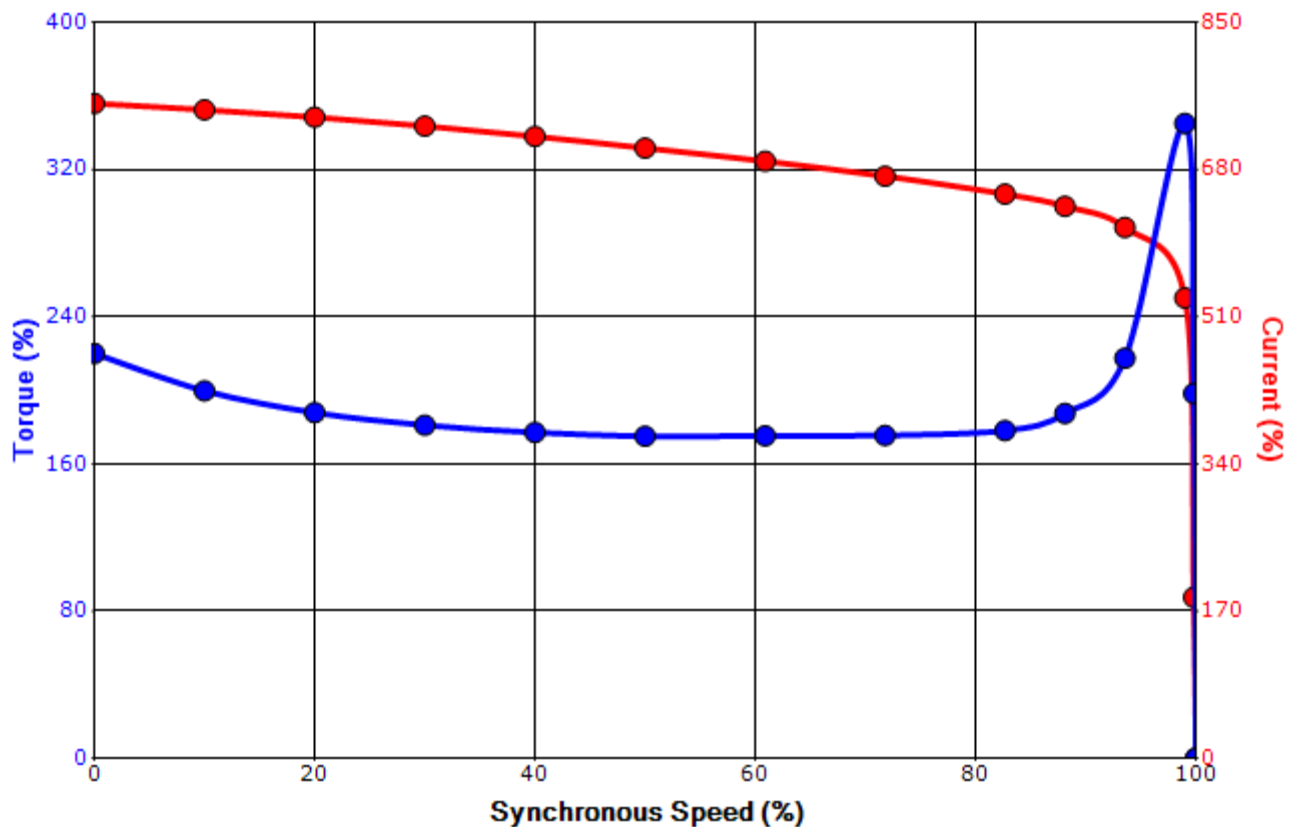
Engineering	SSuryani	Doc. Written By	D. Suarez	Doc.# / Rev	MPCF-1119 / 0
Engr. Date	8/10/2020	Doc. Approved By	M. Campbell	Doc. Issued	6/8/2011

**SPEED TORQUE/CURRENT CURVE**

Model: 5004QDSB41A-R

HP	kW	Pole	FL RPM	Frame	Voltage	Hz	Phase	FL Amps
500	373	4	1785	B587LL	460	60	3	589
Enclosure	IP	Ins. Class	S.F.	Duty	NEMA Nom. Eff.	NEMA Design	kVA Code	Ambient (°C)
TEFC	54	F	1.15	CONT	95.4	A		40 C
Locked Rotor Amps	Rotor wk <sup>2</sup> Inertia (lb-ft <sup>2</sup> )	Torque						Break Down (%)
		Full Load (lb-ft)	Locked Rotor (%)	Pull Up (%)				
4454	333.94	1471	220	175			345	

**Design Values**



Customer		wk <sup>2</sup> Load Inertia (lb-ft <sup>2</sup> )	-
Customer PO		Load Type	-
Sales Order		Voltage (%)	100
Project #		Accel. Time	-

Tag:

All characteristics are average expected values.

**TOSHIBA INTERNATIONAL CORPORATION · HOUSTON, TEXAS U.S.A.**

Engineering	SSuryani	Doc. Written By	D. Suarez	Doc.# / Rev	MPCF-1121 / 0
Engr. Date	8/10/2020	Doc. Approved By	M. Campbell	Doc. Issued	6/8/2011

# Motor Connection Diagram

## 12 Leads

### Single Voltage



Switch L1 and L2 to reverse rotation