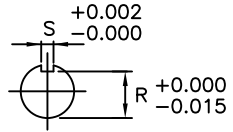
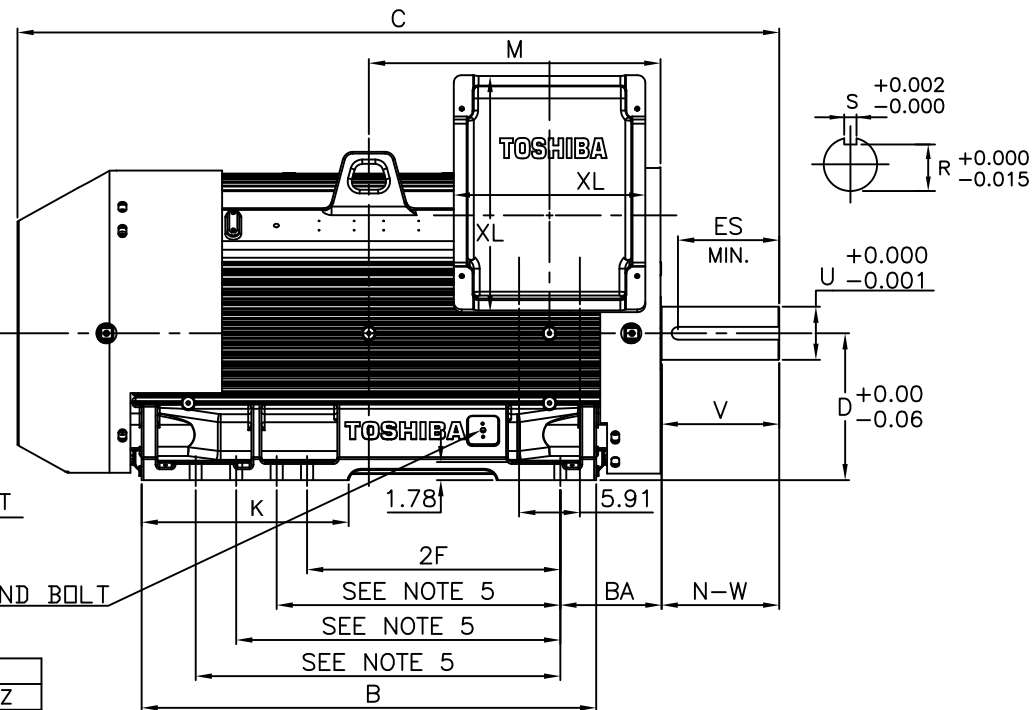
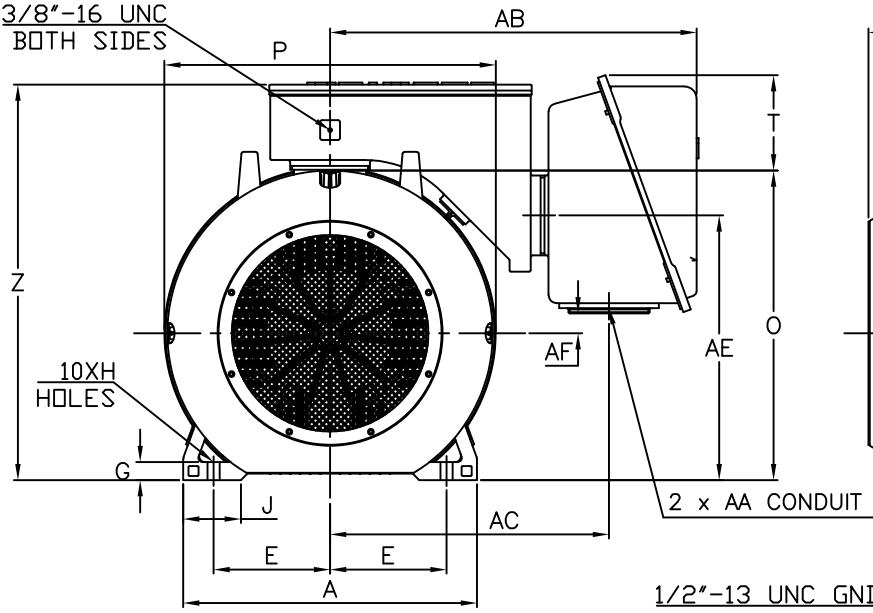


3/8"-16 UNC  
BOTH SIDES



UNITS: INCHES

| FRAME SIZE    | MOTOR DIMENSIONS |      |      |      |      |     |      |      |      |      |     |      |  |
|---------------|------------------|------|------|------|------|-----|------|------|------|------|-----|------|--|
|               | A                | B    | C    | D    | G    | J   | K    | M    | O    | P    | T   | Z    |  |
| B587/8/9/10LL | 29.0             | 45.0 | 75.2 | 14.5 | 1.78 | 5.7 | 20.4 | 28.8 | 30.6 | 32.7 | 9.3 | 39.2 |  |
| B587/8/9/10LQ | 29.0             | 45.0 | 75.2 | 14.5 | 1.78 | 5.7 | 20.4 | 28.8 | 30.6 | 32.7 | 9.3 | 39.2 |  |
| B587/8/9/10LS | 29.0             | 45.0 | 71.8 | 14.5 | 1.78 | 5.7 | 20.4 | 28.8 | 30.6 | 32.7 | 9.3 | 39.2 |  |

| FRAME SIZE          | CONDUIT BOX |      |      |      |      |      |      |  |
|---------------------|-------------|------|------|------|------|------|------|--|
|                     | AA[NPT]     | AB   | AC   | AE   | AF   | XL   | XN   |  |
| B587/8/9/10LL/LQ/LS | 3.00        | 36.2 | 27.5 | 26.1 | 1.97 | 23.5 | 18.9 |  |

| FRAME SIZE    | MOUNTING |                     |      |      | SHAFT EXTENSION |       |       | KEY SEAT |      |       | BEARINGS  |         |         | MAXIMUM WEIGHT |
|---------------|----------|---------------------|------|------|-----------------|-------|-------|----------|------|-------|-----------|---------|---------|----------------|
|               | E        | 2F                  | H    | BA   | N-W             | V     | U     | R        | S    | ES    | LS ROLLER | LS BALL | OS BALL |                |
| B587/8/9/10LL | 11.5     | 25.0/28.0/32.0/36.0 | 1.19 | 10.0 | 11.625          | 11.56 | 5.25  | 4.550    | 1.00 | 10.00 | NU328C3   | 6328C3  | 6320C3  | 8000 lbs.      |
| B587/8/9/10LQ | 11.5     | 25.0/28.0/32.0/36.0 | 1.19 | 10.0 | 11.625          | 11.56 | 4.375 | 3.817    | 1.00 | 10.00 | NU324C3   | 6324C3  | 6320C3  | 8000 lbs.      |
| B587/8/9/10LS | 11.5     | 25.0/28.0/32.0/36.0 | 1.19 | 10.0 | 8.25            | 8.19  | 3.875 | 3.309    | 1.00 | 6.30  | NU322C3   | 6322C3  | 6320C3  | 8000 lbs.      |

- NOTES:
1. DIMENSION V REPRESENTS LENGTH OF STRAIGHT PART OF SHAFT.
  2. MAIN CONDUIT BOX MAY BE ROTATED IN 90° INCREMENTS.
  3. "LL" KEY DIMENSIONS EQUAL S x S x 10.00  
"LQ" KEY DIMENSIONS EQUAL S x S x 10.00  
"LS" KEY DIMENSIONS EQUAL S x S x 6.30  
(MOTOR SUPPLIED WITH KEY)
  4. MOTOR WEIGHT SHOWN IS MAXIMUM HORSEPOWER IN FRAME.
  5. THIS DIMENSION EQUALS 2F FOR 587/8/9/10 MOUNTING.
  6. STANDARD PRODUCT USE BI-DIRECTIONAL FAN. OPPOSITE ROTATION AVAILABLE ONLY BY CONNECTION CHANGE.
  7. FRAME GROUND BOLT STANDARD.

CUSTOMER: \_\_\_\_\_ MOTOR MODEL NO.: \_\_\_\_\_

P.O. NO.: \_\_\_\_\_ HP: \_\_\_\_\_ VOLTAGE: \_\_\_\_\_ RPM(SYN.): \_\_\_\_\_ Hz: \_\_\_\_\_

FRAME SIZE: \_\_\_\_\_ PRODUCT TYPE: TEFC PREMIUM EFFICIENCY QUARRY DUTY

COMMENTS: \_\_\_\_\_

PER: \_\_\_\_\_ DATE: \_\_\_\_\_

TAG NO's: \_\_\_\_\_

- STANDARD (NO AUX. BOXES)
- RTD AUX. BOX
- SPACE HEATER AUX. BOX
- BEARING RTD's

TOSHIBA RESERVES THE RIGHT TO MAKE CHANGES OF TECHNICAL IMPROVEMENT AND THE DATA MAY CHANGE WITHOUT NOTICE  PRELIMINARY

DO NOT USE FOR CONSTRUCTION, INSTALLATION, OR APPLICATION PURPOSES UNLESS THE DRAWING IS MARKED AS CERTIFIED  CERTIFIED

**TOSHIBA**  
TOSHIBA INTERNATIONAL CORPORATION

TOTALLY-ENCLOSED FAN-COOLED  
HORIZONTAL FOOT-MOUNTED  
3 PHASE INDUCTION MOTOR  
F1 ASSEMBLY

**XT SERIES**  
VISIT OUR WEBSITE AT:  
www.toshiba.com/ind

**TYPICAL MOTOR PERFORMANCE DATA**

Model: 7504QDSB31A-R

| HP        | kW  | Pole       | FL RPM | Frame  | Voltage        | Hz          | Phase    | FL Amps      |
|-----------|-----|------------|--------|--------|----------------|-------------|----------|--------------|
| 750       | 560 | 4          | 1790   | B587LL | 460            | 60          | 3        | 898          |
| Enclosure | IP  | Ins. Class | S.F.   | Duty   | NEMA Nom. Eff. | NEMA Design | kVA Code | Ambient (°C) |
| TEFC      | 54  | F          | 1.0    | CONT   | 96.2           | -           |          | 40 C         |

| Load         | HP     | kW    | Amperes | Efficiency (%) | Power Factor (%) |
|--------------|--------|-------|---------|----------------|------------------|
| Full Load    | 750.00 | 559.3 | 898     | 96.3           | 81.2             |
| ¾ Load       | 562.50 | 419.5 | 702     | 95.7           | 78.4             |
| ½ Load       | 375.00 | 279.6 | 522     | 94.3           | 71.3             |
| ¼ Load       | 187.50 | 139.8 | 377     | 89.9           | 51.8             |
| No Load      |        |       | 325.9   |                | 3.0              |
| Locked Rotor |        |       | 6671    |                | 26.8             |

| Torque               |                         |                    |                       | Rotor wk <sup>2</sup><br>Inertia<br>(lb-ft <sup>2</sup> ) |
|----------------------|-------------------------|--------------------|-----------------------|---|
| Full Load<br>(lb-ft) | Locked Rotor<br>(% FLT) | Pull Up<br>(% FLT) | Break Down<br>(% FLT) |   |
| 2202                 | 225                     | 185                | 345                   | 378.47  |

| Safe Stall Time(s) |     | Sound Pressure<br>dB(A) @ 1M | Bearings* |        | Approx. Motor Weight<br>(lbs) |
|--------------------|-----|------------------------------|-----------|--------|-------------------------------|
| Cold               | Hot |                              | DE        | NDE    |                               |
| 18                 | 10  | 85                           | NU328C3   | 6320C3 |                               |

\*Bearings are the only recommended spare part(s).

**Motor Options:**  
Product Family:Quarry  
Mounting:Footed,Shaft:LL IEC Frame  
Motor Specification:Quarry Duty

|             |  |
|-------------|--|
| Customer    |  |
| Customer PO |  |
| Sales Order |  |
| Project #   |  |

Tag:

All characteristics are average expected values.

**TOSHIBA INTERNATIONAL CORPORATION · HOUSTON, TEXAS U.S.A.**

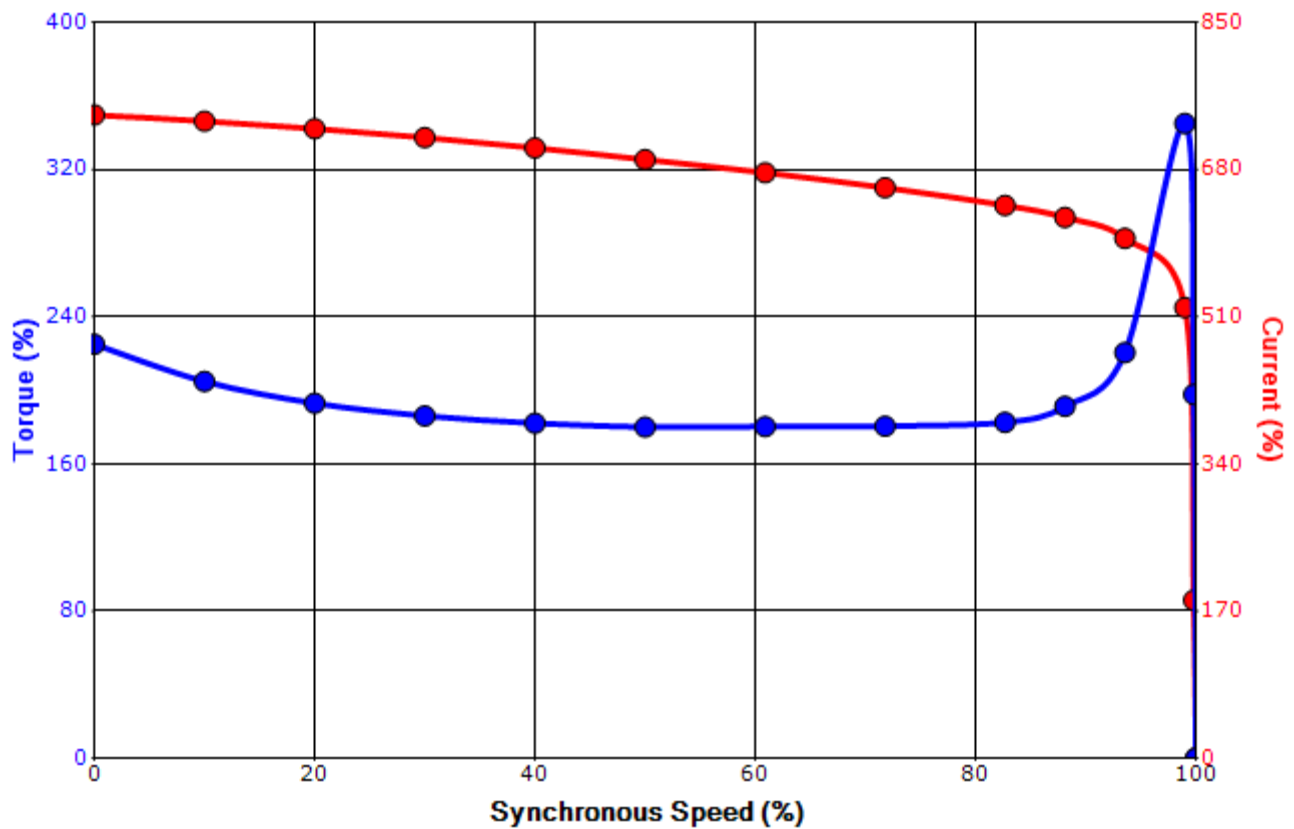
|             |           |                  |             |             |               |
|-------------|-----------|------------------|-------------|-------------|---------------|
| Engineering | SSuryani  | Doc. Written By  | D. Suarez   | Doc.# / Rev | MPCF-1119 / 0 |
| Engr. Date  | 6/16/2020 | Doc. Approved By | M. Campbell | Doc. Issued | 6/8/2011      |

**SPEED TORQUE/CURRENT CURVE**

Model: 7504QDSB31A-R

|                   |   |                   |                  |             |                |             |          |                |
|-------------------|---|-------------------|------------------|-------------|----------------|-------------|----------|----------------|
| HP                | kW  | Pole              | FL RPM           | Frame       | Voltage        | Hz          | Phase    | FL Amps        |
| 750               | 560   | 4                 | 1790             | B587LL      | 460            | 60          | 3        | 898            |
| Enclosure         | IP  | Ins. Class        | S.F.             | Duty        | NEMA Nom. Eff. | NEMA Design | kVA Code | Ambient (°C)   |
| TEFC              | 54  | F                 | 1.0              | CONT        | 96.2           | -           |          | 40 C           |
| Locked Rotor Amps | Rotor wk <sup>2</sup> Inertia (lb-ft <sup>2</sup> ) | Torque            |                  |             |                |             |          | Break Down (%) |
|                   |   | Full Load (lb-ft) | Locked Rotor (%) | Pull Up (%) |                |             |          |                |
| 6671              | 378.47  | 2202              | 225              | 185         |                |             | 345      |                |

**Design Values**



|             |  |  |     |
|-------------|--|--|-----|
| Customer    |  | wk <sup>2</sup> Load Inertia (lb-ft <sup>2</sup> ) | -   |
| Customer PO |  | Load Type  | -   |
| Sales Order |  | Voltage (%)  | 100 |
| Project #   |  | Accel. Time  | -   |

Tag:

All characteristics are average expected values.

**TOSHIBA INTERNATIONAL CORPORATION · HOUSTON, TEXAS U.S.A.**

|             |           |                  |             |             |               |
|-------------|-----------|------------------|-------------|-------------|---------------|
| Engineering | SSuryani  | Doc. Written By  | D. Suarez   | Doc.# / Rev | MPCF-1121 / 0 |
| Engr. Date  | 6/16/2020 | Doc. Approved By | M. Campbell | Doc. Issued | 6/8/2011      |

# Motor Connection Diagram

## 12 Leads

### Single Voltage



Switch L1 and L2 to reverse rotation