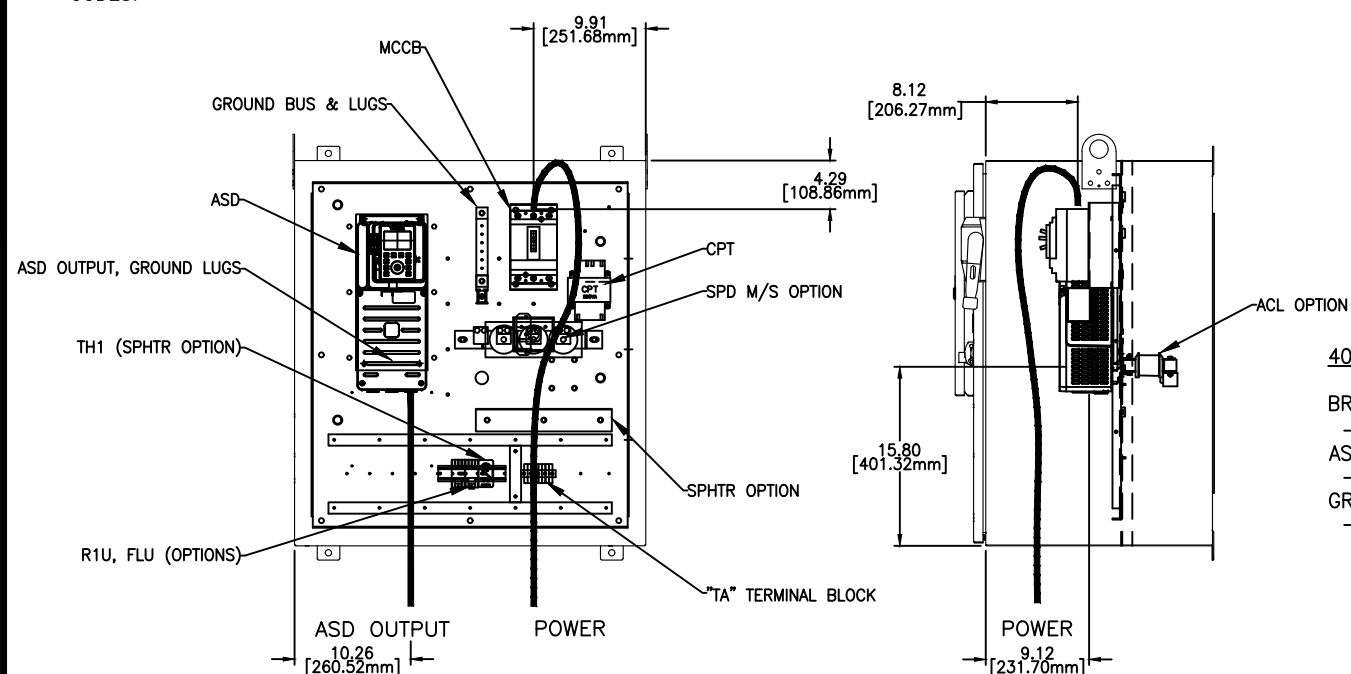


DIMENSIONS ARE FOR REFERENCE ONLY. IN[mm]

FIELD WIRING NOTE:
 - FOLLOW LOCAL APPLICABLE COMPLIANCE CODES.



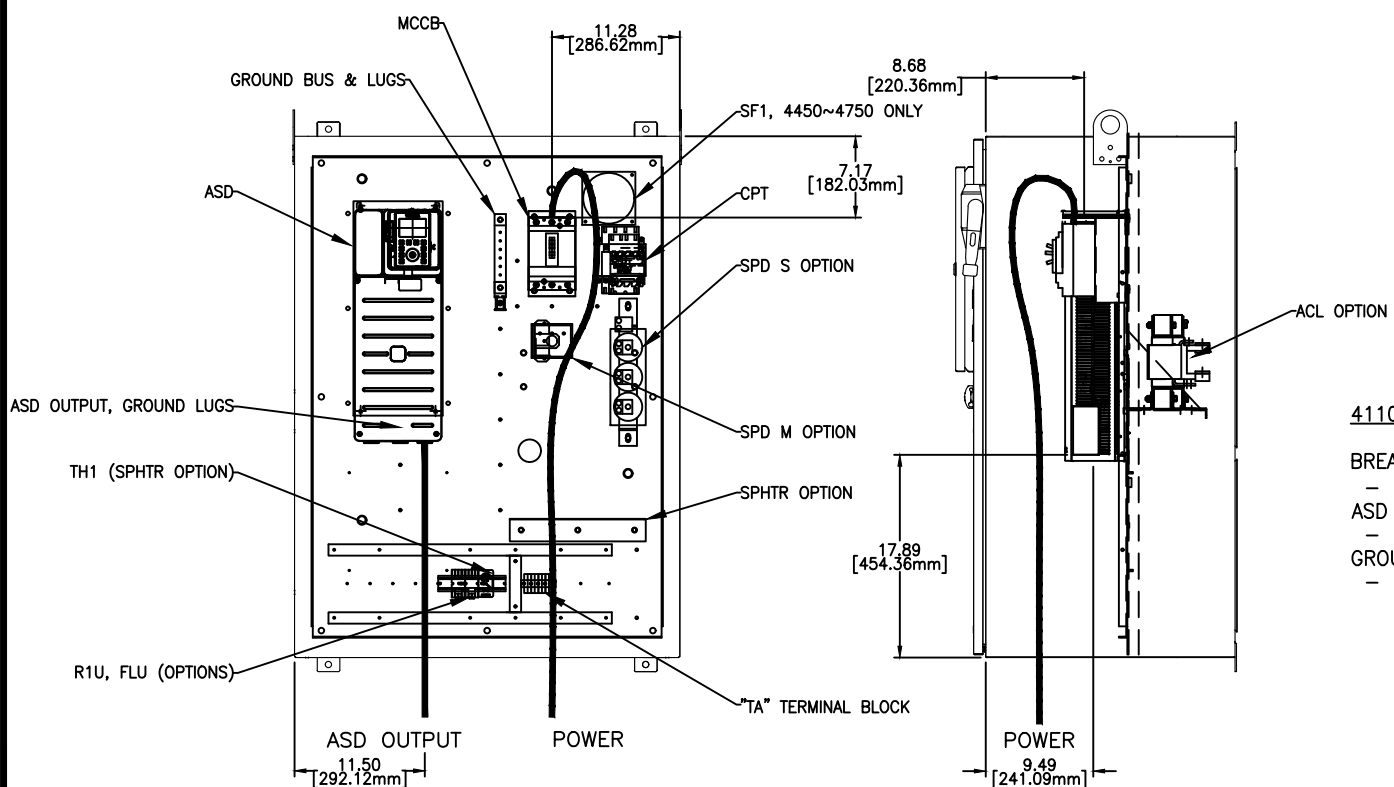
4055~4075

BREAKER TERMINAL RANGE:
 - (1)14~3/0 CU PER Ø
 ASD OUTPUT CABLE:
 - SEE TABLE
 GROUND CABLE:
 - SEE TABLE

4900~4132K

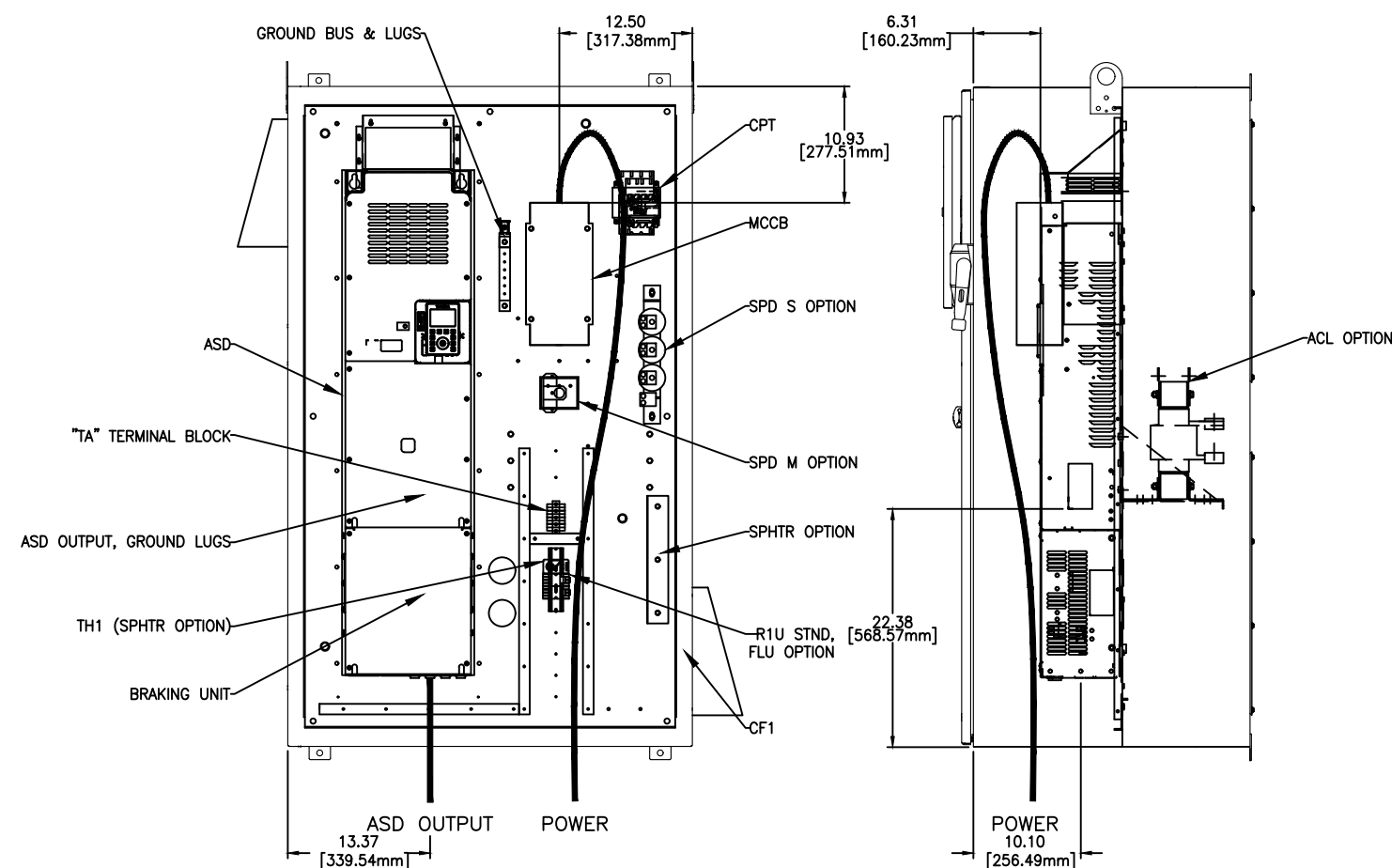
BREAKER TERMINAL RANGE:
 - (2)2/0~500KCMIL CU PER Ø
 ASD OUTPUT CABLE:
 - SEE TABLE
 GROUND CABLE:
 - SEE TABLE

RECOMMENDED FIELD WIRE SIZE			
MODEL	HP (HD/ND)	OUTPUT CABLES	GND
4055	7.5/10	AWG10	AWG14
4075	10/15	AWG10	AWG10
4110	15/20	AWG8	AWG10
4150	20/25	AWG8	AWG10
4185	25/30	AWG6	AWG10
4220	30/40	AWG4	AWG10
4300	40/50	AWG3	AWG8
4370	50/60	AWG1	AWG8
4450	60/75	AWG 1/0	AWG6
4550	75/100	AWG 3/0	AWG6
4750	100/125	250MCM	AWG6
4900	125/150	AWG1/0x2	AWG4
4110K	150/200	AWG2/0x2	AWG4
4132K	200/250	AWG4/0x2	AWG4



4110~4750(4110~4185 SHOWN)

BREAKER TERMINAL RANGE:
 - (1)14~3/0 CU PER Ø
 ASD OUTPUT CABLE:
 - SEE TABLE
 GROUND CABLE:
 - SEE TABLE



4					
3					
2					
1					
0	09/03/21	FIRST ISSUE	E.YANG	S.EARY	J.ONG
REV	DATE	DESCRIPTION	BY	CHK	APPR

TOSHIBA
 TOSHIBA INTERNATIONAL CORPORATION
 MADE IN HOUSTON, TEXAS U.S.A.

THIS MATERIAL IS THE EXCLUSIVE PROPERTY OF TOSHIBA INTERNATIONAL CORPORATION AND SHALL NOT BE REPRODUCED, USED, OR DISCLOSED TO OTHERS UNLESS PRIOR WRITTEN AUTHORIZATION IS OBTAINED.

TITLE:
 PANEL LAYOUT
 AS3P4(055~132K)AA

REVISION: 0 SCALE: 1.0=18.0

DRAWING NUMBER:
 1808WG18