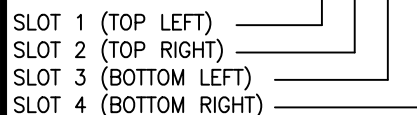


ENCLOSURE NOTES:
 - ENVIRONMENTAL RATING: UL TYPE 3R
 - PAINT COLOR: WHITE

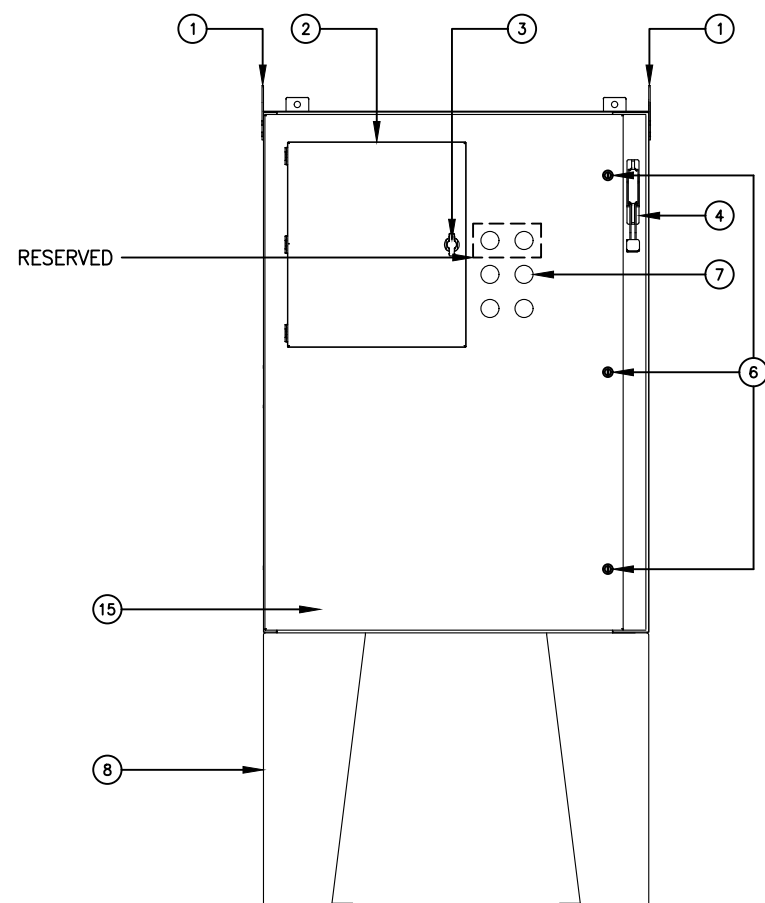
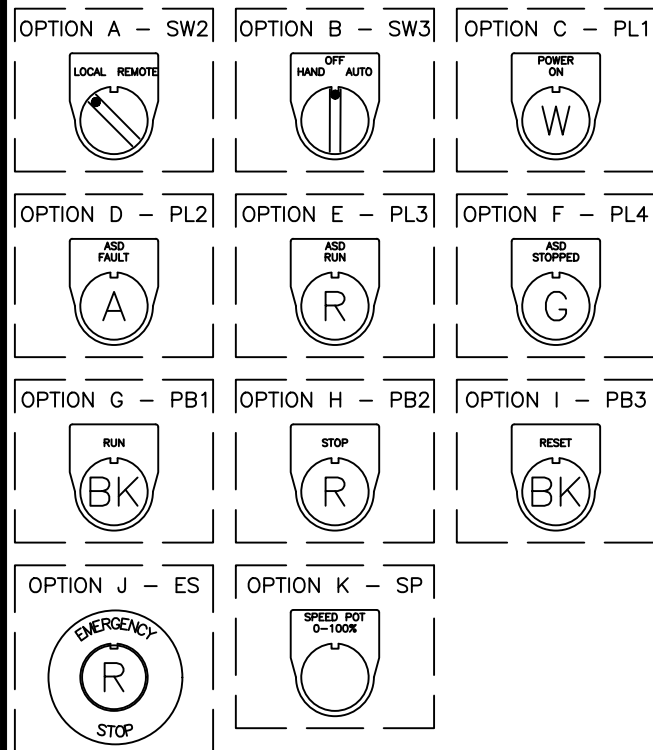
DIMENSIONS ARE FOR REFERENCE ONLY. IN[mm]

CONTROL OPTION NOTE:
 DEVICE PLACEMENT IS DETERMINED BY THESE DIGITS OF UNIT PART NUMBER

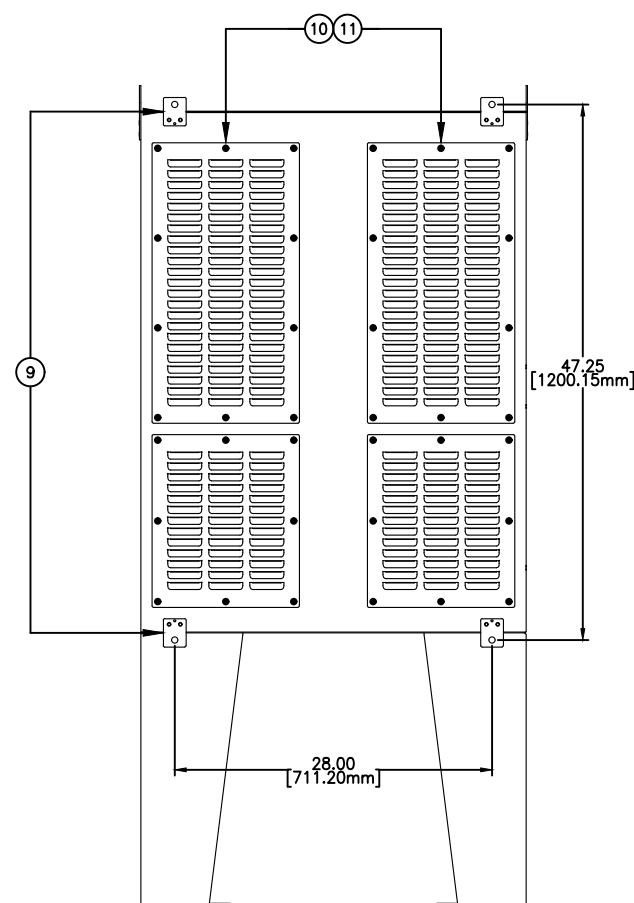
AS3P4__AA__[-_-]__



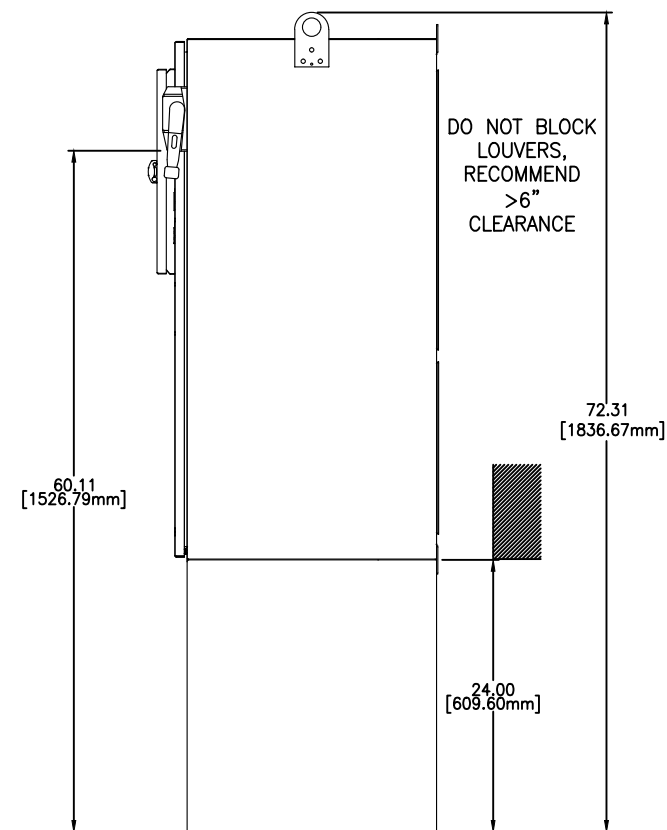
OPTIONAL 30mm CONTROL DEVICE DETAILS



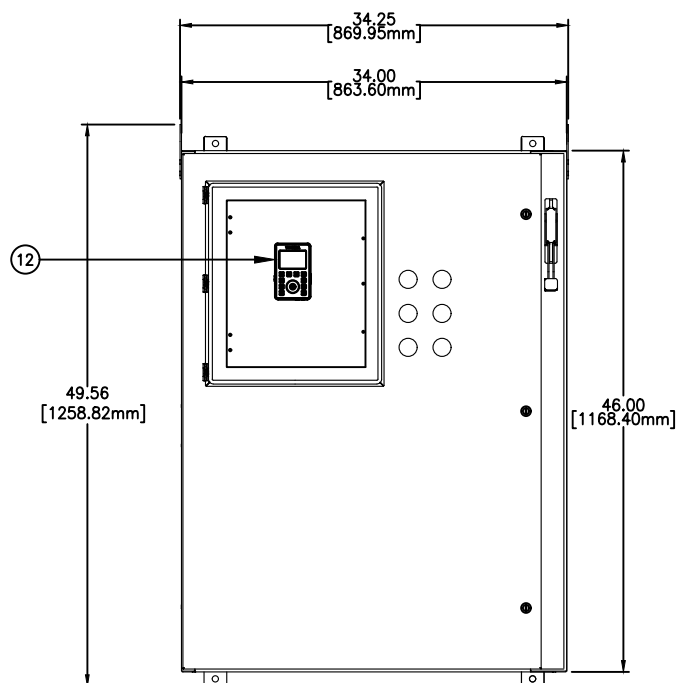
FRONT VIEW



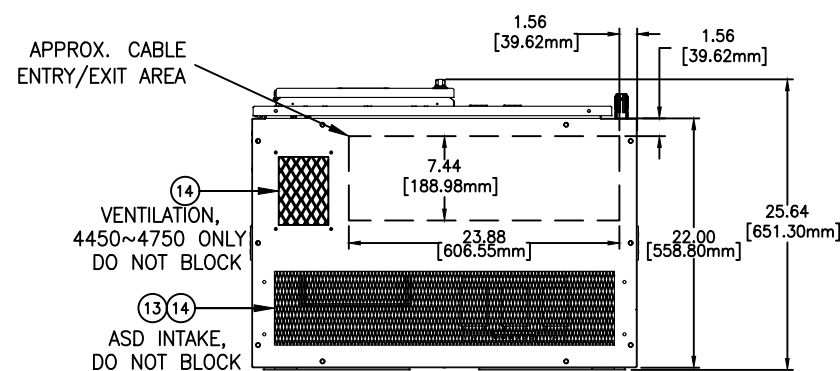
REAR VIEW



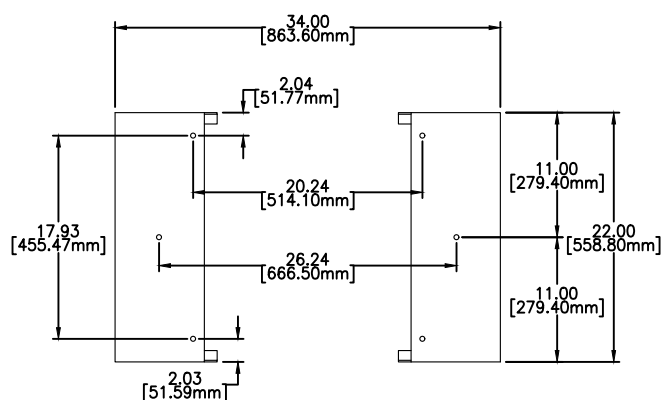
RIGHT SIDE VIEW



FRONT OF ENCL W/ EOI SHOWN



BOTTOM VIEW W/O LEG STAND KIT



LEG STAND KIT MOUNTING

ITEM	DESCRIPTION
1	LIFTING EAR
2	HINGED CONTROL DOOR
3	1/4 TURN LATCH, PADLOCK CAPABLE
4	CIRCUIT DISCONNECT SWITCH
5	N/A
6	SLOTTED 1/4 TURN LATCH
7	HOLE PLUGS/PILOT DEVICE HOLE
8	LEG STAND
9	MOUNTING TAB
10	LOUVER PANEL
11	MESH FILTER
12	OPERATOR KEYPAD (EOI)
13	EXPANDED METAL/ASD HEATSINK INTAKE
14	MESH FILTER
15	DOOR STOP (INTERNAL)
16	N/A
17	N/A
18	N/A
19	N/A
20	N/A

REV	DATE	DESCRIPTION	BY	CHK	APPR
4					
3	04/15/19	ECN05215 ADDED SP OPTION, REV DR LATCH	E.YANG	S.EARY	A.LEUNG
2	11/14/18	REV CTRL OP CODE, ADD REF DIMS	E.YANG	S.EARY	A.LEUNG
1	09/21/18	REV CTRL OP CODE, BOT FILTER	E.YANG	S.EARY	A.LEUNG
0	05/07/18	FIRST ISSUE	E.YANG	S.EARY	A.LEUNG

TOSHIBA
 TOSHIBA INTERNATIONAL CORPORATION
 MADE IN HOUSTON, TEXAS U.S.A.

THIS MATERIAL IS THE EXCLUSIVE PROPERTY OF TOSHIBA INTERNATIONAL CORPORATION AND SHALL NOT BE REPRODUCED, USED, OR DISCLOSED TO OTHERS UNLESS PRIOR WRITTEN AUTHORIZATION IS OBTAINED.

TITLE:
 ENCLOSURE OUTLINE
 AS3P4(110~750)AA

REVISION: 3	SCALE: 1.0=18.0
DRAWING NUMBER: 1808WG21	