

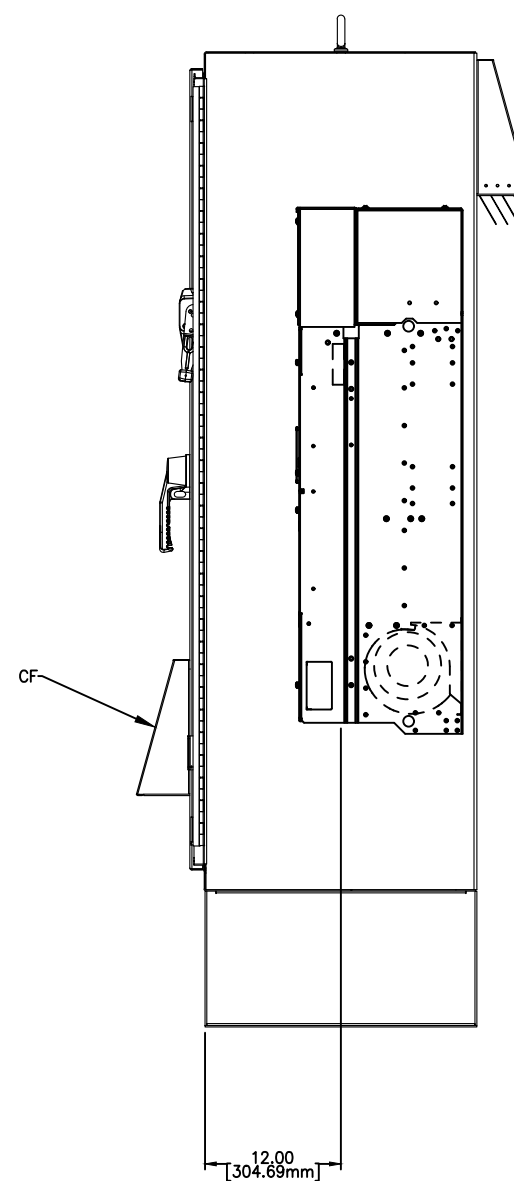
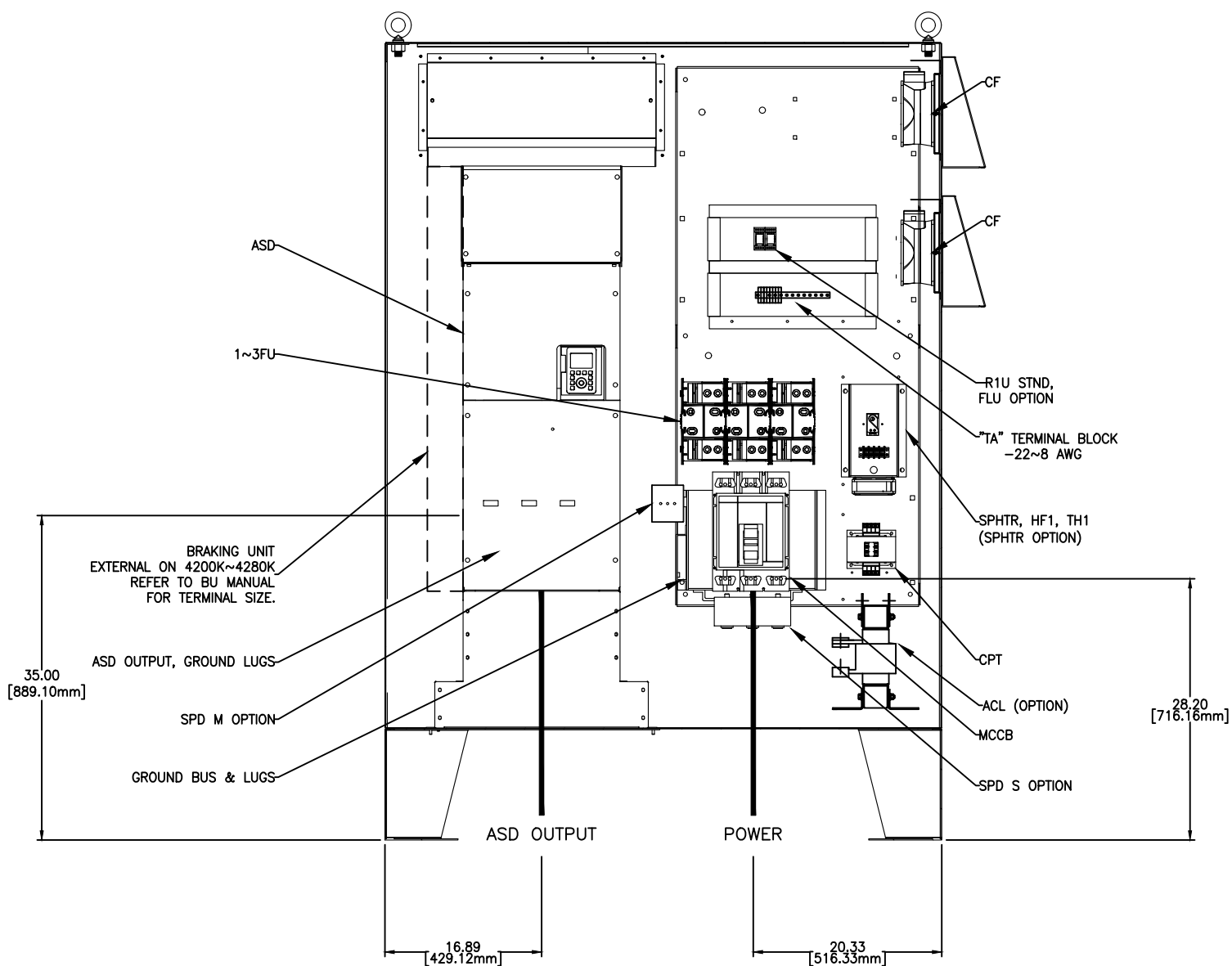
DIMENSIONS ARE FOR REFERENCE ONLY. IN[mm]

FIELD WIRING NOTE:
 - FOLLOW LOCAL APPLICABLE COMPLIANCE CODES.

RECOMMENDED FIELD WIRE SIZE			
MODEL	HP (HD/ND)	OUTPUT CABLES	GND
4160K	250/350	350MCMX2	AWG 2/0
4200K	300/400	250MCMX3	AWG 2/0
4220K	350/450	300MCMX3	AWG 3/0
4280K	450/500	350MCMX3	AWG 3/0

4(160~280)K [4160K SHOWN]

BREAKER TERMINAL RANGE:
 - (3)3/0~500KCIL CU PER Ø
 ASD OUTPUT CABLE:
 - SEE TABLE
 GROUND CABLE:
 - SEE TABLE



REV	DATE	DESCRIPTION	BY	CHK	APPR
4	09/03/21	CONVERT TO 4(160~280)K	E.YANG	S.EARY	J.ONG
3	11/24/19	REMOVED ROTARY CB HANDLE FROM A6	E.YANG	S.EARY	A.LEUNG
2	11/14/18	ECN04524 REVISED TA	E.YANG	S.EARY	A.LEUNG
1	09/21/18	ADDED SF1 TO 75~100HP, REV TABLE, CB	E.YANG	S.EARY	A.LEUNG
0	05/07/18	FIRST ISSUE	E.YANG	S.EARY	A.LEUNG

TOSHIBA
 TOSHIBA INTERNATIONAL CORPORATION
 MADE IN HOUSTON, TEXAS U.S.A.

THIS MATERIAL IS THE EXCLUSIVE PROPERTY OF TOSHIBA INTERNATIONAL CORPORATION AND SHALL NOT BE REPRODUCED, USED, OR DISCLOSED TO OTHERS UNLESS PRIOR WRITTEN AUTHORIZATION IS OBTAINED.

TITLE:
 PANEL LAYOUT
 AS3P4(160~280)KAA

REVISION: 4	SCALE: 1.0=18.0
DRAWING NUMBER: 1808WG19	