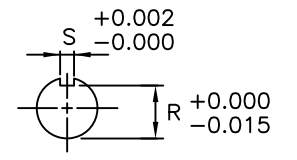
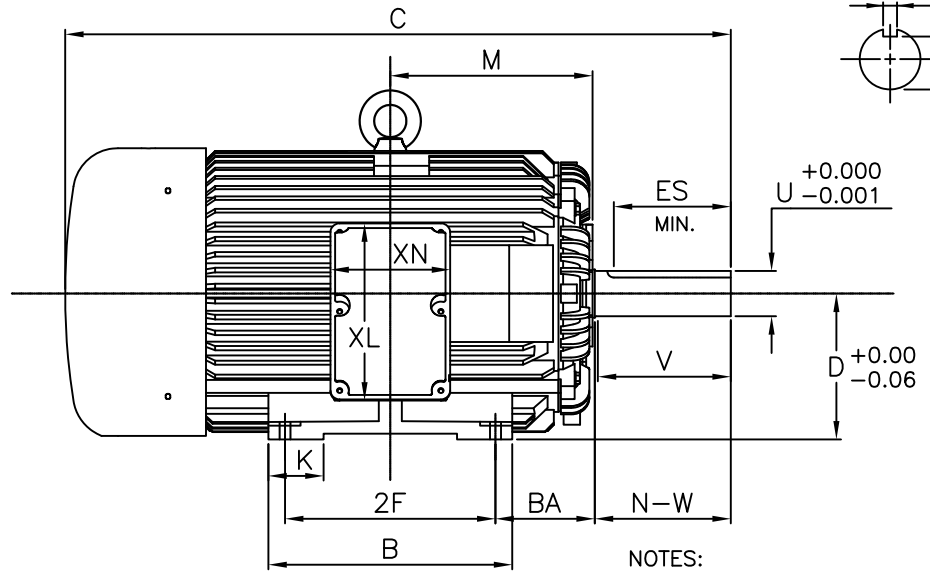
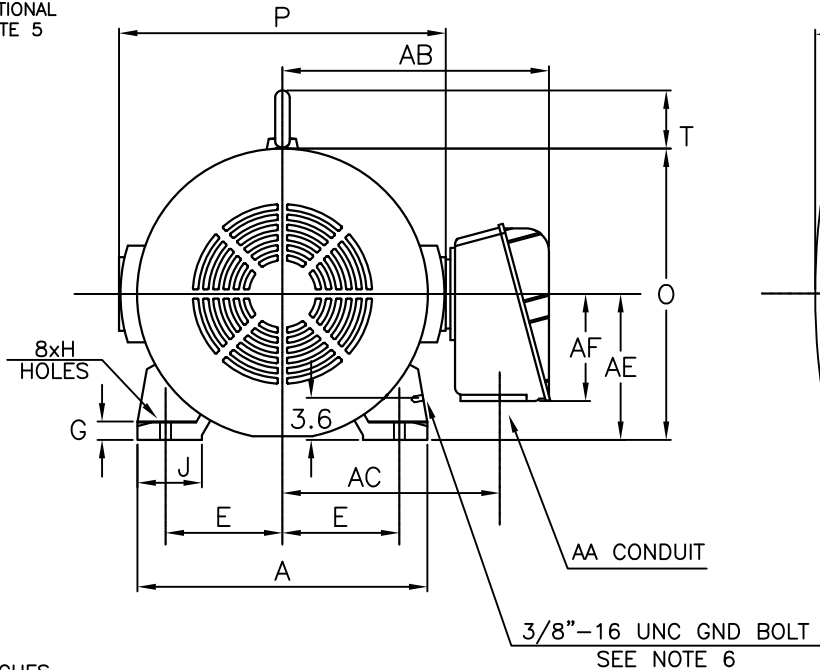


ROTATION
UNITS
BI-DIRECTIONAL
SEE NOTE 5



- NOTES:
1. DIMENSION V REPRESENTS LENGTH OF STRAIGHT PART OF SHAFT
 2. MAIN CONDUIT BOX MAY BE ROTATED IIN 90° INCREMENTS
 3. KEY DIMENSIONS EQUAL S x S x 10.00 FOR UZ AND S x S x 3.00 FOR US (MOTOR SUPPLIED WITH KEY)
 4. MOTOR WEIGHT SHOWN IS MAXIMUM HORSEPOWER IN FRAME
 5. STANDARD PRODUCT USE BI-DIRECTIONAL FAN. OPPOSITE ROTATION AVAILABLE ONLY BY CONNECTION CHANGE
 6. FRAME GROUND BOLT STANDARD ON 841 PRODUCT

UNITS: INCHES

| FRAME SIZE | MOTOR DIMENSIONS | | | | | | | | | | | CONDUIT BOX | | | | | | |
|------------|------------------|------|------|-------|-----|-----|-----|------|------|------|-----|-------------|------|------|------|-----|------|------|
| | A | B | C | D | G | J | K | M | O | P | T | AA[NPT] | AB | AC | AE | AF | XL | XN |
| 505US | 24.9 | 20.9 | 50.2 | 12.50 | 1.5 | 5.6 | 4.8 | 17.3 | 24.7 | 28.0 | 5.2 | 4.00 | 22.9 | 18.6 | 12.5 | 9.2 | 15.2 | 10.2 |
| 505UZ | 24.9 | 20.9 | 57.0 | 12.50 | 1.5 | 5.6 | 4.8 | 17.3 | 24.7 | 28.0 | 5.2 | 4.00 | 22.9 | 18.6 | 12.5 | 9.2 | 15.2 | 10.2 |

| FRAME SIZE | MOUNTING | | | | SHAFT EXTENSION | | | KEY SEAT | | | | BEARINGS | | MAXIMUM WEIGHT |
|------------|----------|-------|------|-----|-----------------|-------|-------|----------|-------|-------|---------|----------|-----------|----------------|
| | E | 2F | H | BA | N-W | V | U | R | S | ES | LS | OS | | |
| 505US | 10.00 | 18.00 | 0.94 | 8.5 | 4.75 | 4.50 | 2.875 | 2.450 | 0.750 | 3.00 | 6318C3 | 6318C3 | 4089 lbs. | |
| 505UZ | 10.00 | 18.00 | 0.94 | 8.5 | 11.62 | 11.38 | 3.875 | 3.309 | 1.000 | 10.00 | NU322C3 | 6318C3 | 4089 lbs. | |

CUSTOMER: _____ MOTOR MODEL NO.: _____
 P.O. NO.: _____ HP: _____ VOLTAGE: _____ RPM(SYN.): _____ Hz: _____
 FRAME SIZE: _____ PRODUCT TYPE: EQP III 840 & 841
 COMMENTS: _____

 PER: _____ DATE: _____

TAG NO's: .
. .
. .
. .
. .
. .
. .
. .

STANDARD (NO AUX. BOXES)
 RTD AUX. BOX
 SPACE HEATER AUX. BOX
 BEARING RTD's

TOSHIBA RESERVES THE RIGHT TO MAKE CHANGES OF TECHNICAL IMPROVEMENT AND THE DATA MAY CHANGE WITHOUT NOTICE PRELIMINARY
 DO NOT USE FOR CONSTRUCTION, INSTALLATION, OR APPLICATION PURPOSES UNLESS THE DRAWING IS MARKED AS CERTIFIED CERTIFIED

TOSHIBA
TOSHIBA INTERNATIONAL CORPORATION

TOTALLY-ENCLOSED FAN-COOLED
HORIZONTAL FOOT-MOUNTED
3 PHASE INDUCTION MOTOR
F1 ASSEMBLY

XT SERIES
VISIT OUR WEBSITE AT:
www.toshiba.com/ind



| | | | |
|-------------|-----------|------------|--|
| Issued Date | 9/24/2019 | Transmit # | |
| Issued By | dschoeck | Issued Rev | |

TYPICAL MOTOR PERFORMANCE DATA

Model: B2504FLF4BMHD

| HP | kW | Pole | FL RPM | Frame | Voltage | Hz | Phase | FL Amps |
|-----------|-----|------------|--------|-------|----------------|-------------|----------|--------------|
| 250 | 186 | 4 | 1790 | 505UZ | 460 | 60 | 3 | 288 |
| Enclosure | IP | Ins. Class | S.F. | Duty | NEMA Nom. Eff. | NEMA Design | kVA Code | Ambient (°C) |
| TEFC | 56 | F | 1.15 | CONT | 96.2 | B | G | 40 C |

| Load | HP | kW | Amperes | Efficiency (%) | Power Factor (%) |
|--------------|--------|-------|---------|----------------|------------------|
| Full Load | 250 | 186.4 | 287.6 | 96.1 | 84.7 |
| ¾ Load | 187.50 | 139.8 | 226.6 | 95.2 | 81.4 |
| ½ Load | 125.00 | 93.2 | 171.7 | 93.2 | 73.1 |
| ¼ Load | 62.50 | 46.6 | 128.5 | 87.3 | 52.2 |
| No Load | | | 91.5 | | 4.8 |
| Locked Rotor | | | 1825 | | 40.8 |

| Torque | | | | Rotor wk ² Inertia (lb-ft ²) |
|----------------------|-------------------------|--------------------|-----------------------|---|
| Full Load (lb-ft) | Locked Rotor (% FLT) | Pull Up (% FLT) | Break Down (% FLT) | |
| 734 | 285 | 215 | 285 | 110.37 |

| Safe Stall Time(s) | | Sound Pressure dB(A) @ 1M | Bearings* | | Approx. Motor Weight (lbs) |
|--------------------|-----|------------------------------|-----------|--------|-------------------------------|
| Cold | Hot | | DE | NDE | |
| 20 | 8 | - | NU322C3 | 6318C3 | 3004 |

*Bearings are the only recommended spare part(s).

Motor Options:
 Product Family:EQP Global 840
 Mounting:Footed,Shaft:UZ Shaft

| | |
|-------------|--|
| Customer | |
| Customer PO | |
| Sales Order | |
| Project # | |

Tag:

All characteristics are average expected values.

TOSHIBA INTERNATIONAL CORPORATION · HOUSTON, TEXAS U.S.A.

| | | | | | |
|-------------|----------|------------------|-------------|-------------|---------------|
| Engineering | zxie | Doc. Written By | D. Suarez | Doc.# / Rev | MPCF-1119 / 1 |
| Engr. Date | 8/6/2019 | Doc. Approved By | M. Campbell | Doc. Issued | 9/20/2019 |



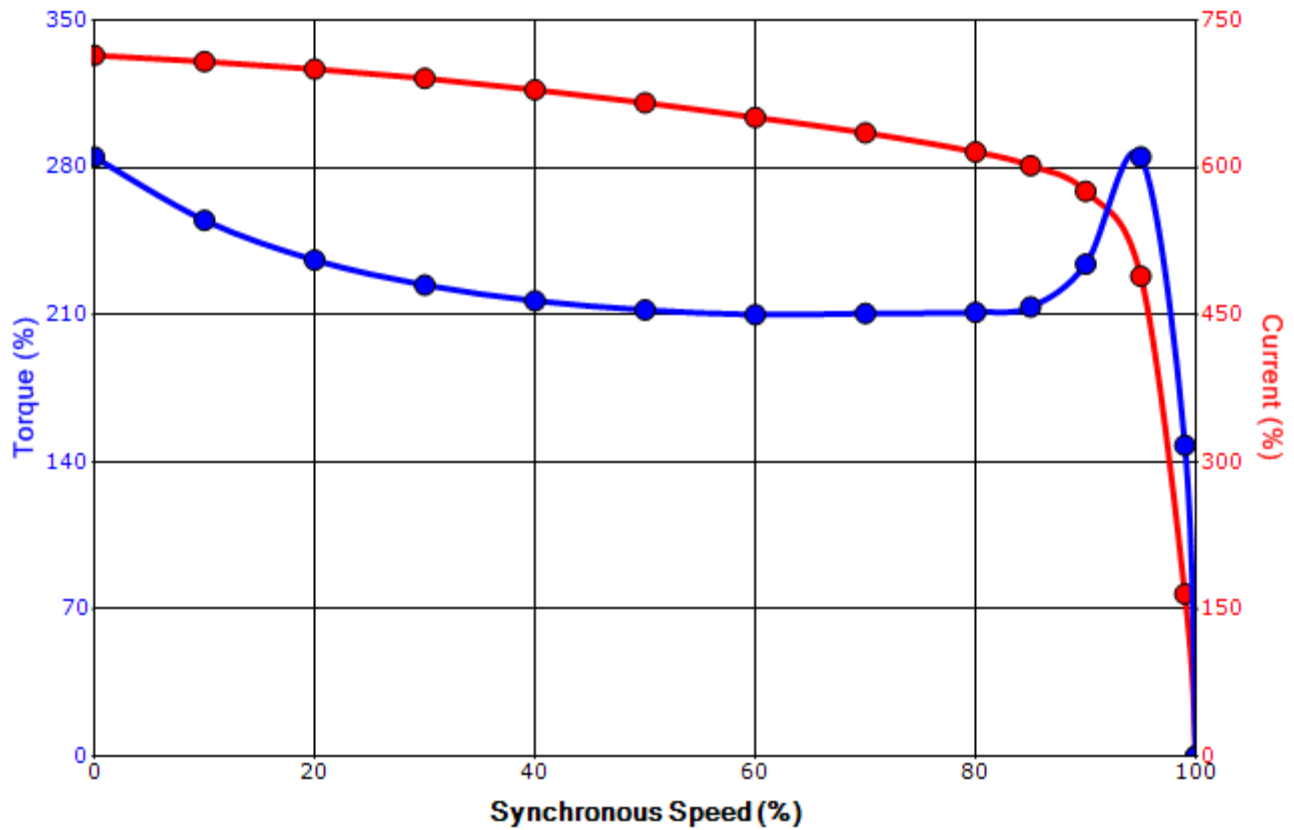
| | | | |
|-------------|-----------|------------|--|
| Issued Date | 9/24/2019 | Transmit # | |
| Issued By | dschoeck | Issued Rev | |

SPEED TORQUE/CURRENT CURVE

Model: B2504FLF4BMHD

| | | | | | | | | |
|-------------------|---|-------------------|------------------|-------|----------------|-------------|----------------|--------------|
| HP | kW | Pole | FL RPM | Frame | Voltage | Hz | Phase | FL Amps |
| 250 | 186 | 4 | 1790 | 505UZ | 460 | 60 | 3 | 288 |
| Enclosure | IP | Ins. Class | S.F. | Duty | NEMA Nom. Eff. | NEMA Design | kVA Code | Ambient (°C) |
| TEFC | 56 | F | 1.15 | CONT | 96.2 | B | G | 40 C |
| Locked Rotor Amps | Rotor wk ² Inertia (lb-ft ²) | Torque | | | | Pull Up (%) | Break Down (%) | |
| | | Full Load (lb-ft) | Locked Rotor (%) | | | | | |
| 1825 | 110.37 | 734 | 285 | | 215 | 285 | | |

Design Values



| | | | |
|-------------|--|--|-----|
| Customer | | wk ² Load Inertia (lb-ft ²) | - |
| Customer PO | | Load Type | - |
| Sales Order | | Voltage (%) | 100 |
| Project # | | Accel. Time | - |

Tag:

All characteristics are average expected values.

TOSHIBA INTERNATIONAL CORPORATION · HOUSTON, TEXAS U.S.A.

| | | | | | |
|-------------|----------|------------------|-------------|-------------|-------------|
| Engineering | zxie | Doc. Written By | D. Suarez | Doc.# / Rev | MPCF-1121/1 |
| Engr. Date | 8/6/2019 | Doc. Approved By | M. Campbell | Doc. Issued | 9/20/2019 |

Motor Connection Diagrams
6 Leads

Across the Line Starting / Run - Delta:



Alternate Starting Connection - Wye:



Switch L1 and L2 to reverse rotation