

Product Information Packet

February 5, 2024

Data shown is for the current revision model #. Ensure your nameplate model # matches.

Model Number:	WPN-DF284TSC-2C
Catalog Number:	BC2N025V5C
Connection Diagram:	See Page 4
Outline Drawing:	See Page 3

Table of Contents

Specification	01
Performance Characteristics	02
Outline Drawing	03
Connection Drawing(s)	04

Marks:

MODEL NUMBER:	BC2N025V5C	Estimated Weight:	329 Lbs
Outline Drawing:	See Page 3	Time Rating:	S1
Connection Diagram:	See Page 4	Enclosure:	TEFC
Design Code:	B	Encl Construction:	GP
Type:	KS	Ambient Max(°C):	40
Frame:	284TSC	Alt Ambient Max(°C):	40
Phases:	3	Insulation Class:	F
Poles:	2	NEMA Design:	B
Output Power:	25HP	Nominal Efficiency:	91.7 %
RPM:	3560	Guaranteed Efficiency:	90.2 %
Voltage:	575	3/4 Load Efficiency:	90.8 %
Hertz:	60	KVA Code:	F
Amps - FL:	22.8	Max KVAR:	5.6
Service Factor:	1.25@60Hz	Power Factor:	89%
Alt Service Factor:	1.15	Bearing - DE:	6310-ZZC3
		Bearing - ODE:	6308-ZZC3

Enclosure is Totally Enclosed Fan-Cooled

Stamped Nameplate Notes:

12-60HZ CONSTANT TORQUE, 6-60Hz VARIABLE TORQUE

50HZ DATA:
RPM 2965
SF 1.0

CSA APPROVED FOR CLASS I;DIVISION 2; GROUPS A, B, C & D,ZONE 2; GROUPS IIA & IIB T3 WITH VFD

Additional Information:

F1/F2/F3/ROUND BODY MOUNTING USING REMOVABLE/REPOSITIONABLE FEET
INVERTER DUTY: CT5:1(12Hz~60Hz)@100%TN, CT15:1(4Hz~60Hz)@66.7%TN, VT20:1

Performance Characteristics

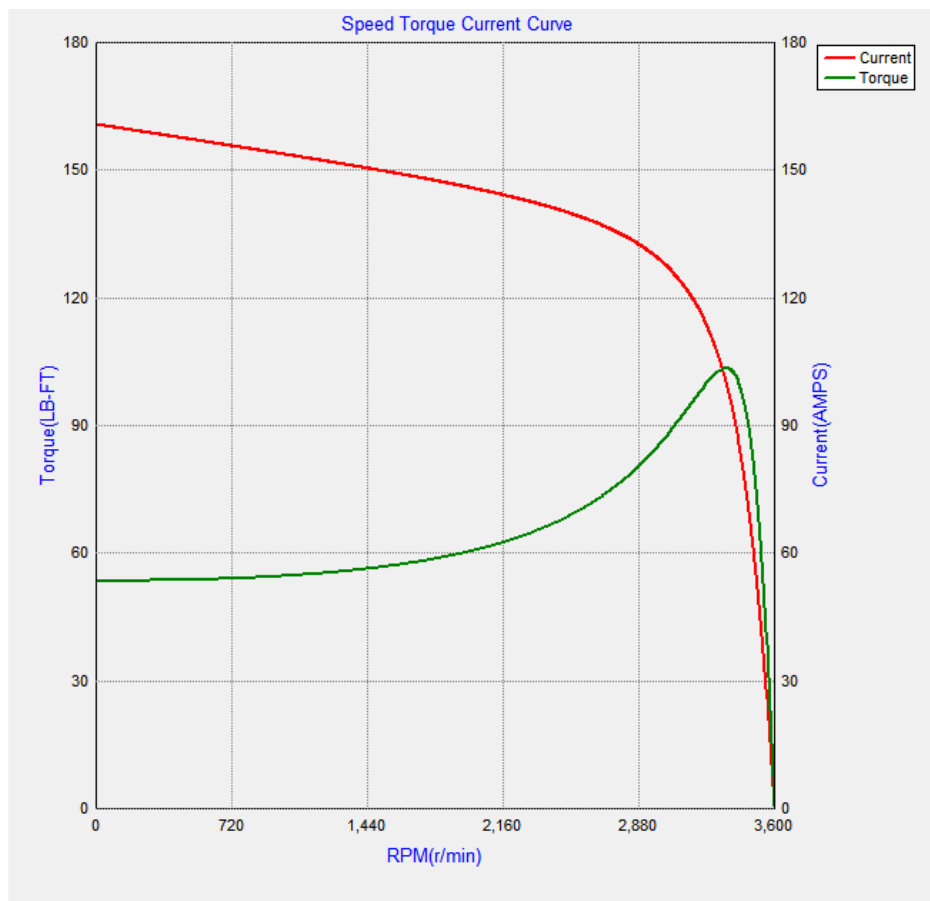
Marks:

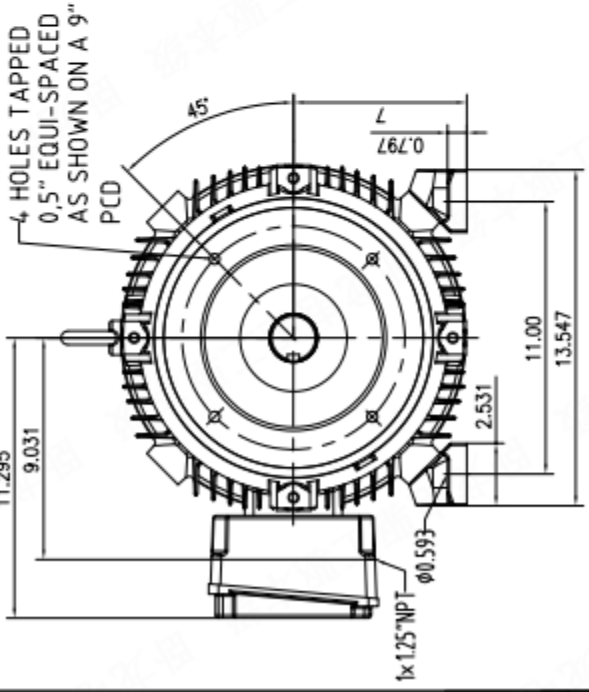
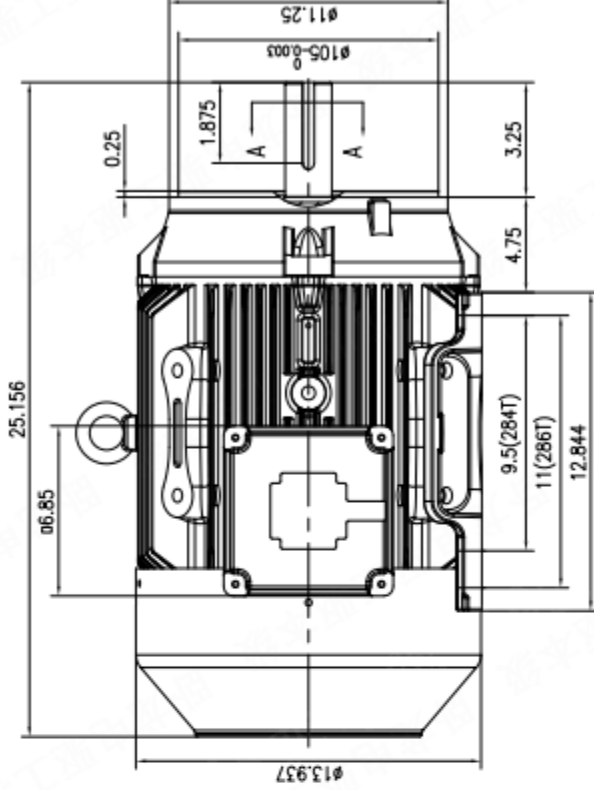
LOAD %	150.0	125.0	100.0	75.0	50.0	25.0
% EFF	89.09	90.15	91.70	90.88	89.62	84.00
% PF	86.98	87.83	88.95	85.95	79.89	63.54
AMPS(460V)	44.95	36.66	28.4	22.30	16.22	10.88

TORQUE(FL) LB-FT 49.63 TORQUE(LR)%FL 150 TORQUE(BD)%FL 284
 AMPS(LR 460V) 175 PF AT START 33

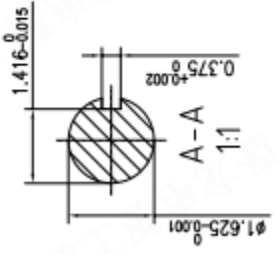
Other Useful Information for Application:

Rotor Inertia: Lb-Ft ² (Kg-m ²):	2.010(0.085)
Max load inertia: Lb-Ft ² (Kg-m ²):	
Load Type:	Square Torque/Speed Characteristic
Voltage:	100%
Number of starts per hour:	2 Cold or 1 Hot
Acceleration Time with maximum inertia (sec):	12.6
Safe stall time (sec): Cold/Hot	56/23





STANDARD TERMINAL BOX POSITION IS 9 O'CLOCK AS SHOWN.
 CONDUIT ENTRIES-- TERMINAL BOX CAN BE ROTATED AT 90° INTERVALS
 (CONDUIT ENTRY POSITION SHOWN FOR ILLUSTRATION ONLY)



Version	Scale	Drawn	Check	WF	WT
		S			
Total		Pages	Page	Brook Crompton	
WPN-DP284TSC-2C					

Special Mark Designating Part	Design	Check	Special Mark Designating Part	Special Mark Designating Part	Sign	Date
----------------------------------	--------	-------	----------------------------------	----------------------------------	------	------