

**60HZ TECHNICAL DATA SHEET**

CATALOG No: **BC2N060-4**

ISSUED: 28-Feb-24

**GENERAL INFORMATION**

HP	KW	Pole	RPM	Frame	Voltage	Hz	Phase	IP Rating
60	45.00	2	3600	364TS	230/460 V	60	3	IP55

Enclosure	Ins. Class	Service Factor	Time Rating	NEMA Design	Rated Amb.	Rated Altitude
TEFC	F	1.25	Continuous	B	-15 to 40 C°	<3300 ft

**TYPICAL PERFORMANCE**

Efficiency (%)			Power Factor (%)		
Full Load	3/4 Load	1/2 Load	Full Load	3/4 Load	1/2 Load
93.6	93.1	91.6	0.91	0.89	0.85

LRT%	BDT %	Full Load Amps	Locked Rotor Amps	Full Load RPM
		460 V	460 V	
200	300	66.00	440.00	3560

NEMA KVA Code	Bearing Size		Oil Seal		Sound Level
	Drive End	Non-Drive End	Drive End	Non-Drive End	dB(A)
G	6314.00	6314.00	70 x 90 x 10	70 x 90 x 10	79

\*Weights shown are estimated and based on standard foot mounted motor designs

**VFD DUTY INFORMATION**

	Variable Torque	Constant Torque	Rating
-	3 - 60 Hz	4 - 60 Hz	CSA Approved Class I; Div 2; Groups A, B, C, & D, T3
-	-	-	

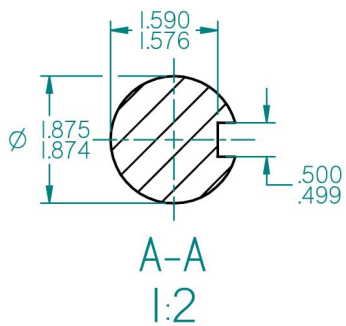
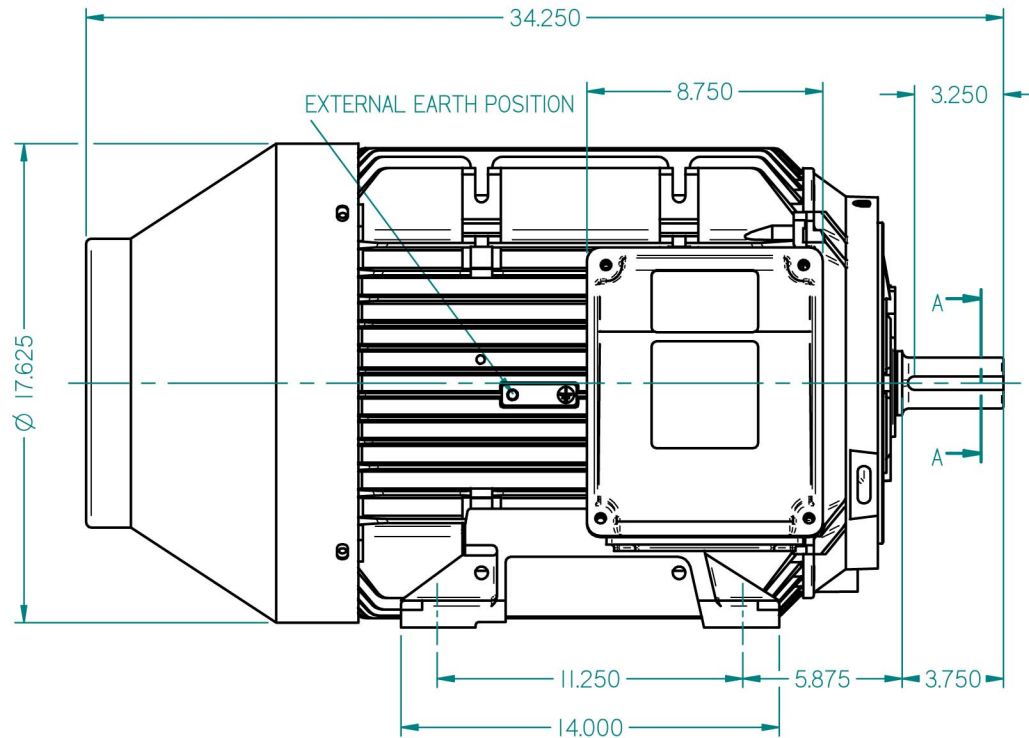
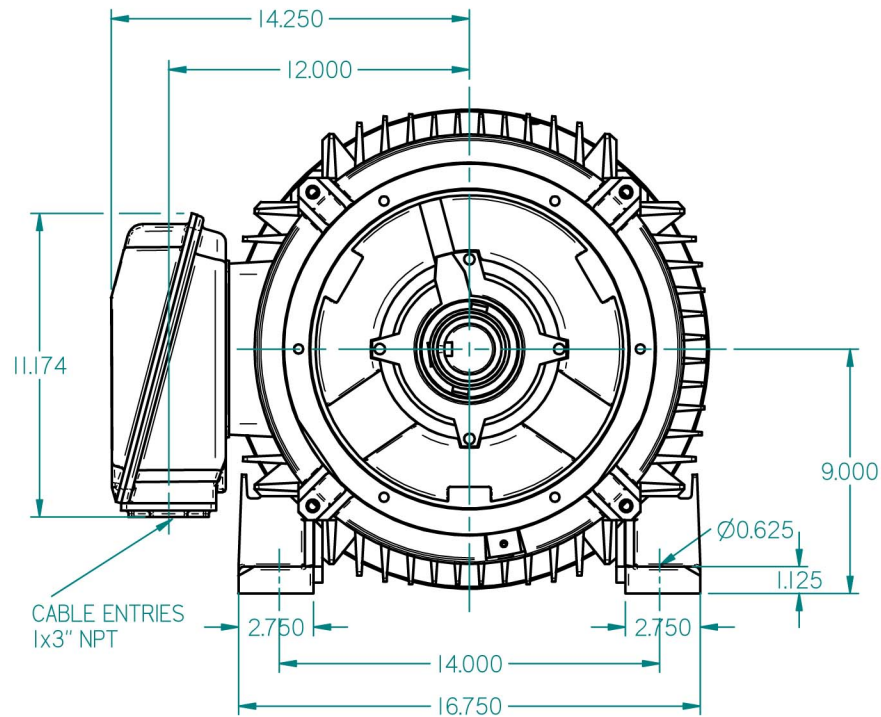
**Click Link Below For Drawing**

<http://brookcromptonna.com/Drawings/W-NEMA/NEMA%20Cast%20Iron%20B3/WP-DF364TS.pdf>

**Click Link Below For Connection Diagram**

<http://www.brookcromptonna.com/Connections/Connection%20Diagram%2012%20Lead%20X4%20NEMA.pdf>

Notes:



STANDARD TERMINAL BOX POSITION IS 9 O'CLOCK AS SHOWN.  
 CONDUIT ENTRIES:- TERMINAL BOX CAN BE ROTATED AT 90°INTERVALS  
 (CONDUIT ENTRY POSITION SHOWN FOR ILLUSTRATION ONLY)

ALL DIMENSIONS IN INCHES

FIRST ANGLE PROJECTION

**BROOK CROMPTON**

SHEET SIZE  
A3

TITLE:  
OUTLINE DIMENSION DRAWING W CAST IRON TOTALLY ENCLOSED FAN COOLED  
W-DF364TS-N FRAME FOOT MOUNTED MOTOR

	NAME	DATE
DRAWN	DL	10-01-13
CHECKED		
SCALE	1:5	

DRG. No.	
DRG. REF.	
REVISION:	
DATE:	