

60HZ TECHNICAL DATA SHEET

CATALOG No: **BC2N060-4D**

ISSUED: 28-Feb-24

GENERAL INFORMATION

| HP | KW | Pole | RPM | Frame | Voltage | Hz | Phase | IP Rating |
|----|-------|------|------|--------|-----------|----|-------|-----------|
| 60 | 45.00 | 2 | 3600 | 364TSD | 230/460 V | 60 | 3 | IP55 |

| Enclosure | Ins. Class | Service Factor | Time Rating | NEMA Design | Rated Amb. | Rated Altitude |
|-----------|------------|----------------|-------------|-------------|--------------|----------------|
| TEFC | F | 1.25 | Continuous | B | -15 to 40 C° | <3300 ft |

TYPICAL PERFORMANCE

| Efficiency (%) | | | Power Factor (%) | | |
|----------------|----------|----------|------------------|----------|----------|
| Full Load | 3/4 Load | 1/2 Load | Full Load | 3/4 Load | 1/2 Load |
| 93.6 | 93.1 | 91.6 | 0.91 | 0.89 | 0.85 |

| LRT% | BDT % | Full Load Amps | Locked Rotor Amps | Full Load RPM |
|------|-------|----------------|-------------------|---------------|
| | | 460 V | 460 V | |
| 200 | 300 | 66.00 | 440.00 | 3560 |

| NEMA KVA Code | Bearing Size | | Oil Seal | | Sound Level |
|---------------|--------------|---------------|--------------|---------------|-------------|
| | Drive End | Non-Drive End | Drive End | Non-Drive End | dB(A) |
| G | 6314.00 | 6314.00 | 70 x 90 x 10 | 70 x 90 x 10 | 79 |

*Weights shown are estimated and based on standard foot mounted motor designs

VFD DUTY INFORMATION

| | Variable Torque | Constant Torque | Rating |
|---|-----------------|-----------------|--|
| - | 3 - 60 Hz | 4 - 60 Hz | CSA Approved Class I; Div 2; Groups A, B, C, & D, T3 |
| - | - | - | |

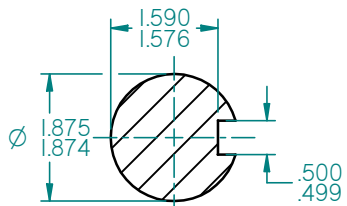
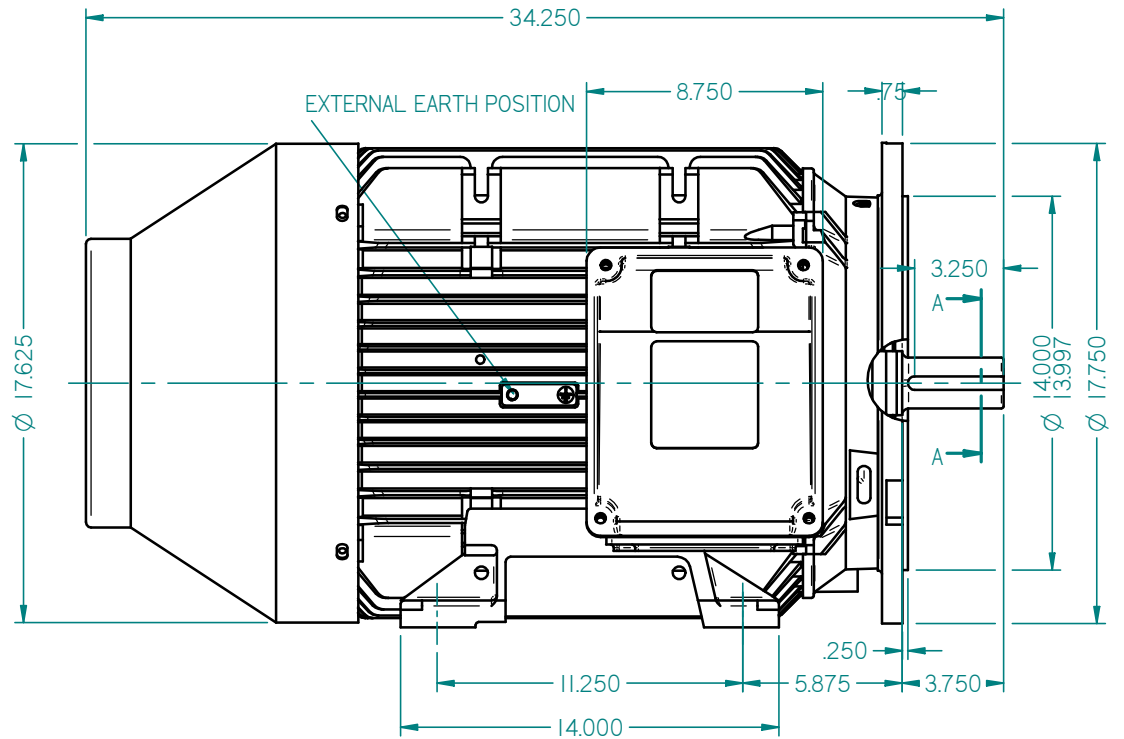
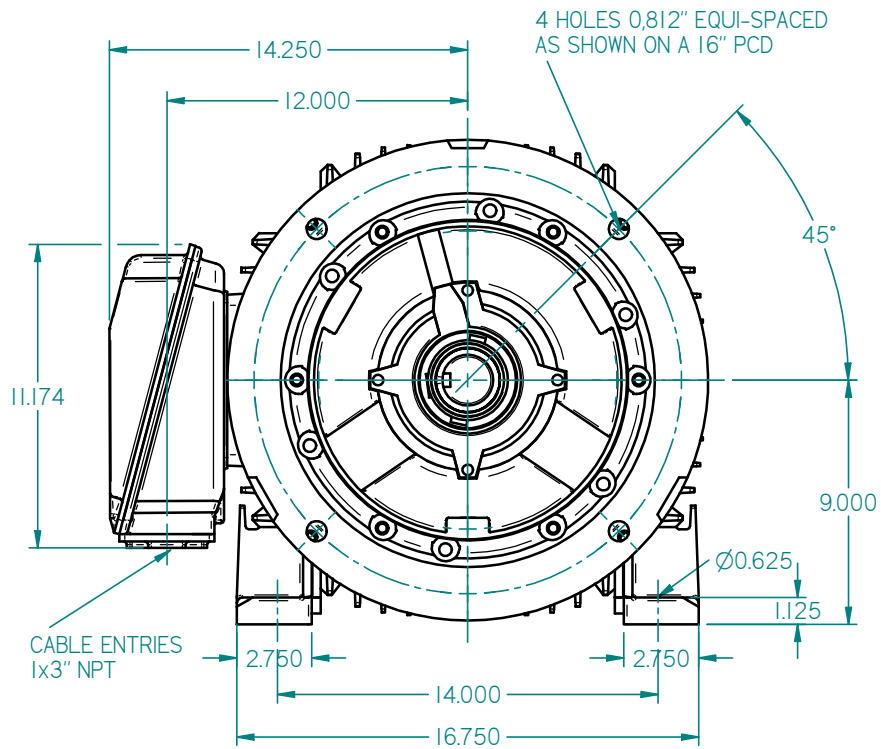
Click Link Below For Drawing

<http://brookcromptonna.com/Drawings/W-NEMA/NEMA%20Cast%20Iron%20B35/WP-DF364TSD.pdf>

Click Link Below For Connection Diagram

<http://www.brookcromptonna.com/Connections/Connection%20Diagram%2012%20Lead%20X4%20NEMA.pdf>

Notes:



A-A
1:2

STANDARD TERMINAL BOX POSITION IS 9 O'CLOCK AS SHOWN.
CONDUIT ENTRIES:- TERMINAL BOX CAN BE ROTATED AT 90° INTERVALS
(CONDUIT ENTRY POSITION SHOWN FOR ILLUSTRATION ONLY)

ALL DIMENSIONS IN INCHES



FIRST ANGLE
PROJECTION

**BROOK
CROMPTON**

SHEET
SIZE

A3

TITLE:

OUTLINE DIMENSION DRAWING W CAST IRON TOTALLY ENCLOSED FAN COOLED
WP-DF364TSD- FRAME FOOT & D FLANGE MOUNTED MOTOR

| | NAME | DATE |
|---------|-------|----------|
| DRAWN | DL | 10-01-13 |
| CHECKED | | |
| SCALE | 1 : 5 | |

DRG. No.

DRG. REF.

REVISION:

DATE: