

CATALOG No: **BC2N150-5D**

ISSUED: 28-Feb-24

GENERAL INFORMATION

| HP | KW | Pole | RPM | Frame | Voltage | Hz | Phase | IP Rating |
|-----|--------|------|------|--------|---------|----|-------|-----------|
| 150 | 110.00 | 2 | 3600 | 445TSD | 575 V | 60 | 3 | IP55 |

| Enclosure | Ins. Class | Service Factor | Time Rating | NEMA Design | Rated Amb. | Rated Altitude |
|-----------|------------|----------------|-------------|-------------|--------------|----------------|
| TEFC | F | 1.25 | Continuous | B | -15 to 40 C° | <3300 ft |

TYPICAL PERFORMANCE

| Efficiency (%) | | | Power Factor (%) | | |
|----------------|----------|----------|------------------|----------|----------|
| Full Load | 3/4 Load | 1/2 Load | Full Load | 3/4 Load | 1/2 Load |
| 95.0 | 94.5 | 93.5 | 0.92 | 0.91 | 0.88 |

| LRT% | BDT % | Full Load Amps | Locked Rotor Amps | Full Load RPM |
|------|-------|----------------|-------------------|---------------|
| | | 575 V | 575 V | |
| 160 | 280 | 128.80 | 868.00 | 3575 |

| NEMA KVA Code | Bearing Size | | Oil Seal | | Sound Level |
|---------------|--------------|---------------|--------------|---------------|-------------|
| | Drive End | Non-Drive End | Drive End | Non-Drive End | dB(A) |
| G | 6316.00 | 6316.00 | 70 x 90 x 10 | 70 x 90 x 10 | 82 |

*Weights shown are estimated and based on standard foot mounted motor designs

VFD DUTY INFORMATION

| | Variable Torque | Constant Torque | Rating |
|---|-----------------|-----------------|--|
| - | 3 - 60 Hz | 4 - 60 Hz | CSA Approved Class I; Div 2; Groups A, B, C, & D, T3 |
| - | - | - | |

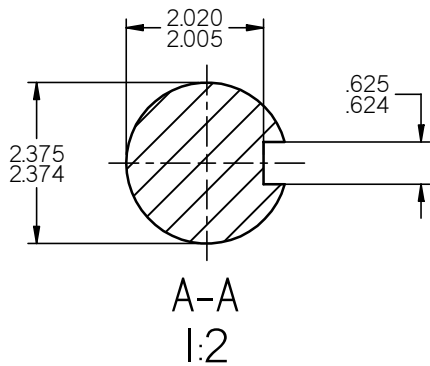
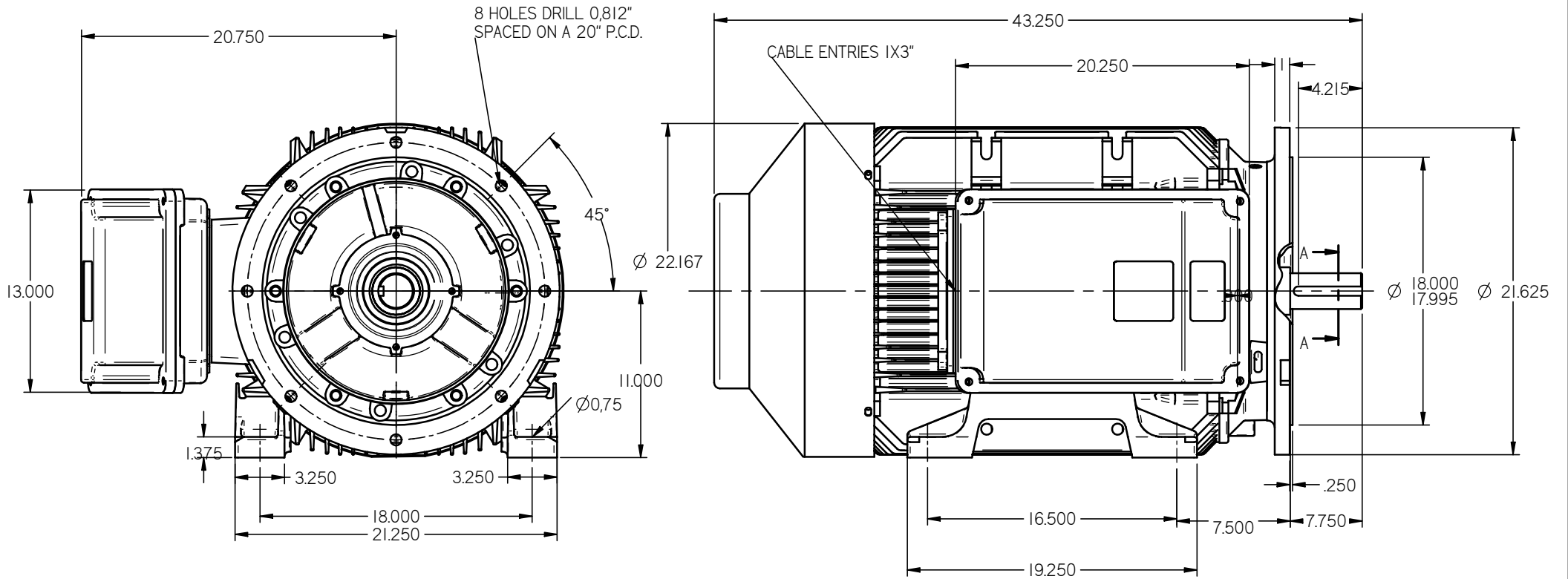
Click Link Below For Drawing

<http://brookcromptonna.com/Drawings/W-NEMA/NEMA%20Cast%20Iron%20B35/WP-DF445TSD.pdf>

Click Link Below For Connection Diagram

<http://www.brookcromptonna.com/Connections/Connection%20Diagram%206%20Lead%20575%20NEMA.pdf>

Notes:



STANDARD TERMINAL BOX POSITION IS 9 O'CLOCK AS SHOWN.
 CONDUIT ENTRIES:- TERMINAL BOX CAN BE ROTATED AT 90°
 INTERVALS
 (CONDUIT ENTRY POSITION SHOWN FOR ILLUSTRATION ONLY)

ALL DIMENSIONS IN INCHES

FIRST ANGLE
 PROJECTION

**BROOK
 CROMPTON**

SHEET SIZE: **A3**

TITLE: **OUTLINE DIMENSION DRAWING W CAST IRON TOTALLY ENCLOSED FAN COOLED WP-DF445TSD-NE FRAME FOOT/D-FLANGE MOUNTED MOTOR**

| | | |
|---------|------------|-----------|
| NAME | DATE | DRG. No. |
| IS | 26-03-2013 | DRG. REF. |
| CHECKED | | REVISION: |
| SCALE | 1:6 | DATE: |