

CATALOG No: **BC4N125-9**

ISSUED: 28-Feb-24

**GENERAL INFORMATION**

HP	KW	Pole	RPM	Frame	Voltage	Hz	Phase	IP Rating
125	90.00	4	1800	444T	460 V	60	3	IP55

Enclosure	Ins. Class	Service Factor	Time Rating	NEMA Design	Rated Amb.	Rated Altitude
TEFC	F	1.25	Continuous	B	-15 to 40 C°	<3300 ft

**TYPICAL PERFORMANCE**

Efficiency (%)			Power Factor (%)		
Full Load	3/4 Load	1/2 Load	Full Load	3/4 Load	1/2 Load
95.4	95.5	95.1	0.85	0.82	0.78

LRT%	BDT %	Full Load Amps	Locked Rotor Amps	Full Load RPM
		460 V	460 V	
200	220	144.00	908.00	1775

NEMA KVA Code	Bearing Size		Oil Seal		Sound Level
	Drive End	Non-Drive End	Drive End	Non-Drive End	dB(A)
G	6316.00	6316.00	90 x 120 x 12	90 x 120 x 12	74

\*Weights shown are estimated and based on standard foot mounted motor designs

**VFD DUTY INFORMATION**

	Variable Torque	Constant Torque	Rating
-	3 - 60 Hz	4 - 60 Hz	CSA Approved Class I; Div 2; Groups A, B, C, & D, T3
-	-	-	

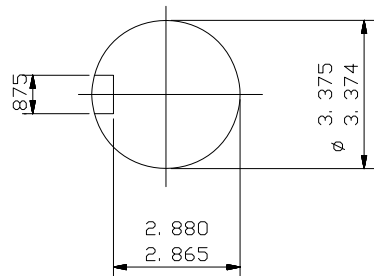
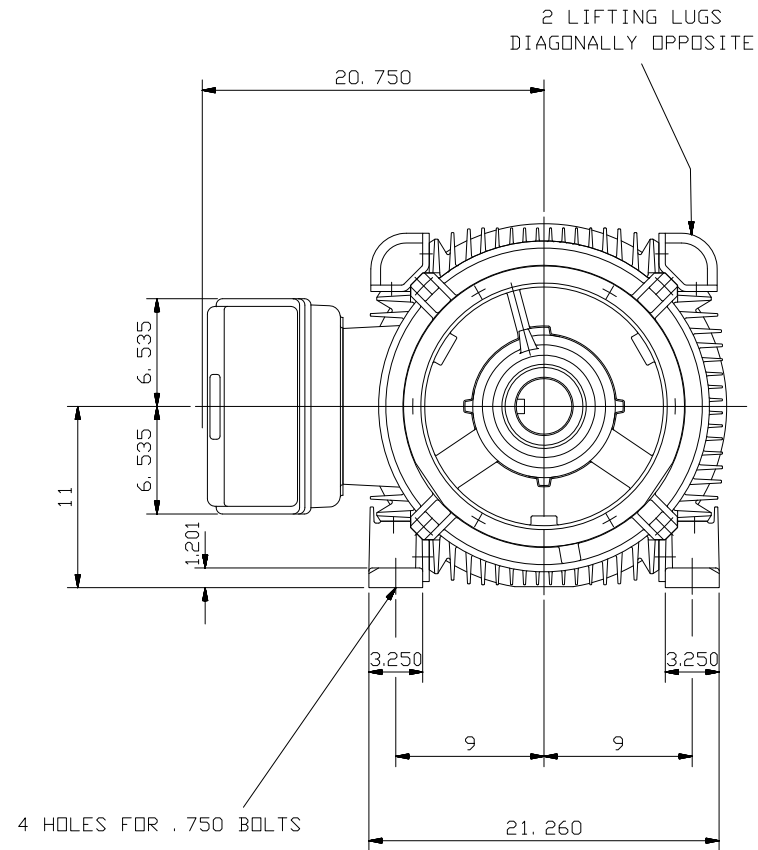
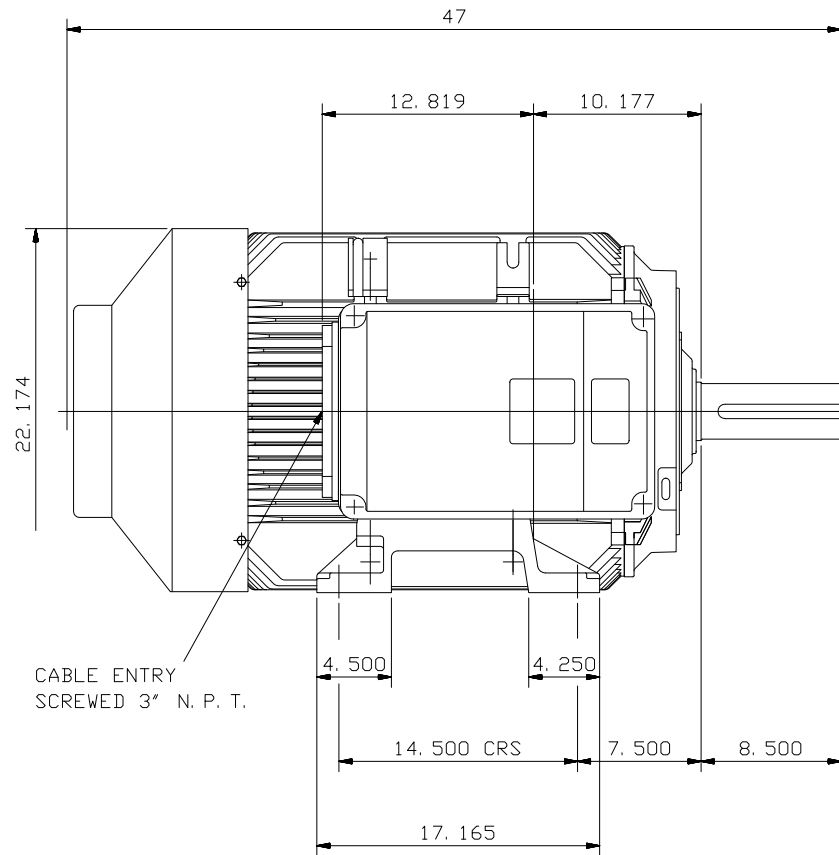
**Click Link Below For Drawing**

<http://brookcromptonna.com/Drawings/W-NEMA/NEMA%20Cast%20Iron%20B3/WP-DF444T.pdf>

**Click Link Below For Connection Diagram**

<http://www.brookcromptonna.com/Connections/Connection%20Diagram%206%20Lead%20460V%20NEMA.pdf>

Notes:



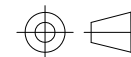
ENLARGED VIEW OF  
SHAFT EXTENSION  
(SCALE 1:2)

NOTE: -  
TERMINAL BOX CAN BE TOP OR RIGHT  
HAND SIDE MOUNTED BY REFITTING FEET  
90° IN APPROPRIATE DIRECTION.  
CABLE ENTRY CAN BE SUPPLIED IN  
ANY ONE OF FOUR POSITIONS AT  
90° INTERVALS.

CUSTOMER		
ORDER No.		
SERIAL No.		
FRAME SIZE		
HP	RPM.	
Hz	PHASE 3	
VOLTS	POLES	
BRGS.	DE.	NDE.
MOTOR NETT. WT. Kg.		
INSULATION CLASS		
TEMPERATURE RISE °C		
DESIGN AMBIENT TEMPERATURE °C		
HEATER WATTS & VOLTS		
WATTS,	VOLTS	

REMARKS

ALL DIMENSIONS IN INCHES



THIRD ANGLE  
PROJECTION



NOTE !  
\* ENDPLAY WILL BE PROVIDED FOR ENDTHRUST  
PROTECTION WHEN CUSTOMERS NOTIFY US OF THEIR  
INTENTION TO USE RIGID COUPLINGS AND DRIVEN  
MACHINES WITHOUT ENDTPLAY.

OUTLINE DIMENSIONS OF STANDARD FOOT MOUNTED INCH A. C. MOTOR  
TO NEMA STD. MG1. TOTALLY ENCLOSED FAN COOLED.  
FITTED WITH SIDE MOUNTED TERMINAL BOX  
FRAME SIZE :- W-DF444T-N (4 POLE UP)

SCALE		DATE
DRAWN		
CHECKED		
APPROVED		

DRG. No.		
REVISION:		DATE