

60HZ TECHNICAL DATA SHEET

CATALOG No: **BC6N010V5**

ISSUED: 14-Mar-24

GENERAL INFORMATION

HP	KW	Pole	RPM	Frame	Voltage	Hz	Phase	IP Rating
10	7.50	6	1200	256T	575 V	60	3	IP55

Enclosure	Ins. Class	Service Factor	Time Rating	NEMA Design	Rated Amb.	Rated Altitude
TEFC	F	1.25	Continuous	B	-15 to 40 C°	<3300 ft

TYPICAL PERFORMANCE

Efficiency (%)			Power Factor (%)		
Full Load	3/4 Load	1/2 Load	Full Load	3/4 Load	1/2 Load
91.0	91.1	90.2	0.81	0.75	0.63

LRT%	BDT %	Full Load Amps		Locked Rotor Amps		Full Load RPM
		575 V		575 V		
210	320	10.20		63.95		1175

NEMA KVA Code	Bearing Size		Oil Seal		Sound Level
	Drive End	Non-Drive End	Drive End	Non-Drive End	dB(A)
H	63092Z	63072Z	-	-	-

*Weights shown are estimated and based on standard foot mounted motor designs

VFD DUTY INFORMATION

	Variable Torque	Constant Torque	Rating
-	6 - 60 Hz	12 - 60 Hz	CSA Approved Class I; Div 2; Groups A, B, C, & D, T3 With VFD
-	-	-	

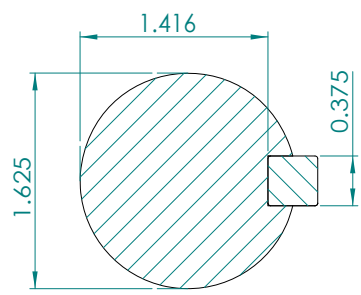
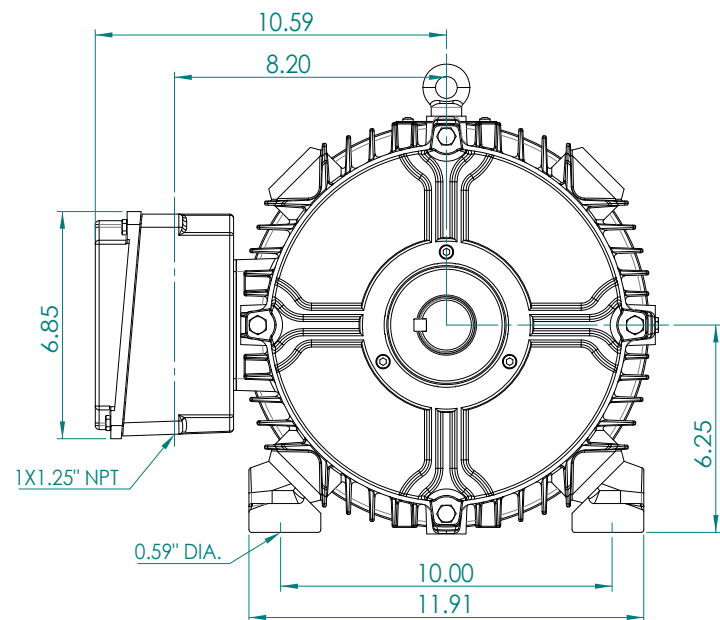
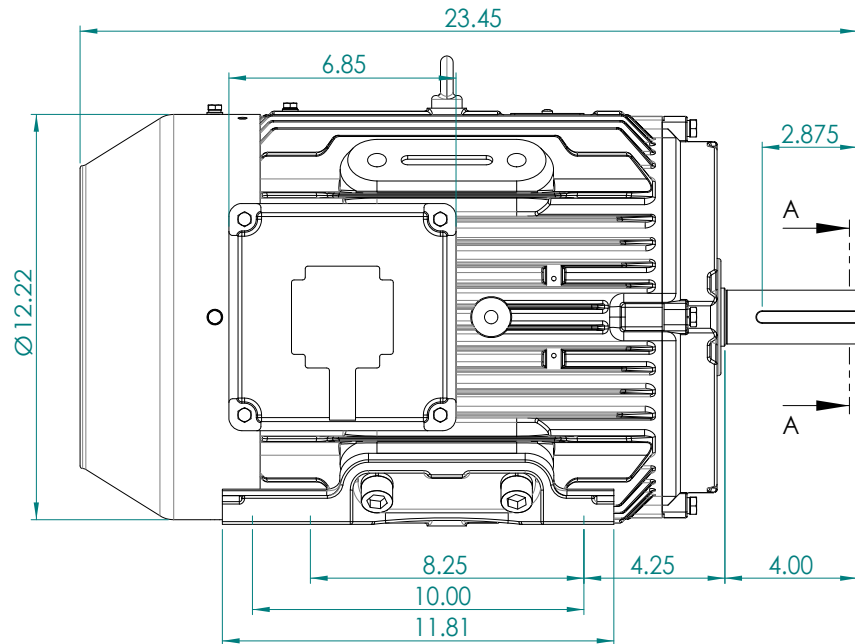
Click Link Below For Drawing

[Drawing Not Available](#)

Click Link Below For Connection Diagram

<http://www.brookcrompton.com/Connections/Connection%20Diagram%206%20Lead%20575%20NEMA.pdf>

Notes:



SECTION A-A
SCALE 1:1

BROOK CROMPTON	
WPN-DF254/6T-V	
SHEET	A3
www.brookcrompton.com	