

CATALOG No: **BC6N060-5C**

ISSUED: 28-Feb-24

GENERAL INFORMATION

| HP | KW | Pole | RPM | Frame | Voltage | Hz | Phase | IP Rating |
|----|-------|------|------|-------|---------|----|-------|-----------|
| 60 | 45.00 | 6 | 1200 | 404TC | 575 V | 60 | 3 | IP55 |

| Enclosure | Ins. Class | Service Factor | Time Rating | NEMA Design | Rated Amb. | Rated Altitude |
|-----------|------------|----------------|-------------|-------------|--------------|----------------|
| TEFC | F | 1.25 | Continuous | B | -15 to 40 C° | <3300 ft |

TYPICAL PERFORMANCE

| Efficiency (%) | | | Power Factor (%) | | |
|----------------|----------|----------|------------------|----------|----------|
| Full Load | 3/4 Load | 1/2 Load | Full Load | 3/4 Load | 1/2 Load |
| 94.5 | 95.0 | 94.0 | 0.85 | 0.85 | 0.77 |

| LRT% | BDT % | Full Load Amps | Locked Rotor Amps | Full Load RPM |
|------|-------|----------------|-------------------|---------------|
| | | 575 V | 575 V | |
| 210 | 200 | 56.00 | 380.80 | 1185 |

| NEMA KVA Code | Bearing Size | | Oil Seal | | Sound Level |
|---------------|--------------|---------------|---------------|---------------|-------------|
| | Drive End | Non-Drive End | Drive End | Non-Drive End | dB(A) |
| H | 6318.00 | 6318.00 | 90 x 120 x 12 | 90 x 120 x 12 | 70 |

*Weights shown are estimated and based on standard foot mounted motor designs

VFD DUTY INFORMATION

| | Variable Torque | Constant Torque | Rating |
|---|-----------------|-----------------|--|
| - | 3 - 60 Hz | 4 - 60 Hz | CSA Approved Class I; Div 2; Groups A, B, C, & D, T3 |
| - | - | - | |

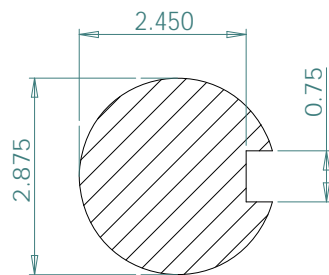
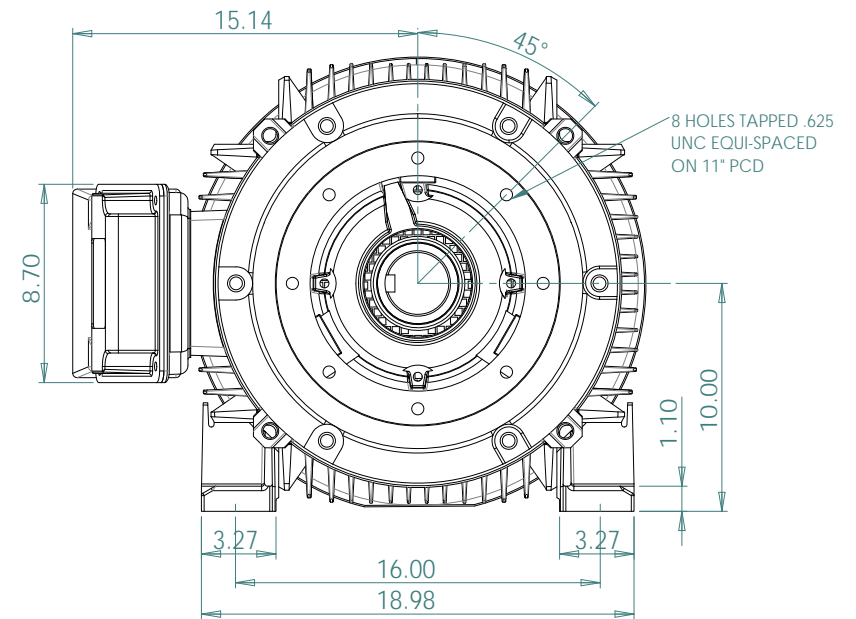
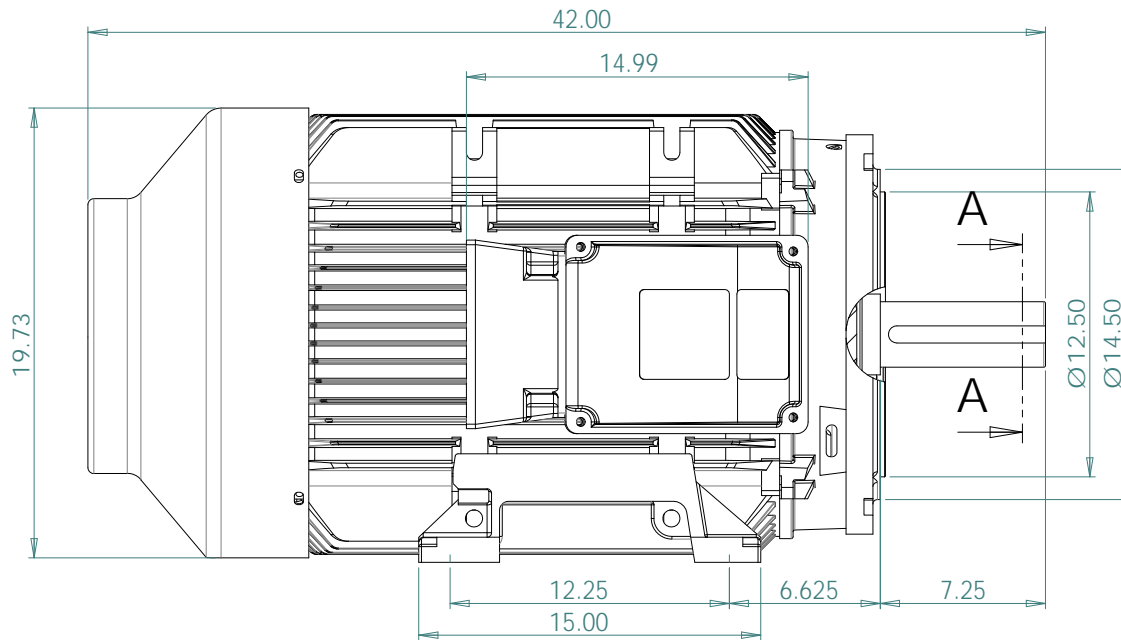
Click Link Below For Drawing

<http://brookcromptonna.com/Drawings/W-NEMA/NEMA%20Cast%20Iron%20B34/WP-DF404TC.pdf>

Click Link Below For Connection Diagram

<http://www.brookcromptonna.com/Connections/Connection%20Diagram%206%20Lead%20575%20NEMA.pdf>

Notes:



SECTION A-A
SCALE 1 : 2

| | |
|---------------------------|-----------------------|
| BROOK CROMPTON | |
| WP-DF404TC | A3 |
| SHEET | www.brookcrompton.com |