

CATALOG No: **BF6N.75V5C**

ISSUED: 14-Mar-24

**GENERAL INFORMATION**

| HP   | KW   | Pole | RPM  | Frame | Voltage | Hz | Phase | IP Rating |
|------|------|------|------|-------|---------|----|-------|-----------|
| 0.75 | 0.55 | 6    | 1200 | 56C   | 575 V   | 60 | 3     | IP55      |

| Enclosure | Ins. Class | Service Factor | Time Rating | NEMA Design | Rated Amb.   | Rated Altitude |
|-----------|------------|----------------|-------------|-------------|--------------|----------------|
| TEFC      | F          | 1.25           | Continuous  | B           | -15 to 40 C° | <3300 ft       |

**TYPICAL PERFORMANCE**

| Efficiency (%) |          |          | Power Factor (%) |          |          |
|----------------|----------|----------|------------------|----------|----------|
| Full Load      | 3/4 Load | 1/2 Load | Full Load        | 3/4 Load | 1/2 Load |
| 74.7           | 74.2     | 71.1     | 0.68             | 0.59     | 0.46     |

| LRT% | BDT % | Full Load Amps | Locked Rotor Amps | Full Load RPM |
|------|-------|----------------|-------------------|---------------|
|      |       | 575 V          | 575 V             |               |
| 300  | 300   | 1.09           | 4.37              | 1130          |

| NEMA KVA Code | Bearing Size |               | Oil Seal  |               | Sound Level |
|---------------|--------------|---------------|-----------|---------------|-------------|
|               | Drive End    | Non-Drive End | Drive End | Non-Drive End | dB(A)       |
| K             | 6204ZZC3     | 6003ZZC3      | -         | -             | -           |

\*Weights shown are estimated and based on standard foot mounted motor designs

**VFD DUTY INFORMATION**

|   | Variable Torque | Constant Torque | Rating  |
|---|-----------------|-----------------|---|
| - | 6 - 60 Hz       | 12 - 60 Hz      | CSA Approved Class I; Div 2; Groups A, B, C, & D, T3 With VFD |
| - | -               | -               |   |

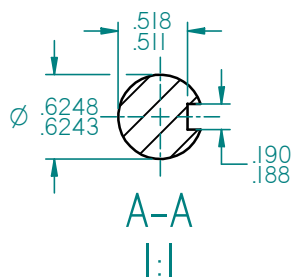
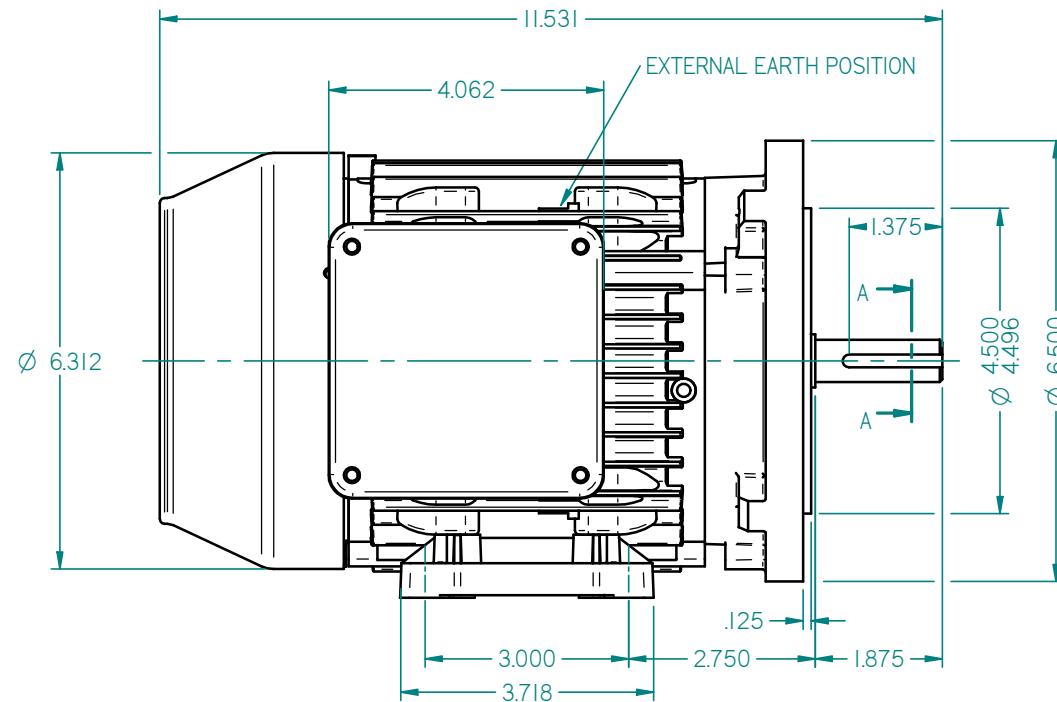
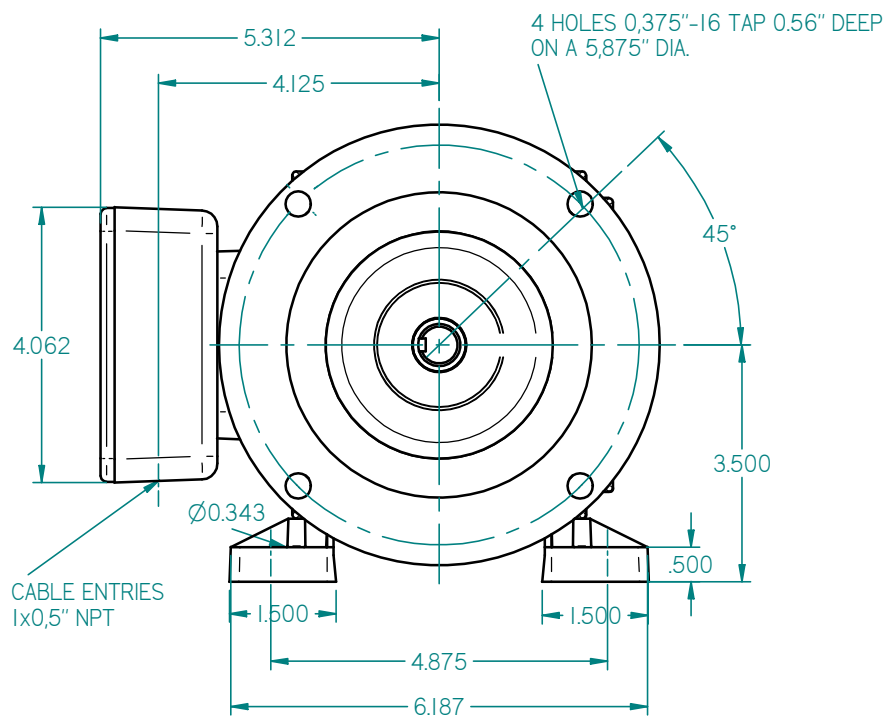
**Click Link Below For Drawing**

<http://brookcrompton.com/Drawings/W-NEMA/NEMA%20Aluminum%20B34/WP-DA56C.pdf>

**Click Link Below For Connection Diagram**

[Connection Diagram Not Available. Please Call 1-800-MOTORS-9](#)

Notes:



STANDARD TERMINAL BOX POSITION IS 9 O'CLOCK AS SHOWN.  
 CONDUIT ENTRIES:- TERMINAL BOX CAN BE ROTATED AT 90° INTERVALS  
 (CONDUIT ENTRY POSITION SHOWN FOR ILLUSTRATION ONLY)

ALL DIMENSIONS IN ICHNES

FIRST ANGLE PROJECTION

**BROOK CROMPTON**

SHEET SIZE

A3

TITLE:

OUTLINE DIMENSION DRAWING W ALUMINIUM TOTALLY ENCLOSED FAN COOLED WP-DA56C FRAME FOOT& CFLANGE MOUNTED MOTOR

|         |       |          |
|---------|-------|----------|
|         | NAME  | DATE     |
| DRAWN   | DL    | 14-03-13 |
| CHECKED |       |          |
| SCALE   | 1 : 2 |          |

|           |       |
|-----------|-------|
| DRG. No.  |       |
| DRG. REF. |       |
| REVISION: | DATE: |