

PRODUCT INFORMATION PACKET

Model No: 145TTDR16085

Catalog No: C150B

General Purpose Motor, 1 HP, 3 Ph, 60 Hz, 230/460 V, 1200 RPM, 145TC Frame, DP



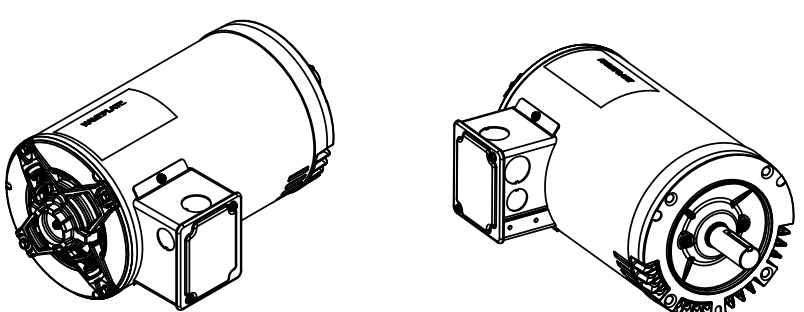
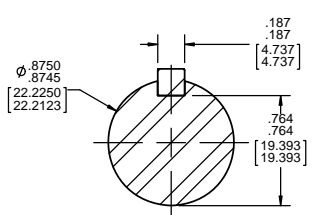
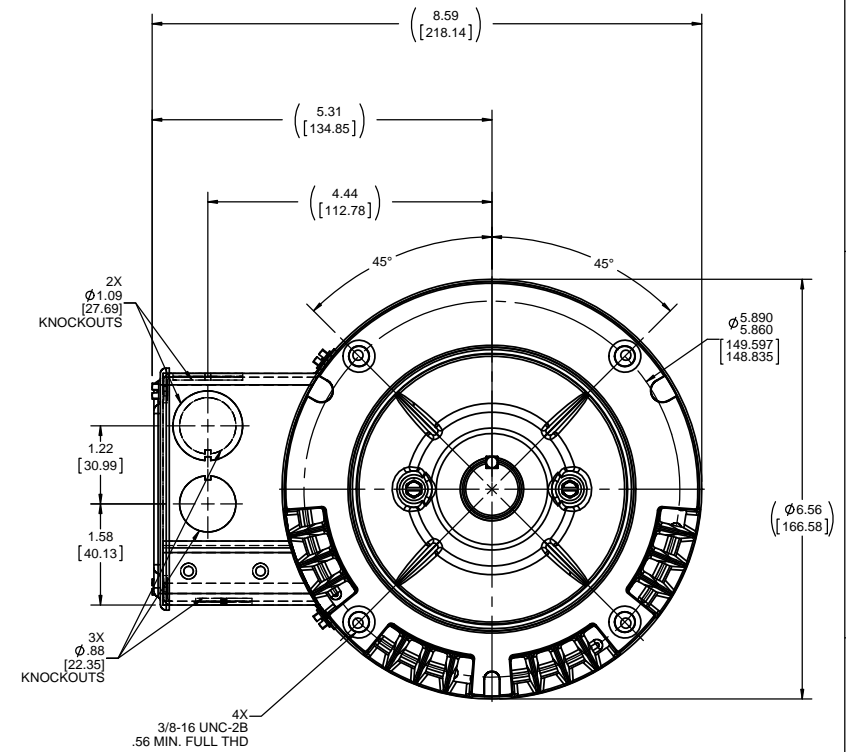
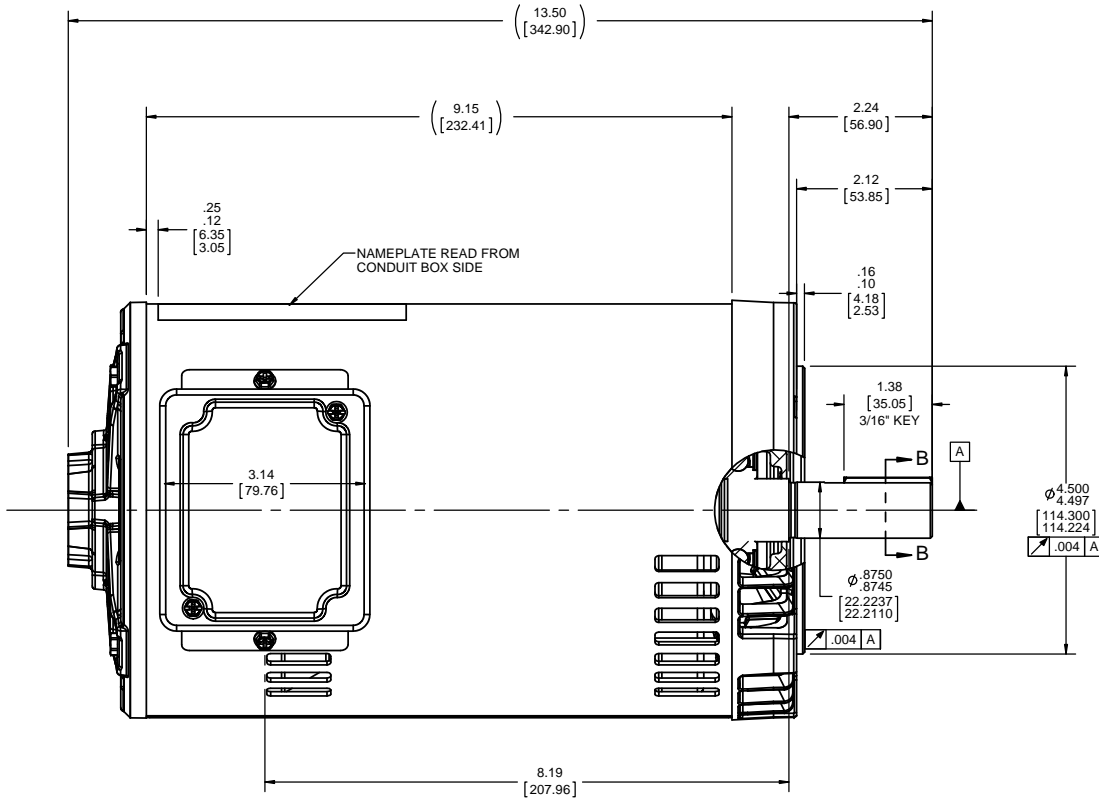
Regal and are trademarks of Regal Rexnord Corporation or one of its affiliated companies.
©2022 Regal Rexnord Corporation, All Rights Reserved. MC017097E


Nameplate Specifications

| | | | |
|------------------------|----------------------|----------------------------|-------------------|
| Output HP | 1 Hp | Output KW | 0.75 kW |
| Frequency | 60 Hz | Voltage | 230/460 V |
| Current | 3.8/1.9 A | Speed | 1160 rpm |
| Service Factor | 1.15 | Phase | 3 |
| Efficiency | 82.5 % | Power Factor | 60 |
| Duty | Continuous | Insulation Class | B |
| Design Code | B | KVA Code | K |
| Frame | 145TC | Enclosure | Drip Proof |
| Thermal Protection | No Protection | Ambient Temperature | 40 °C |
| Drive End Bearing Size | 6205 | Opp Drive End Bearing Size | 6203 |
| UL | Recognized | CSA | Y |
| CE | Y | IP Code | 22 |
| Number of Speeds | 1 | | |

Technical Specifications

| | | | |
|-----------------------|------------------------------------|--------------------|------------------------|
| Electrical Type | Squirrel Cage Induction Run | Starting Method | Across The Line |
| Poles | 6 | Rotation | Reversible |
| Resistance Main | 15.16 Ohms | Mounting | Round |
| Motor Orientation | Horizontal | Drive End Bearing | Ball |
| Opp Drive End Bearing | Ball | Frame Material | Rolled Steel |
| Shaft Type | T | Overall Length | 13.50 in |
| Shaft Diameter | 0.875 in | Shaft Extension | 2.12 in |
| Assembly/Box Mounting | F1 ONLY | | |
| Outline Drawing | OL56100034-001 | Connection Drawing | CDTD127 |



| | | | | | | |
|--|-------------------------|--------------------|---|---------------------|--|-----------------|
| DRAWING REVISION D | REVISION BY E VILLA | DATE 11-22-2016 | TOLERANCES UNLESS OTHERWISE SPECIFIED: DEC. INCH mm ANGLE | DRAWN BY F PAYAN |  Regal Beloit America, Inc. | |
| ECO-0113312 | APPROVED BY J.ORTEGA | DATE 11-22-2016 | .X ±0.1 [±2.5] ±0.5° .XX ±0.02 [±0.51] .XXX ±0.005 [±0.127] .XXXX ±0.0005 [±0.0127] | DATE 02-15-16 | | |
| ECO DESCRIPTION CHANGED LENGTH | | | REMOVE BURRS & BREAK SHARP EDGES: .003 [.015] X 45° CORNER FILLETS: R.02 [S1] MACHINED SURFACES: 1/25 3/2 mm SHOWN IN [BRACKETS] | APPROVED BY | DESCRIPTION OUTLINE 140TC, DP, C-FACE | |
| <small>COPYRIGHT REGAL BELOIT AMERICA, INC. ALL RIGHTS RESERVED. PROPRIETARY AND CONFIDENTIAL INFORMATION - THIS DOCUMENT IS THE PROPERTY OF REGAL BELOIT AMERICA, INC. FORMERLY AND CONTAINS OWNERS PROPRIETARY INFORMATION. ANY PERSON, CORPORATION OR OTHER FIRM RECEIVING IT IS DEEMED, BY RECEIVING IT, TO AGREE THAT IT, AND/OR ANY PART OF IT, SHALL NOT BE DISCLOSED TO ANY PERSON, CORPORATION OR OTHER ENTITY, DUPLICATED, AND/OR USED, EXCEPT AS EXPRESSLY APPROVED IN WRITING IN ADVANCE BY OWNER. THIS DOCUMENT SHALL BE RETURNED TO OWNER UPON REQUEST. IT MAY BE SUBJECT TO CERTAIN RESTRICTIONS UNDER APPLICABLE EXPORT CONTROL LAWS AND REGULATIONS.</small> | | | REFERENCE | MATERIAL | PROCESS FINISH | |
| | | | THIRD ANGLE PROJECTION | SIZE C | DRAWING NUMBER OL56100034-001 | SHEET 1 OF 1 |

4

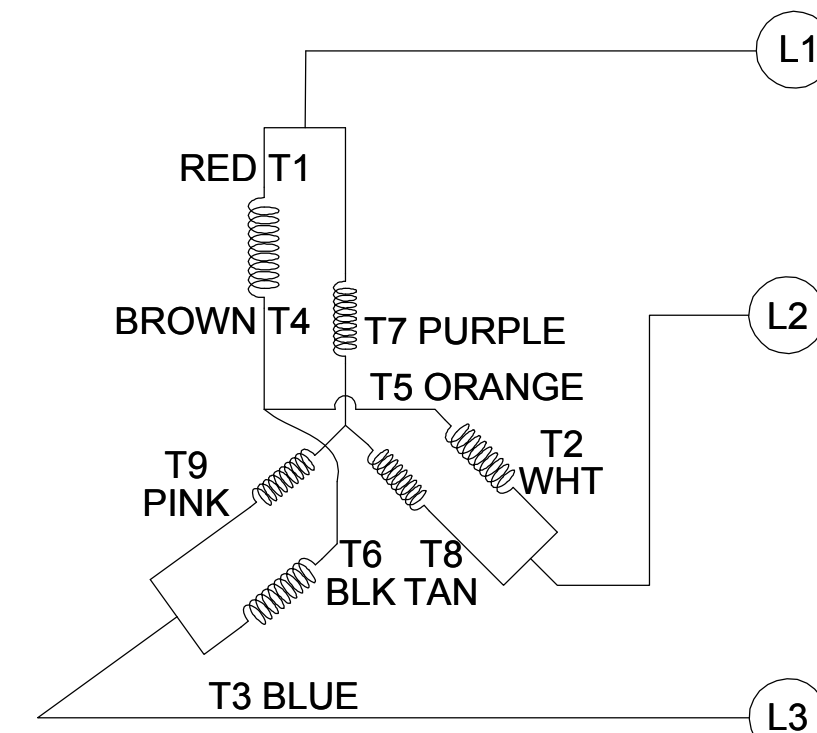
3

2

1

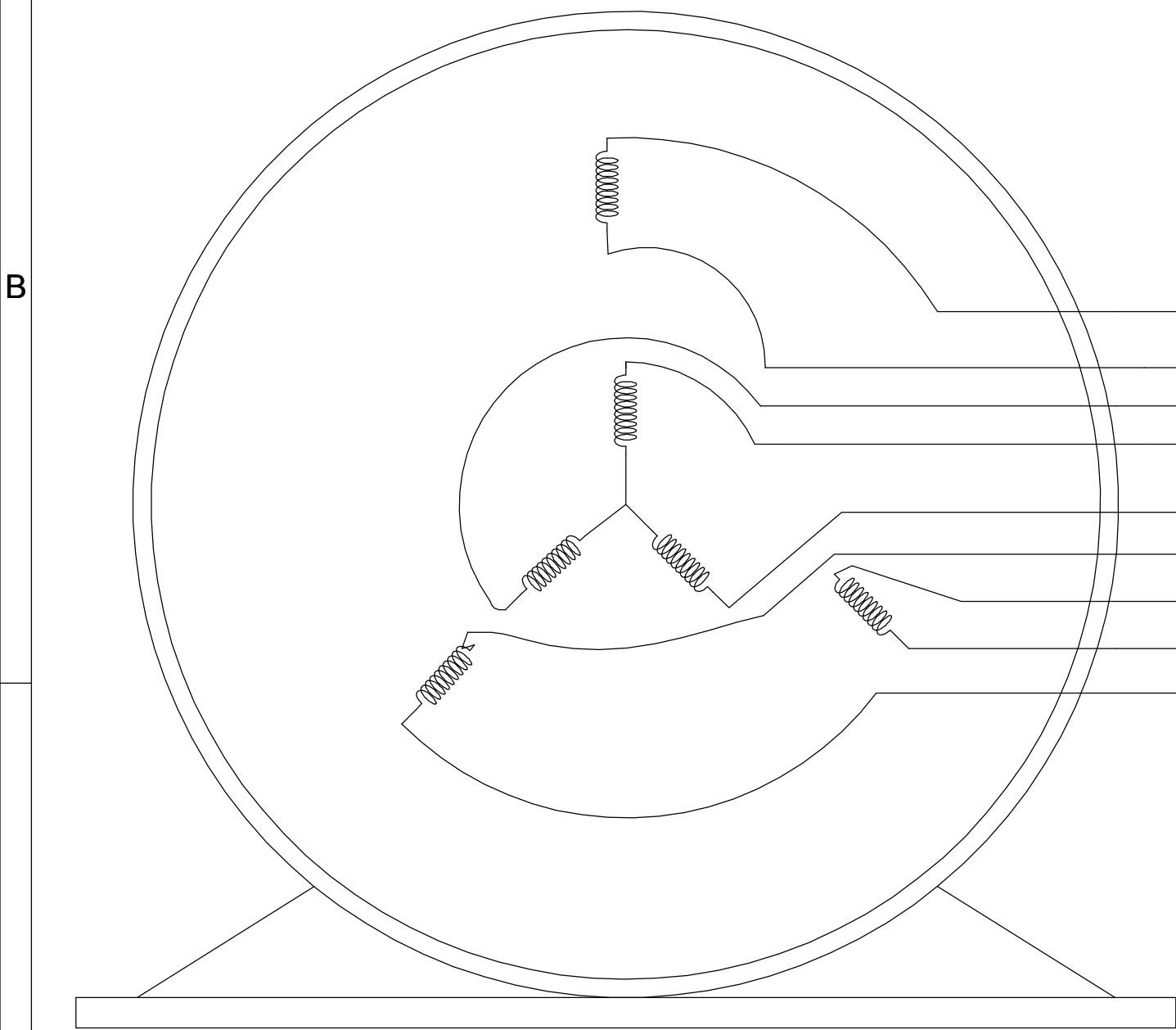
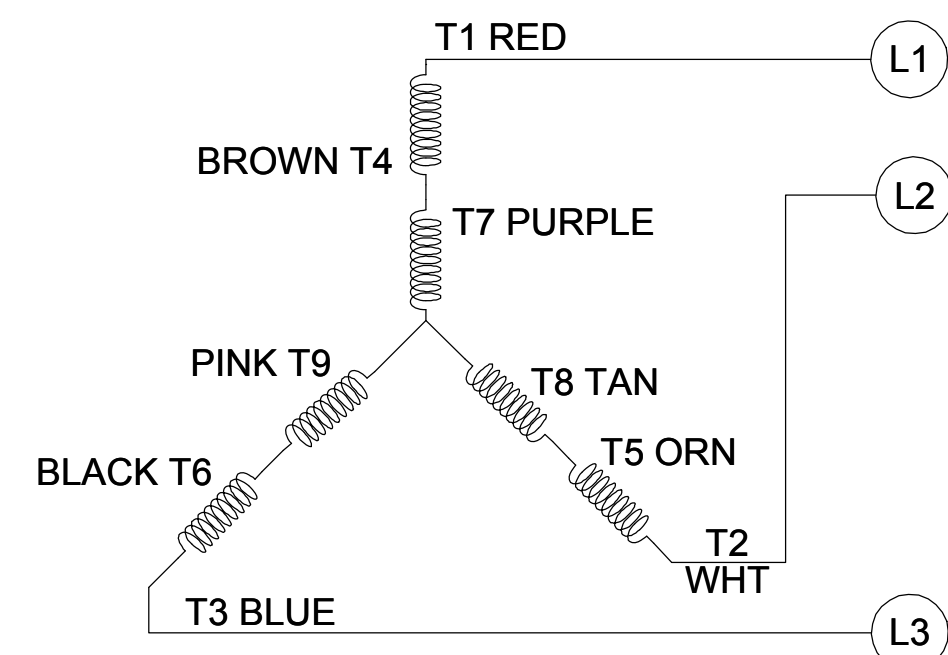
001

CCW LOW VOLTAGE



002

CCW HIGH VOLTAGE



- T1 RED
- T4 BROWN
- T9 PINK
- T7 PURPLE
- T8 TAN
- T6 BLACK
- T5 ORANGE
- T2 WHITE
- T3 BLUE

VIEW OF TERMINAL END

- NOTE:
1. TO REVERSE ROTATION, INTERCHANGE ANY TWO LINE CONNECTIONS TO L1, L2, OR L3.
 2. CONNECTION DIAGRAM-NAMEPLATE DD10123-001 - CCWLE DD10199-001 - CWLE

| | | | | | |
|--|-----------------------|--------------------|--|-----------------------------|---|
| DRAWING REVISION D | REVISION BY SHESHI | DATE 01/11/2019 | TOLERANCES UNLESS OTHERWISE SPECIFIED: DEC. INCH mm ANGLE .X ±0.1 [±2.5] ±0.5° .XX ±0.01 [±0.25] .XXX ±0.005 [±0.127] .XXXX ±0.0005 [±0.0127] | DRAWN BY G. RODRIGUEZ | REGAL ™ Regal Beloit America, Inc. |
| ECO ECO-0159881 | APPROVED BY CD | DATE 01/11/2019 | | DATE 12-01-2017 | |
| ECO DESCRIPTION ADDED DD10199-001 | | | REMOVE BURRS & BREAK SHARP EDGES: .003/.015 [.076/.381] CORNER FILLETS: .02 [.51] MACHINED SURFACES: 125 INCH 3.2 mm | APPROVED BY J. A. MORENO | DESCRIPTION CONN DIAGRAM-EXTERNAL |
| COPYRIGHT REGAL BELOIT AMERICA, INC. ALL RIGHTS RESERVED. PROPRIETARY AND CONFIDENTIAL INFORMATION - THIS DOCUMENT IS THE PROPERTY OF REGAL BELOIT AMERICA, INC. ("OWNER") AND CONTAINS OWNER'S PROPRIETARY INFORMATION. ANY PERSON, CORPORATION OR OTHER FIRM RECEIVING IT IS DEEMED, BY RECEIVING IT, TO AGREE THAT IT, AND/OR ANY PART OF IT, SHALL NOT BE DISCLOSED TO ANY PERSON, CORPORATION OR OTHER ENTITY, DUPLICATED, AND/OR USED, EXCEPT AS EXPRESSLY APPROVED IN WRITING IN ADVANCE BY OWNER. THIS DOCUMENT SHALL BE RETURNED TO OWNER UPON REQUEST. IT MAY BE SUBJECT TO CERTAIN RESTRICTIONS UNDER APPLICABLE EXPORT CONTROL LAWS AND REGULATIONS. | | | THIRD ANGLE PROJECTION | REFERENCE CDTD103 | MATERIAL |
| | | | mm SHOWN IN [BRACKETS] | DATE 12-01-2017 | PROCESS/FINISH |
| | | | | SIZE B | DRAWING NUMBER CDTD127 |
| | | | | | SHEET 1 OF 1 |

4

3

2

1

CERTIFICATION DATA SHEET

Model#: 145TTDR16085 AA
CONN. DIAGRAM: CDTD103
OUTLINE: OL56100034-001

WINDING#: ZT6139 DR 3
ASSEMBLY: F1 ONLY

TYPICAL MOTOR PERFORMANCE DATA

| HP | KW | SYNC. RPM | F.L. RPM | FRAME | ENCLOSURE | KVA CODE | DESIGN |
|-------|---------|-----------|----------|-------|-----------|----------|--------|
| 1&3/4 | .75&.56 | 1200 | 1160&965 | 145TC | DP | K | B |

| PH | Hz | VOLTS | FL AMPS | START TYPE | DUTY | INSL | S.F | AMB°C | ELEVATION |
|----|-------|---------------------|----------------------|--------------------|----------------|------|----------|-------|-----------|
| 3 | 60/50 | 230/460#190/ 380 | 3.8/1.9&3.55/1 .8 | ACROSS THE LINE | CONTINUOU S | B3 | 1.15/1.0 | 40 | 3300 |

| FULL LOAD EFF: 82.5&82 | 3/4 LOAD EFF: 82.1 | 1/2 LOAD EFF: 78.9 | GTD. EFF | ELEC. TYPE | NO LOAD AMPS |
|---------------------------|--------------------|--------------------|----------|-----------------|--------------|
| FULL LOAD PF: 60&58 | 3/4 LOAD PF: 51.4 | 1/2 LOAD PF: 39.5 | 80 | SQ CAGE IND RUN | 2.7 / 1.4 |

| F.L. TORQUE | LOCKED ROTOR AMPS | L.R. TORQUE | B.D. TORQUE | F.L. RISE°C |
|-------------|-------------------|--------------|----------------|-------------|
| 4.5 LB-FT | 22 / 11 | 12 LB-FT 267 | 17.3 LB-FT 384 | 33 |

| SOUND PRESSURE @ 3 FT. | SOUND POWER | ROTOR WK^2 | MAX. WK^2 | SAFE STALL TIME | STARTS /HOUR | APPROX. MOTOR WGT |
|---------------------------|-------------|--------------|-----------|-----------------|-----------------|----------------------|
| 62 dBA | 72 dBA | 0.14 LB-FT^2 | 0 LB-FT^2 | 20 SEC. | 0 | 45 LBS. |

***** SUPPLEMENTAL INFORMATION *****

| DE BRACKET TYPE | ODE BRACKET TYPE | MOUNT TYPE | ORIENTATION | SEVERE DUTY | HAZARDOUS LOCATION | DRIP COVER | SCREENS | PAINT |
|--------------------|---------------------|---------------|-------------|----------------|-----------------------|---------------|---------|------------------|
| C-FACE | STANDARD | ROUND | HORIZONTAL | FALSE | NONE | FALSE | NONE | BLUE (POWDER) |

| BEARINGS | | GREASE | SHAFT TYPE | SPECIAL DE | SPECIAL ODE | SHAFT MATERIAL | FRAME MATERIAL |
|----------|------|------------|------------|------------|-------------|--------------------------------|-------------------|
| DE | OPE | | | | | | |
| BALL | BALL | POLYREX EM | T | NONE | NONE | 1144 STRESSPROOF (C-223) | ROLLED STEEL |
| 6205 | 6203 | | | | | | |

| THERMO-PROTECTORS | | | | THERMISTORS | CONTROL | SPACE /n HEATERS |
|-------------------|------------|----------|----------|-------------|---------|------------------|
| THERMOSTATS | PROTECTORS | WDG RTDs | BRG RTDs | | | |
| NONE | NOT | NONE | NONE | NONE | FALSE | NONE VOLTS |

If Inverter equals NONE, contact factory for further information

*
N
O
T
E
S
*

| |
|---------------------------|
| INVERTER TORQUE: NONE |
| INV. HP SPEED RANGE: NONE |
| ENCODER: NONE |
| NONE NONE |
| NONE NONE PPR |
| BRAKE: NONE NONE |
| NONE P/N NONE |
| NONE NONE |
| NONE FT-LB NONE V NONE Hz |

DATE: 06/23/2017 04:40:15 AM
 FORM 3531 REV.3 02/07/99

** Subject to change without notice.

Data Sheet

Date: 6/19/2017

145TTDR16085

Customer: _____

Attention: _____

Submitted by: FAREEDA DUDEKULA



Submittal

Data @ 460 V

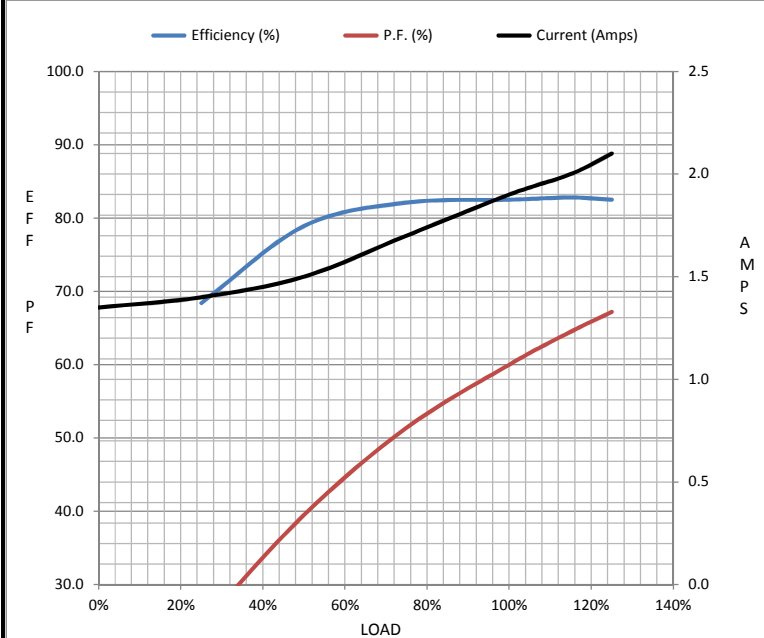
Motor Load Data

| Load | 0% | 25% | 50% | 75% | 100% | 115% | 125% | LR |
|----------------|------|------|------|------|------|-------|------|------|
| Current (Amps) | 1.35 | 1.40 | 1.50 | 1.70 | 1.90 | 2.00 | 2.10 | 11.0 |
| Torque (ft-lb) | 0.00 | 1.10 | 2.20 | 3.4 | 4.5 | 5.2 | 5.7 | 12.0 |
| RPM | 1200 | 1190 | 1180 | 1170 | 1160 | 1,150 | 1145 | 0 |
| Efficiency (%) | | 68.4 | 78.9 | 82.1 | 82.5 | 82.8 | 82.5 | |
| P.F. (%) | 7.3 | 24.4 | 39.5 | 51.4 | 60.0 | 64.5 | 67.2 | 59.0 |

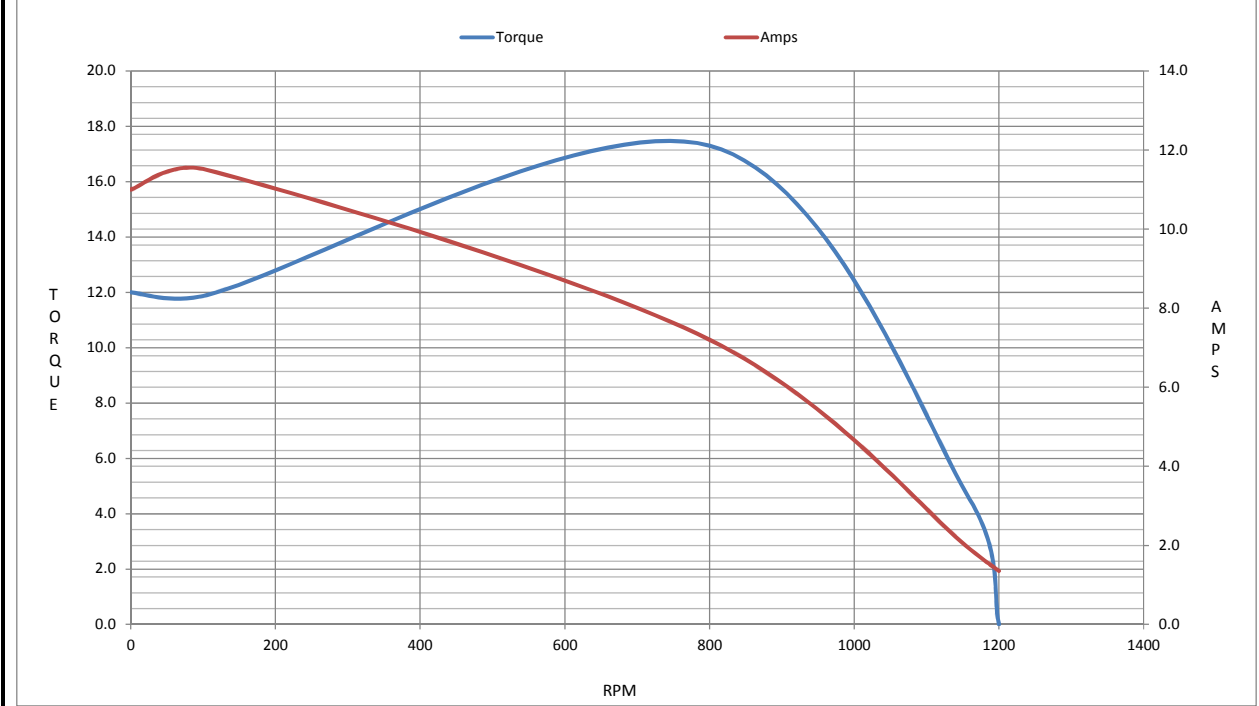
Motor Speed Data

| | LR | Pull-Up | BD | Rated | Idle |
|----------------|------|---------|------|-------|------|
| Speed (RPM) | 0 | 105 | 800 | 1160 | 1200 |
| Current (Amps) | 11.0 | 11.5 | 7.2 | 1.90 | 1.35 |
| Torque (ft-lb) | 12.0 | 11.9 | 17.3 | 4.5 | 0.00 |

| Information Block | | | | |
|-----------------------------|-------------------------|--------|--------|--------|
| HP | 1.0 | | | |
| Sync. RPM | 1200 | | | |
| Frame | 145 | | | |
| Enclosure | ODP | | | |
| Construction | TDR | | | |
| Voltage | 30/460#190/381V | | | |
| Frequency | 60 Hz | | | |
| Design | B | | | |
| LR Code letter | K | | | |
| Service Factor | 1.15 | | | |
| Temp Rise @ FL | 33 ° C | | | |
| Duty | CONT | | | |
| Ambient | 40 ° C | | | |
| Elevation | 1,000 feet | | | |
| Rotor/Shaft wk ² | 0.14 Lb-Ft ² | | | |
| Ref Wdg | ZT6139 DR | | | |
| Sound Pressure @ 1M | 62 dBA | | | |
| VFD Rating | NONE | | | |
| Outline Dwg | OL56100034-001 | | | |
| Conn. Diag | CTDD103 | | | |
| Additional Specifications: | | | | |
| 0 | | | | |
| 0 | | | | |
| EQUIV CKT (OHMS / PHASE) | | | | |
| R1 | R2 | X1 | X2 | Xm |
| 0.0000 | 0.0000 | 0.0000 | 0.0000 | 0.0000 |



Speed -Torque Curve



EC Declaration of Conformity

The undersigned representing
the manufacturer:

Regal Beloit America
100 East Randolph St.
Wausau, WI 54401

and the authorized representative
established within the Community:

Marathon Electric UK
6F Thistleton Road Ind. Estate
Market Overton
Oakham, Rutland LE15 7PP UK

are committed to providing customers with products that comply with applicable regulations and international protocols to which they are subject, including the requirements of the European Parliament Directive on the Harmonization of the laws relating to electrical equipment designed for use within certain voltage limits (2014/35/EU).

Regal Beloit America declares that the following product(s), to which this declaration relates, are in conformity with the relevant sections of the EC standards listed below.

This statement supersedes any statements previously issued pertaining to the product(s) listed below and is subject to change without notice.

Model No : 145TTDR16085

(Model No. may contain prefix and/or suffix characters)

Catalog No : C150B

Rework No : N/A

Directives :

Low Voltage Directive 2014/35/EU

Harmonized Standards Used :

EN 60034-1: 2010 (IEC 60034-1: 2010)

EN 60034-5: 2001/A1:2007 (IEC 60034-5: 2000/A1:2006)

Authorized Representative:



Michael A. Logsdon
Vice President, Technology

Authorized Representative in the Community:



Julian Clark
Marketing Engineer

Created on 09/01/2022

CE 22