

**BALDOR® • RELIANCE** 

**Product Information Packet**

**CBXM18542T**

**5//3HP,1750//1465RPM,3PH,60//50HZ,184TC**

Part Detail							
Revision:	-	Status:	PRD/A	Change #:		Proprietary:	No
Type:	AC	Elec. Spec:	06WGW352	CD Diagram:	CD0005	Mfg Plant:	
Mech. Spec:		Layout:	06LYJ271	Poles:	04	Created Date:	05-07-2021
Base:		Eff. Date:	05-17-2021	Leads:	9#16		

Specs			
Catalog Number:	CBXM18542T	Drip Cover:	No Drip Cover
Enclosure:	XPFC	Duty Rating:	CONT
Frame:	184TC	Electrically Isolated Bearing:	Not Electrically Isolated
Frame Material:	Iron	Feedback Device:	NO FEEDBACK
Output @ Frequency:	5.000 HP @ 60 HZ	Heater Indicator:	No Heater
	3.000 HP @ 50 HZ	Insulation Class:	F
Synchronous Speed @ Frequency:	1800 RPM @ 60 HZ	Inverter Code:	Inverter Duty
Voltage @ Frequency:	190.0 V @ 50 HZ	IP Rating:	NONE
	230.0 V @ 60 HZ	KVA Code:	J
	380.0 V @ 50 HZ	Lifting Lugs:	Standard Lifting Lugs
	460.0 V @ 60 HZ	Locked Bearing Indicator:	Locked Bearing
XP Class and Group:	CLI GP D; CLII GP F,G	Motor Lead Termination:	Flying Leads
XP Division:	Division I	Motor Type:	0640M
Agency Approvals:	UR	Mounting Arrangement:	F1
	CSA EEV	Power Factor:	80
	CSA	Product Family:	General Purpose
Auxillary Box:	No Auxillary Box	Pulley Face Code:	C-Face
Auxillary Box Lead Termination:	None	Rodent Screen:	None

<b>Base Indicator:</b>	Rigid	<b>Shaft Ground Indicator:</b>	No Shaft Grounding
<b>Bearing Grease Type:</b>	Polyrex EM (-20F +300F)	<b>Shaft Rotation:</b>	Reversible
<b>Blower:</b>	None	<b>Speed Code:</b>	Single Speed
<b>Constant Torque Speed Range:</b>	6	<b>Motor Standards:</b>	NEMA
<b>Current @ Voltage:</b>	6.500 A @ 460.0 V	<b>Starting Method:</b>	Direct on line
	5.200 A @ 380.0 V	<b>Thermal Device - Bearing:</b>	None
	13.800 A @ 208.0 V	<b>Thermal Device - Winding:</b>	Normally Closed Thermostat
	13.000 A @ 230.0 V	<b>Vibration Sensor Indicator:</b>	No Vibration Sensor
	10.400 A @ 190.0 V	<b>Winding Thermal 1:</b>	None
<b>Design Code:</b>	B	<b>Winding Thermal 2:</b>	None
		<b>XP Temp Code:</b>	T3C

Nameplate NP0887XPSLEV										
NO.						CC	010A			
S/N						TEMP CODE	T3C			
SPEC.	06-0000-0916					INV.TYPE	PWM			
CAT.NO.	CBXM18542T					C HP FR	60	C HP TO	90	
HP	5//3					CT HZ FROM	6	CT HZ TO	60	
VOLTS	230/460//190/380					VT HZ FROM	6	VT HZ TO	60	
AMPS	13/6.5//10.4/5.2					MAG CUR	6.8/3.4			
RPM	1750//1465					MX RPM	2700			
HZ	60//50	PH	3	CL	F	NOM.EFF.	90.2			
SER.F.	1.00	DES	B	SL HZ	1.7	WK2	0.37			
FRAME	184TC	RATING	40C AMB-CONT							
1.15 SF ON SINE WAVE										

Parts List		
Part Number	Description	Quantity
SA393536	SA 06-0000-0916	1.000 EA
RA384188	RA 06-0000-0916	1.000 EA
LB1115N	LABEL,LIFTING DEVICE (ON ROLLS)	1.000 EA
LB1119N	WARNING LABEL	1.000 EA
LC0145B01	CONNECTION LABEL	1.000 EA
NP0887XPSLEV	SS XP INV UL CSA-EEV CC CL-I GP-D	1.000 EA
85XU0407S04	4X1/4 U DRIVE PIN STAINLESS	2.000 EA
85XU0407S04	4X1/4 U DRIVE PIN STAINLESS	4.000 EA
MN416A01	TAG-INSTAL-MAINT no wire (2100/bx) 4/22	1.000 EA
LB1081F	ALUM XP CAUTION LABEL (FS PLANT ONLY-	1.000 EA
HW3201A05	3/8-16 EYEBOLT	1.000 EA
06FH1007A01	FAN COVER, USE W/06EP1713	1.000 EA
HA1100A06	SCREEN, RODENT	1.000 EA
HW1001A31	LOCKWASHER 5/16, ZINC PLT.591 OD, .319 I	4.000 EA
10XN3118K40	5/16-18 X 2.75" HEX HD, GRADE 5	4.000 EA
34FN3002A02	EXTERNAL FAN, PLASTIC, .905/.907 HUB W/	1.000 EA
51XB0818A12	8-18X3/4 HXWSSLD SERTYB	1.000 EA
MJ1000A02	GREASE, MOBIL POLYREX EM - 124047	0.050 LB
06EP1713A01	FREP XP 205 BRG, W/GRSR, USE W/06FH1007	1.000 EA
10XN3118K20	5/16-18 X 1 1/4 GRADE 5 STEEL ZC PLATED	4.000 EA
HW1001A31	LOCKWASHER 5/16, ZINC PLT.591 OD, .319 I	4.000 EA
84XN3816J20	3/8-16 X 1 1/4 SOC HD CAP SCREW,BLK OXID	4.000 EA
HW5100A05	WVY WSHR F/205 & 304 BRGS	1.000 EA
HW4500A19	1/4-28X1/4 SLOTTED PLUG F/S	2.000 EA

Parts List (continued)		
Part Number	Description	Quantity
HA6097A09	STD 'C' FLANGE ADAPTOR NEMA 182-4TC	1.000 EA
13XT0832A07	8-32X7/16 TYP 23 PAN HD SLT DX	4.000 EA
06EP1707A01	STD XP PU EP 182-4TC 206 BRG 306M	1.000 EA
HW1001A31	LOCKWASHER 5/16, ZINC PLT.591 OD, .319 I	4.000 EA
10XN3118K20	5/16-18 X 1 1/4 GRADE 5 STEEL ZC PLATED	4.000 EA
51XN1032A20	10-32 X 1 1/4 HX WS SL SR	2.000 EA
HW4001A01	1/4 HX SOC PIPE PLG (F/S) ALLOY STEEL W/	2.000 EA
60XN1032A07	10-32 X .4375 TRUSS HEAD, TORX SERRATED	2.000 EA
07CB1000A02	CONDUIT BOX, MODEL 306,EXP. PROOF	1.000 EA
10XN2520A14	1/4 20X7/8 HX HD CAP	4.000 EA
HW1001A25	LOCKWASHER 1/4, ZINC PLT .493 OD, .255 I	4.000 EA
WD1000B17	T&B CX35TN OR L35P TERMINAL LUG	1.000 EA
11XW1032G06	10-32 X .38, TAPTITE II, HEX WSHR SLTD U	1.000 EA
07CB1502A01	CONDUIT BOX LID MACH (DUCTILE IRON)	1.000 EA
10XN2520K16	1/4-20 X 1" HX HD SCRW GRADE 5, ZINC P	4.000 EA
HW1001A25	LOCKWASHER 1/4, ZINC PLT .493 OD, .255 I	4.000 EA
47BK3100DQB	1-087-331-02-DQB BRAKE	1.000 EA
84XN3816J20	3/8-16 X 1 1/4 SOC HD CAP SCREW,BLK OXID	4.000 EA
HW2501D13	KEY, 3/16 SQ X 1.375	1.000 EA
MG1500Y02	WILKOPON PRIMER YELLOW	0.022 GA
MG1025G29	WILKOFASST, 789.229, DARK CHARCOAL GRAY	0.022 GA
37PA1039	PALLET PACK GROUP, BLANK PK1148	1.000 EA
HW2501E16	KEY, 1/4 SQ X 1.750	1.000 EA
HA7000A02	KEY RETAINER RING, 1 1/8 DIA, 1 3/8 DIA	1.000 EA

**AC Induction Motor Performance Data**

Record # 88318

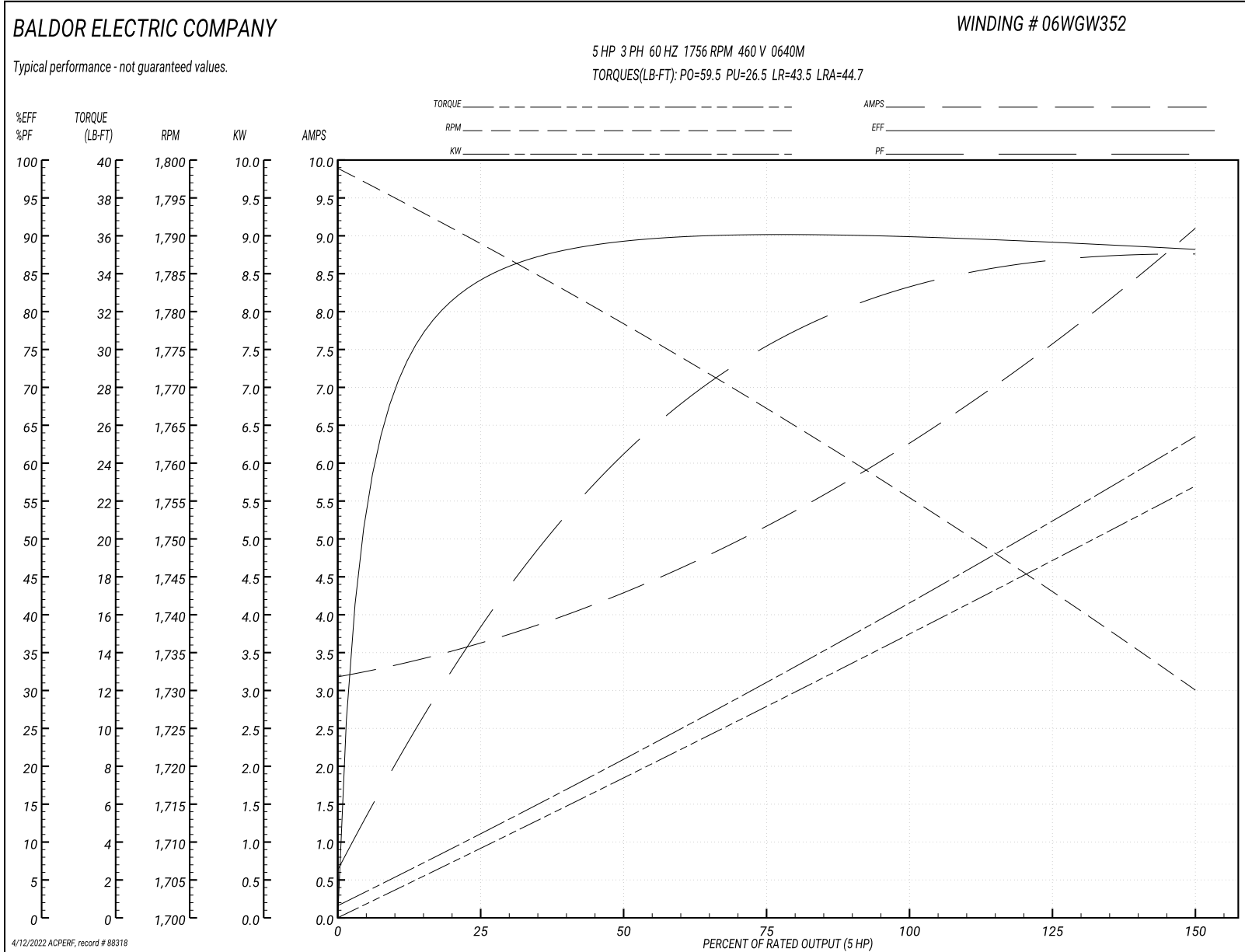
Typical performance - not guaranteed values

<b>Winding: 06WGW352-R037</b>		<b>Type: 0640M</b>		<b>Enclosure: XPFC</b>	
<b>Nameplate Data</b>			<b>460 V, 60 Hz: High Voltage Connection</b>		
<b>Rated Output (HP)</b>	5//3		<b>Full Load Torque</b>	15 LB-FT	
<b>Volts</b>	230/460//190/380		<b>Start Configuration</b>	direct on line	
<b>Full Load Amps</b>	13/6.5//10.4/5.2		<b>Breakdown Torque</b>	59.5 LB-FT	
<b>R.P.M.</b>	1750//1465		<b>Pull-up Torque</b>	26.5 LB-FT	
<b>Hz</b>	60//50	<b>Phase</b>	3	<b>Locked-rotor Torque</b>	43.5 LB-FT
<b>NEMA Design Code</b>	<b>B KVA Code</b>		J	<b>Starting Current</b>	44.7 A
<b>Service Factor (S.F.)</b>			1	<b>No-load Current</b>	3.26 A
<b>NEMA Nom. Eff.</b>	90.2	<b>Power Factor</b>	80	<b>Line-line Res. @ 25°C</b>	2.44 Ω
<b>Rating - Duty</b>	40C AMB-CONT			<b>Temp. Rise @ Rated Load</b>	40°C
				<b>Locked-rotor Power Factor</b>	52.1
				<b>Rotor inertia</b>	0.372 lb-ft <sup>2</sup>

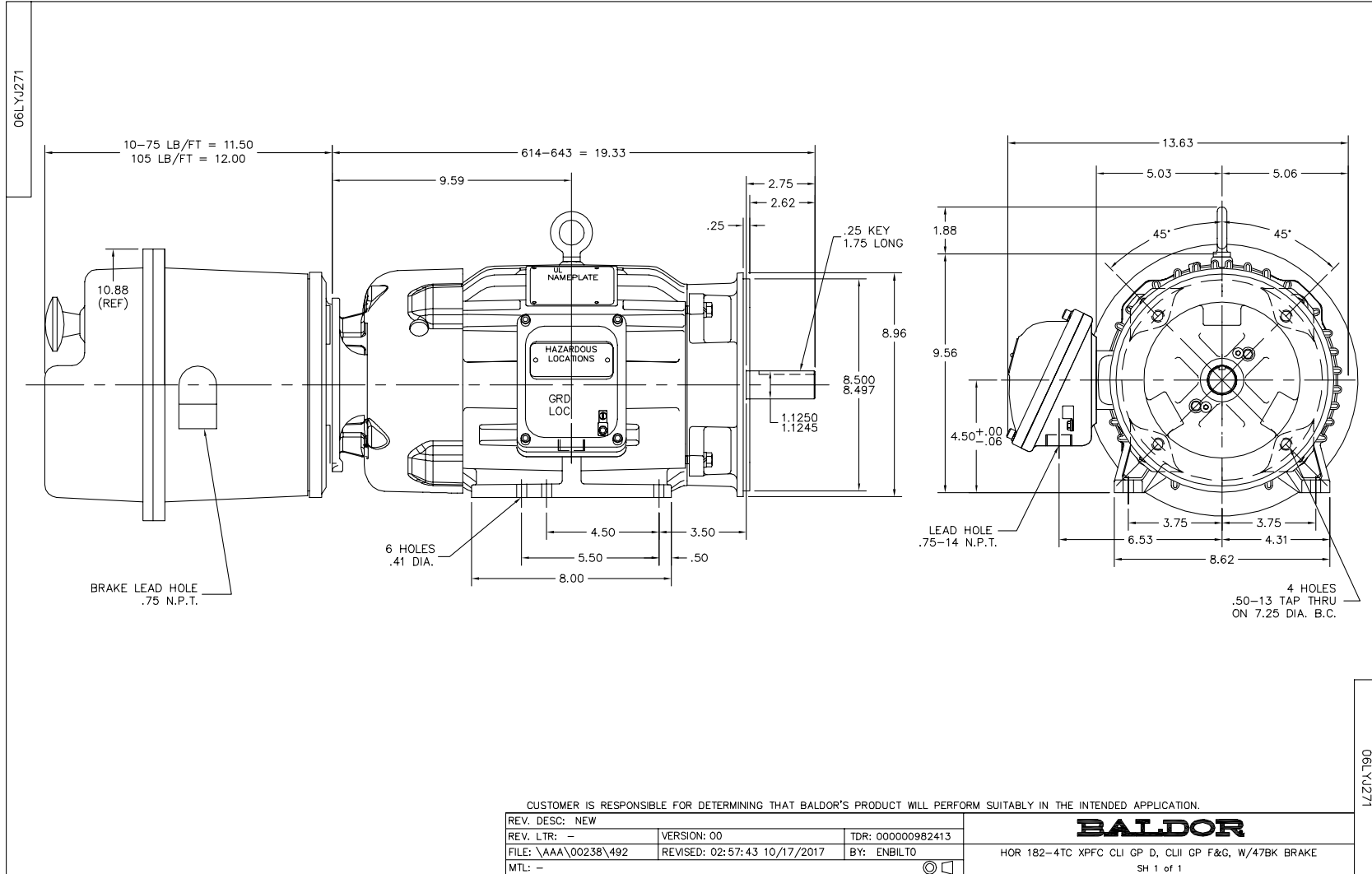
**Load Characteristics 460 V, 60 Hz, 5 HP**

<b>% of Rated Load</b>	<b>25</b>	<b>50</b>	<b>75</b>	<b>100</b>	<b>125</b>	<b>150</b>
<b>Power Factor</b>	40	62	75	82	86	88
<b>Efficiency</b>	83.9	89	90	89.9	89.2	88.2
<b>Speed</b>	1789	1778	1767	1756	1743	1730
<b>Line amperes</b>	3.54	4.22	5.19	6.34	7.62	9.03

Performance Graph at 460V, 60Hz, 5.0HP Typical performance - Not guaranteed values







CD0005

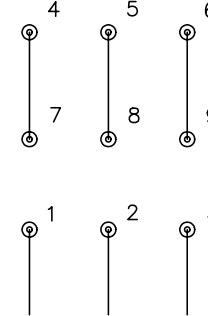


LOW VOLTAGE  
(2Y)



LINE

HIGH VOLTAGE  
(1Y)



LINE

NOTES:

1. INTERCHANGE ANY TWO LINE LEADS TO REVERSE ROTATION.
2. OPTIONAL THERMOSTATS ARE PROVIDED WHEN SPECIFIED.
3. ACTUAL NUMBER OF INTERNAL PARALLEL CIRCUITS MAY BE A MULTIPLE OF THOSE SHOWN ABOVE.
4. LEAD COLORS ARE OPTIONAL. LEADS MUST ALWAYS BE NUMBERED AS SHOWN.

REV. DESC: REVISE TO SHOW OPTIONAL COLORS

REV. LTR: E BY: JLP

REVISED: 01/19/99 10:15

TDR: 0171435

90000

FILE: AAA00005140

MDL: -

MTL: -

**BALDOR ELECTRIC Co.**

3PH, DV, 9 LEADS

CD0005

Marketing maintained PDF of MN416:

<http://www.baldor.com/support/Literature/Load.ashx/MN416?ManNumber=MN416>