

BALDOR® • RELIANCE 

Product Information Packet

CBXMN14142T

1//.75HP,1765//1465RPM,3PH,60//50HZ,143T

Part Detail							
Revision:	-	Status:	PRD/A	Change #:		Proprietary:	No
Type:	AC	Elec. Spec:	35WGP529	CD Diagram:	CD0005	Mfg Plant:	
Mech. Spec:		Layout:	35LYU456	Poles:	04	Created Date:	03-12-2021
Base:		Eff. Date:	04-08-2021	Leads:	9#18		

Specs			
Catalog Number:	CBXMN14142T	Electrically Isolated Bearing:	Not Electrically Isolated
Enclosure:	XPNV	Feedback Device:	NO FEEDBACK
Frame:	143TC	Heater Indicator:	No Heater
Frame Material:	Steel	Insulation Class:	F
Output @ Frequency:	1.000 HP @ 60 HZ	Inverter Code:	Inverter Duty
	.750 HP @ 50 HZ	IP Rating:	NONE
Synchronous Speed @ Frequency:	1800 RPM @ 60 HZ	KVA Code:	N
Voltage @ Frequency:	380.0 V @ 50 HZ	Lifting Lugs:	No Lifting Lugs
	460.0 V @ 60 HZ	Locked Bearing Indicator:	Locked Bearing
	190.0 V @ 50 HZ	Motor Lead Termination:	Flying Leads
	230.0 V @ 60 HZ	Motor Type:	3524M
XP Class and Group:	CLI GP D; CLII GP F,G	Mounting Arrangement:	F1
XP Division:	Division I	Power Factor:	70
Agency Approvals:	UR	Product Family:	General Purpose
	CSA EEV	Pulley Face Code:	C-Face
	CSA	Rodent Screen:	None
Auxillary Box:	No Auxillary Box	Shaft Ground Indicator:	No Shaft Grounding
Auxillary Box Lead Termination:	None	Shaft Rotation:	Reversible

Base Indicator:	Rigid	Speed Code:	Single Speed
Bearing Grease Type:	Polyrex EM (-20F +300F)	Motor Standards:	NEMA
Blower:	None	Starting Method:	Direct on line
Constant Torque Speed Range:	6	Thermal Device - Bearing:	None
Current @ Voltage:	3.000 A @ 230.0 V	Thermal Device - Winding:	Normally Closed Thermostat
	1.500 A @ 460.0 V	Vibration Sensor Indicator:	No Vibration Sensor
Design Code:	B	Winding Thermal 1:	None
Drip Cover:	No Drip Cover	Winding Thermal 2:	None
Duty Rating:	CONT	XP Temp Code:	T3C

Nameplate NP0887XPSLEV									
NO.					CC	010A			
S/N					TEMP CODE	T3C			
SPEC.	35-0000-1074				INV.TYPE	PWM			
CAT.NO.	CBXMN14142T				C HP FR	60		C HP TO	90
HP	1//.75				CT HZ FROM	6		CT HZ TO	60
VOLTS	230/460//190/380				VT HZ FROM	6		VT HZ TO	60
AMPS	3/1.5				MAG CUR	2/1			
RPM	1765//1465				MX RPM	2700			
HZ	60//50	PH	3	CL	F	NOM.EFF.	87.5		
SER.F.	1.00		DES	B	SL HZ	1.2		WK2	0.14
FRAME	143TC		RATING	40C AMB-CONT					
1.15 SF ON SINE WAVE									

Parts List		
Part Number	Description	Quantity
SA392342	SA 35-0000-1074	1.000 EA
RA382895	RA 35-0000-1074	1.000 EA
LB1119N	WARNING LABEL	1.000 EA
LC0145B01	CONNECTION LABEL	1.000 EA
NP0887XPSLEV	SS XP INV UL CSA-EEV CC CL-I GP-D	1.000 EA
85XU0407S04	4X1/4 U DRIVE PIN STAINLESS	2.000 EA
85XU0407S04	4X1/4 U DRIVE PIN STAINLESS	4.000 EA
MN416A01	TAG-INSTAL-MAINT no wire (2100/bx) 4/22	1.000 EA
NP0018F	ALUM UL XP CONDUIT BOX NAMEPLATE	1.000 EA
MJ1000A02	GREASE, MOBIL POLYREX EM - 124047	0.050 LB
HA3104A08	THRUBOLT-5/16-18X9.375 X X	4.000 EA
XY3118A12	5/16-18 HEX NUT DIRECTIONAL SERRATION	4.000 EA
35EP1703A01	FR ENDPLATE, MACH	1.000 EA
HW5100A03	WAVY WASHER (W1543-017)	1.000 EA
35EP1702A01	PU ENDPLATE, MACH	1.000 EA
84XN1032J20	SCREW, SOC 10-32 X 1 1/4"BMH4602	2.000 EA
HW4001A01	1/4 HX SOC PIPE PLG (F/S) ALLOY STEEL W/	2.000 EA
60XN1032A07	10-32 X .4375 TRUSS HEAD, TORX SERRATED	2.000 EA
35CB3001A02SP	EXPL PROOF CONDUIT BOX, 3/4"PIPE TAP LEA	1.000 EA
11XW1032G06	10-32 X .38, TAPTITE II, HEX WSHR SLTD U	1.000 EA
HW3001B01	BRASS CUP WASHER, FOR #10 SCREW	1.000 EA
35CB3500A01SP	CONDUIT BOX LID, MACH	1.000 EA
51XN2520A16	SCREW, HEX WS SLT, ZN, 1/4-20 X 1.00	4.000 EA
65BK3100BQB	1-065-331-05-BQB BRAKE X	1.000 EA

Parts List (continued)		
Part Number	Description	Quantity
84XN3816J12	3/8-16X 3/4 SOCK HD, BK OX	4.000 EA
HW2501D04	KEY, 3/16 SQ X 0.625	1.000 EA
MG1500Y02	WILKOPON PRIMER YELLOW	0.022 GA
MG1025G29	WILKOFAST, 789.229, DARK CHARCOAL GRAY	0.022 GA
G0PA1000	PKG GRP, PRINT PK1026A06	1.000 EA
HW2501D13	KEY, 3/16 SQ X 1.375	1.000 EA
HA7000A01	KEY RETAINER 7/8" DIA SHAFT	1.000 EA

AC Induction Motor Performance Data

Record # 81938

Typical performance - not guaranteed values

Winding: 35WGP529-R059		Type: 3524M		Enclosure: TENV	
Nameplate Data			460 V, 60 Hz: High Voltage Connection		
Rated Output (HP)		1	Full Load Torque		2.99 LB-FT
Volts	208-230/460//190/380		Start Configuration		direct on line
Full Load Amps	3.1-3/1.5//3.4/1.7		Breakdown Torque		15.8 LB-FT
R.P.M.	1765//1460		Pull-up Torque		9.1 LB-FT
Hz	60//50 Phase	3	Locked-rotor Torque		11 LB-FT
NEMA Design Code	B KVA Code	N	Starting Current		15 A
Service Factor (S.F.)		1	No-load Current		1.02 A
NEMA Nom. Eff.	87.5 Power Factor	70	Line-line Res. @ 25°C		11.2 Ω
Rating - Duty	40C AMB-30 MIN		Temp. Rise @ Rated Load		26°C
			Locked-rotor Power Factor		48.9
			Rotor inertia		0.142 lb-ft ²

Load Characteristics 460 V, 60 Hz, 1 HP

% of Rated Load	25	50	75	100	125	150
Power Factor	28	48	60	70	76	81
Efficiency	74.2	83.5	86.6	87.8	87.3	87
Speed	1793	1785	1778	1770	1761	1753
Line amperes	1.07	1.18	1.33	1.53	1.76	2

Performance Graph at 460V, 60Hz, 1.0HP Typical performance - Not guaranteed values

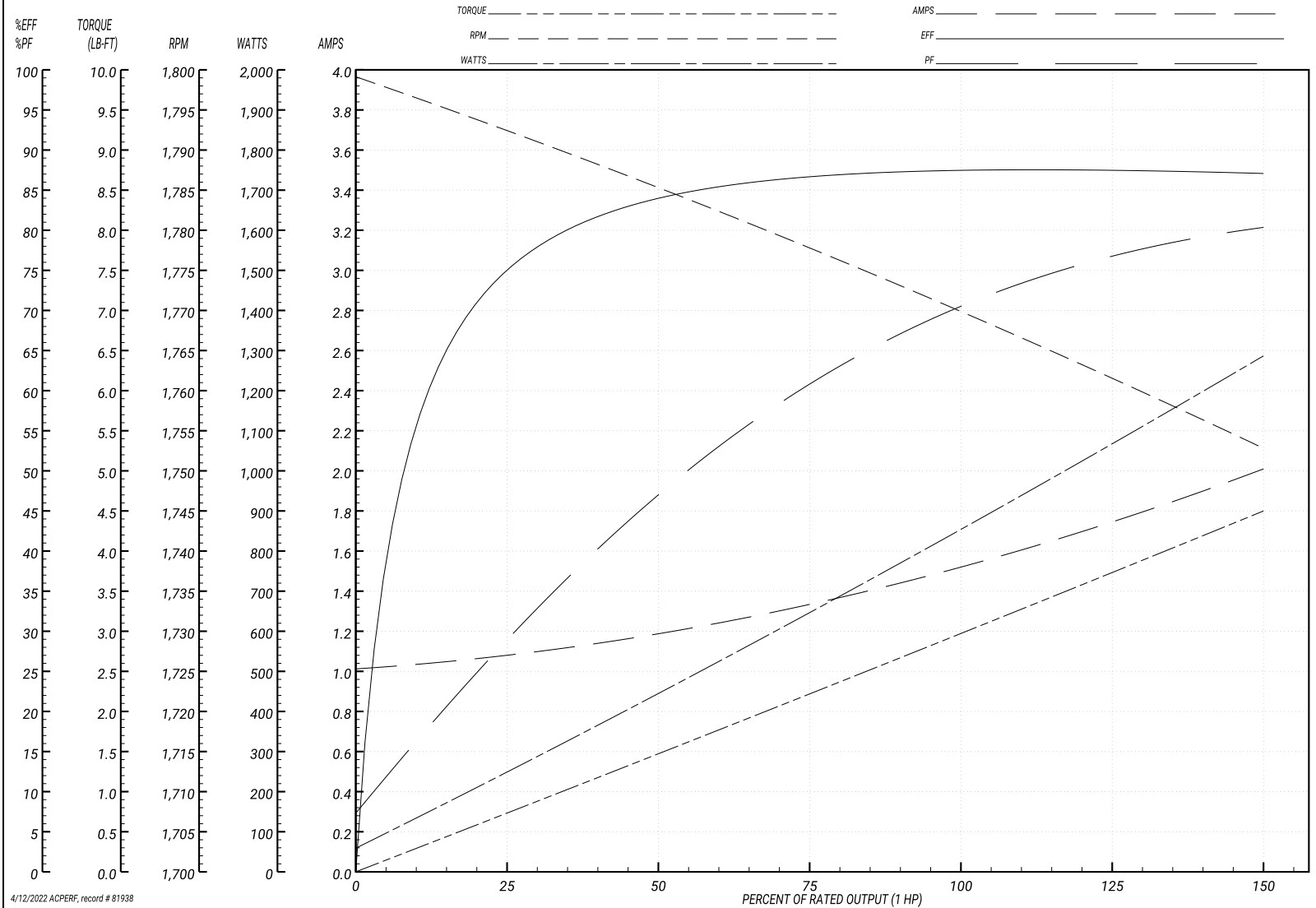
BALDOR ELECTRIC COMPANY

WINDING # 35WGP529

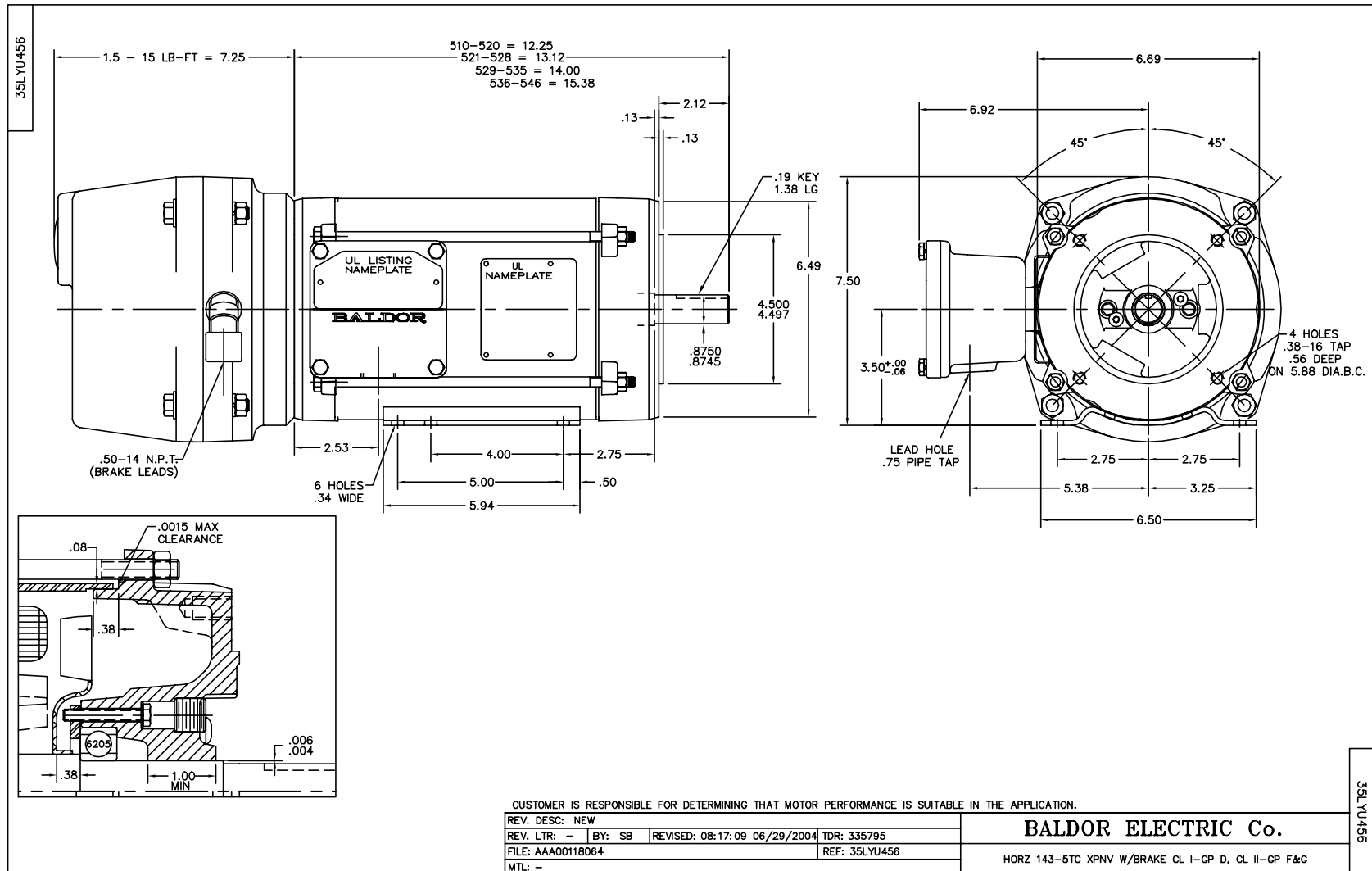
Typical performance - not guaranteed values.

1 HP 3 PH 60 HZ 1770 RPM 460 V 3524M

TORQUES(LB-FT): PO=15.8 PU=9.1 LR=11 LRA=15



4/12/2022 ACPERF, record # 81938



CD0005



LOW VOLTAGE
(2Y)



LINE

HIGH VOLTAGE
(1Y)



LINE

NOTES:

1. INTERCHANGE ANY TWO LINE LEADS TO REVERSE ROTATION.
2. OPTIONAL THERMOSTATS ARE PROVIDED WHEN SPECIFIED.
3. ACTUAL NUMBER OF INTERNAL PARALLEL CIRCUITS MAY BE A MULTIPLE OF THOSE SHOWN ABOVE.
4. LEAD COLORS ARE OPTIONAL. LEADS MUST ALWAYS BE NUMBERED AS SHOWN.

REV. DESC: REVISE TO SHOW OPTIONAL COLORS			
REV. LTR: E	BY: JLP	REVISED: 01/19/99 10:15	TDR: 0171435
90000		FILE: AAA00005140	MDL: -
		MTL: -	

BALDOR ELECTRIC Co.

3PH, DV, 9 LEADS

CD0005

Marketing maintained PDF of MN416:

<http://www.baldor.com/support/Literature/Load.ashx/MN416?ManNumber=MN416>