

**BALDOR® • RELIANCE** 

**Product Information Packet**

**CCPX18346T**

**3HP, 1755//1465RPM, 3PH, 60HZ, 182TC, XPFC, F1**

Part Detail							
Revision:	B	Status:	PRD/A	Change #:		Proprietary:	No
Type:	AC	Elec. Spec:	06WGX181	CD Diagram:	CD0005	Mfg Plant:	
Mech. Spec:		Layout:	06LYK422	Poles:	04	Created Date:	04-17-2019
Base:		Eff. Date:	09-18-2020	Leads:	9#16		

Specs			
Catalog Number:	CCPX18346T	Electrically Isolated Bearing:	Not Electrically Isolated
Enclosure:	XPFC	Enclosure Modification:	Severe Duty Features
Frame:	182TC	Feedback Device:	NO FEEDBACK
Frame Material:	Iron	Heater Indicator:	No Heater
Output @ Frequency:	2.000 HP @ 50 HZ	Insulation Class:	F
	3.000 HP @ 60 HZ	Inverter Code:	Inverter Duty
Synchronous Speed @ Frequency:	1800 RPM @ 60 HZ	IP Rating:	IP55
Voltage @ Frequency:	230.0 V @ 60 HZ	KVA Code:	J
	380.0 V @ 50 HZ	Lifting Lugs:	Standard Lifting Lugs
	460.0 V @ 60 HZ	Locked Bearing Indicator:	Locked Bearing
	190.0 V @ 50 HZ	Motor Lead Termination:	Flying Leads
XP Class and Group:	CLI GP C,D; CLII GP E,F,G	Motor Type:	0632M
XP Division:	Division I	Mounting Arrangement:	F1
Agency Approvals:	UR	Power Factor:	77
	CSA EEV	Product Family:	Super-E Chemical Processing
	CSA	Pulley Face Code:	C-Face
Auxillary Box:	No Auxillary Box	Rodent Screen:	None
Auxillary Box Lead Termination:	None	RoHS Status:	ROHS NON-COMPLIANT

<b>Base Indicator:</b>	Rigid	<b>Shaft Ground Indicator:</b>	No Shaft Grounding
<b>Bearing Grease Type:</b>	Polyrex EM (-20F +300F)	<b>Shaft Rotation:</b>	Reversible
<b>Blower:</b>	None	<b>Speed Code:</b>	Single Speed
<b>Constant Torque Speed Range:</b>	6	<b>Motor Standards:</b>	NEMA
<b>Current @ Voltage:</b>	8.200 A @ 230.0 V	<b>Starting Method:</b>	Direct on line
	7.000 A @ 190.0 V	<b>Thermal Device - Bearing:</b>	None
	4.100 A @ 460.0 V	<b>Thermal Device - Winding:</b>	Normally Closed Thermostat
	3.500 A @ 380.0 V	<b>Vibration Sensor Indicator:</b>	No Vibration Sensor
<b>Design Code:</b>	B	<b>Winding Thermal 1:</b>	None
<b>Drip Cover:</b>	No Drip Cover	<b>Winding Thermal 2:</b>	None
<b>Duty Rating:</b>	CONT	<b>XP Temp Code:</b>	T3C

Nameplate NP2033XPSLEV											
NO.					CC	010A					
S/N					TEMP CODE	T3C					
SPEC.	06-0000-0104				INV.TYPE	PWM					
CAT.NO.	CCPX18346T				C HP FR	60		C HP TO	90		
HP	3//2				CT HZ FROM	6		CT HZ TO	60		
VOLTS	230/460//190/380				VT HZ FROM	6		VT HZ TO	60		
AMPS	8.2/4.1//7/3.5				MAG CUR	4.2/2.1					
RPM	1755//1465				MX RPM	2700					
HZ	60//50		PH	3		CL	F		NOM.EFF.	89.5	
SER.F.	1.00		DES	B		SL HZ	1.7		WK2	0.3	
FRAME	182TC		RATING	40C AMB-CONT							
BLANK	1.15 SF SINEWAVE										
	55C AMB @ 1.0 SF								NEMA MG-1 PT 5,IP55		

Parts List		
Part Number	Description	Quantity
SA368619	SA 06-0000-0104	1.000 EA
RA358141	RA 06-0000-0104	1.000 EA
LB1115N	LABEL,LIFTING DEVICE (ON ROLLS)	1.000 EA
LB1119N	WARNING LABEL	1.000 EA
LC0145B01	CONNECTION LABEL	1.000 EA
NP2033XPSLEV	SS XP INV UL CSA-EEV CC CL-I GP-C&D	1.000 EA
85XU0407S04	4X1/4 U DRIVE PIN STAINLESS	2.000 EA
85XU0407S04	4X1/4 U DRIVE PIN STAINLESS	4.000 EA
MN416A01	TAG-INSTAL-MAINT no wire (2100/bx) 4/22	1.000 EA
LB1081F	ALUM XP CAUTION LABEL (FS PLANT ONLY-	1.000 EA
HW3201A05	3/8-16 EYEBOLT	1.000 EA
06FH1003A05	FAN COVER, CAST X-PROOF W/DRAIN SLOT	1.000 EA
51XN1032A14	10-32 X 0.875 HX WS SL SR	4.000 EA
36FN3000C01SP	EXFN, PLASTIC, 5.25 OD, .912 ID	1.000 EA
51XB1214A16	12-14X1.00 HXWSSLD SERTYB	1.000 EA
MJ1000A02	GREASE, MOBIL POLYREX EM - 124047	0.050 LB
06EP1709A10	FREP X06M - XPFC FOR GROUP C&E W/GREASER	1.000 EA
10XN3118K20	5/16-18 X 1 1/4 GRADE 5 STEEL ZC PLATED	4.000 EA
HW1001A31	LOCKWASHER 5/16, ZINC PLT.591 OD, .319 I	4.000 EA
HA2009A46	SLINGER FOR GROUP E MTRS - 205 BRG.	1.000 EA
80XN0632A10	SET SCREW,#6-32 X .62 LG.HEX SOC. HD.	2.000 EA
HW5100A05	WVY WSHR F/205 & 304 BRGS	1.000 EA
HW4500A01	1641B(ALEMITE)400 UNIV, GREASE FITT	1.000 EA
HW4500A19	1/4-28X1/4 SLOTTED PLUG F/S	1.000 EA

Parts List (continued)		
Part Number	Description	Quantity
HW4506A02	BREATHER/DRAIN-EXP PROOF-.125-27 NPTF AI	1.000 EA
HW3022E05	.125 DIA X .500 ROLLED SPRING PIN	1.000 EA
06EP1707A20	PUEP XP 182-4TC 206 BRG 306M-GROUP C&E	1.000 EA
HW1001A31	LOCKWASHER 5/16, ZINC PLT.591 OD, .319 I	4.000 EA
10XN3118K20	5/16-18 X 1 1/4 GRADE 5 STEEL ZC PLATED	4.000 EA
HA2009A44	SLINGER FOR GROUP E MTRS - 06 BRG.	1.000 EA
80XN0632J06	SET SCREW, 6-32 X 3/8", HEX SOCKET, AS	2.000 EA
51XN1032A20	10-32 X 1 1/4 HX WS SL SR	2.000 EA
HW4001A01	1/4 HX SOC PIPE PLG (F/S) ALLOY STEEL W/	2.000 EA
60XN1032A07	10-32 X .4375 TRUSS HEAD, TORX SERRATED	2.000 EA
HW4506A02	BREATHER/DRAIN-EXP PROOF-.125-27 NPTF AI	1.000 EA
HW3022E05	.125 DIA X .500 ROLLED SPRING PIN	1.000 EA
07CB1000A02	CONDUIT BOX, MODEL 306,EXP. PROOF	1.000 EA
10XN2520A14	1/4 20X7/8 HX HD CAP	4.000 EA
HW1001A25	LOCKWASHER 1/4, ZINC PLT .493 OD, .255 I	4.000 EA
WD1000B17	T&B CX35TN OR L35P TERMINAL LUG	1.000 EA
11XW1032G06	10-32 X .38, TAPTITE II, HEX WSHR SLTD U	1.000 EA
07CB1502A01	CONDUIT BOX LID MACH (DUCTILE IRON)	1.000 EA
10XN2520K16	1/4-20 X 1" HX HD SCRW GRADE 5, ZINC P	4.000 EA
HW1001A25	LOCKWASHER 1/4, ZINC PLT .493 OD, .255 I	4.000 EA
MG1500Y02	WILKOPON PRIMER YELLOW	0.022 GA
MG1025G29	WILKOFASST, 789.229, DARK CHARCOAL GRAY	0.022 GA
G0PA1000	PKG GRP, PRINT PK1026A06	1.000 EA
HW2501E16	KEY, 1/4 SQ X 1.750	1.000 EA

HA7000A02	KEY RETAINER RING, 1 1/8 DIA, 1 3/8 DIA	1.000 EA
-----------	---	----------

**AC Induction Motor Performance Data**

Record # 35541

Typical performance - not guaranteed values

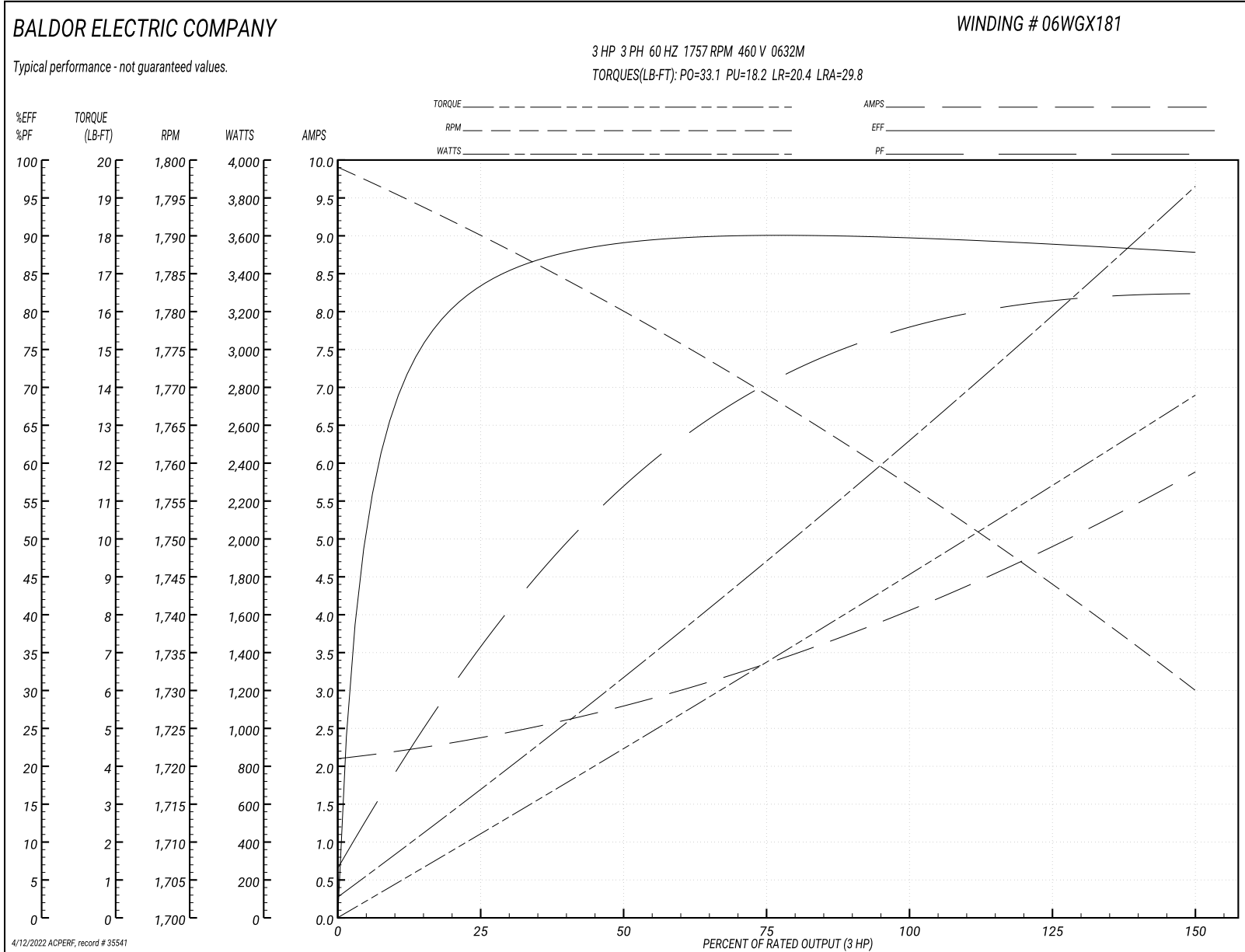
Winding: 06WGX181-R002		Type: 0632M	Enclosure: TEFC
<b>Nameplate Data</b>		<b>460 V, 60 Hz: High Voltage Connection</b>	
Rated Output (HP)	3//2	Full Load Torque	9.08 LB-FT
Volts	230/460//190/380	Start Configuration	direct on line
Full Load Amps	8.2/4.1//7/3.5	Breakdown Torque	33.1 LB-FT
R.P.M.	1755//1465	Pull-up Torque	18.2 LB-FT
Hz	60//50 Phase	Locked-rotor Torque	20.4 LB-FT
NEMA Design Code	B KVA Code	Starting Current	29.8 A
Service Factor (S.F.)	1	No-load Current	2.14 A
NEMA Nom. Eff.	89.5 Power Factor	Line-line Res. @ 25°C	3.93 Ω
Rating - Duty	40C AMB-CONT	Temp. Rise @ Rated Load	35°C
S.F. Amps		Temp. Rise @ S.F. Load	42°C
		Locked-rotor Power Factor	41.4
		Rotor inertia	0.298 LB-FT <sup>2</sup>

**Load Characteristics 460 V, 60 Hz, 3 HP**

% of Rated Load	25	50	75	100	125	150
Power Factor	38	58	70	77	81	83
Efficiency	83.5	88.9	90	89.8	89.1	87.7
Speed	1790	1779	1769	1757	1744	1730
Line amperes	2.34	2.79	3.39	4.1	4.91	5.86



Performance Graph at 460V, 60Hz, 3.0HP Typical performance - Not guaranteed values



**AC Induction Motor Performance Data**

Record # 50087

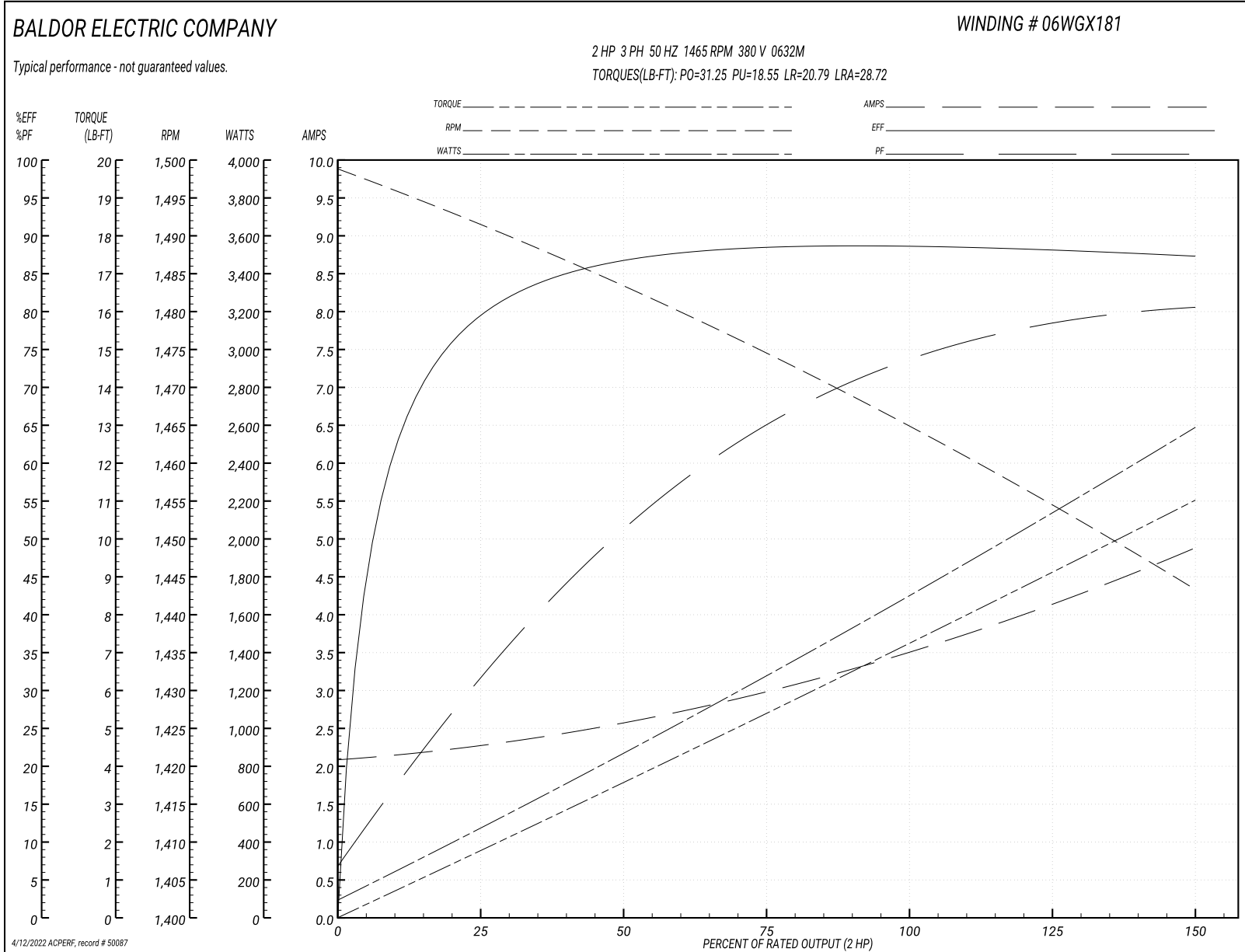
Typical performance - not guaranteed values

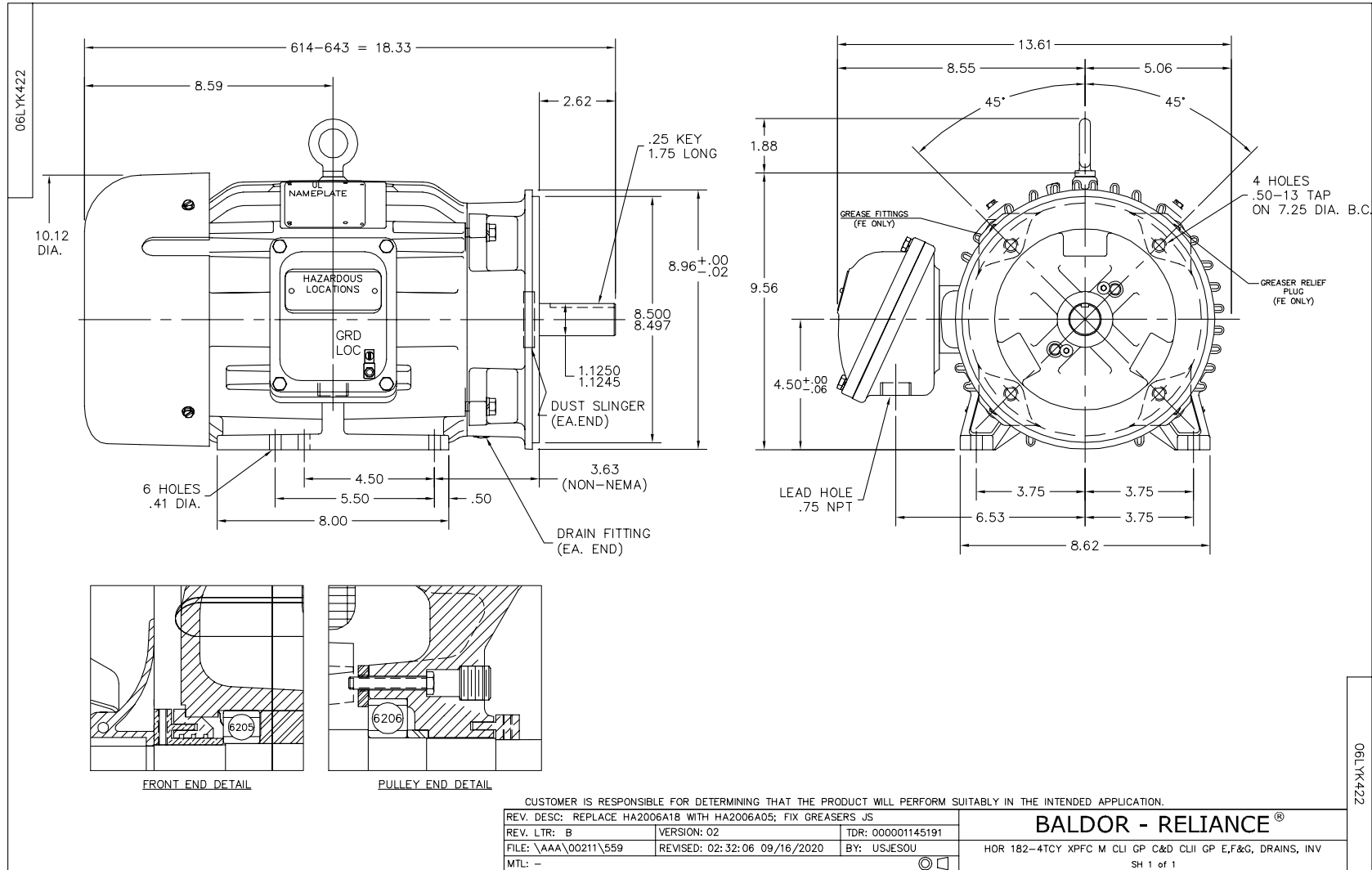
<b>Winding: 06WGX181-RXXX</b>		<b>Type: 0632M</b>		<b>Enclosure: TEFC</b>	
<b>Nameplate Data</b>			<b>380 V, 50 Hz: High Voltage Connection</b>		
<b>Rated Output (HP)</b>	3//2		<b>Full Load Torque</b>	7.25 LB-FT	
<b>Volts</b>	230/460//190/380		<b>Start Configuration</b>	direct on line	
<b>Full Load Amps</b>	8.2/4.1//7/3.5		<b>Breakdown Torque</b>	31.25 LB-FT	
<b>R.P.M.</b>	1755//1465		<b>Pull-up Torque</b>	18.55 LB-FT	
<b>Hz</b>	60//50	<b>Phase</b>	3	<b>Locked-rotor Torque</b>	20.79 LB-FT
<b>NEMA Design Code</b>	B	<b>KVA Code</b>	J	<b>Starting Current</b>	28.72 A
<b>Service Factor (S.F.)</b>	1		<b>No-load Current</b>	2.11 A	
<b>NEMA Nom. Eff.</b>	89.5	<b>Power Factor</b>	77	<b>Line-line Res. @ 25°C</b>	3.93 Ω
<b>Rating - Duty</b>	40C AMB-CONT		<b>Temp. Rise @ Rated Load</b>	28°C	
<b>S.F. Amps</b>			<b>Temp. Rise @ S.F. Load</b>	32°C	
			<b>Locked-rotor Power Factor</b>	46.1	
			<b>Rotor inertia</b>	0.298 LB-FT <sup>2</sup>	

**Load Characteristics 380 V, 50 Hz, 2 HP**

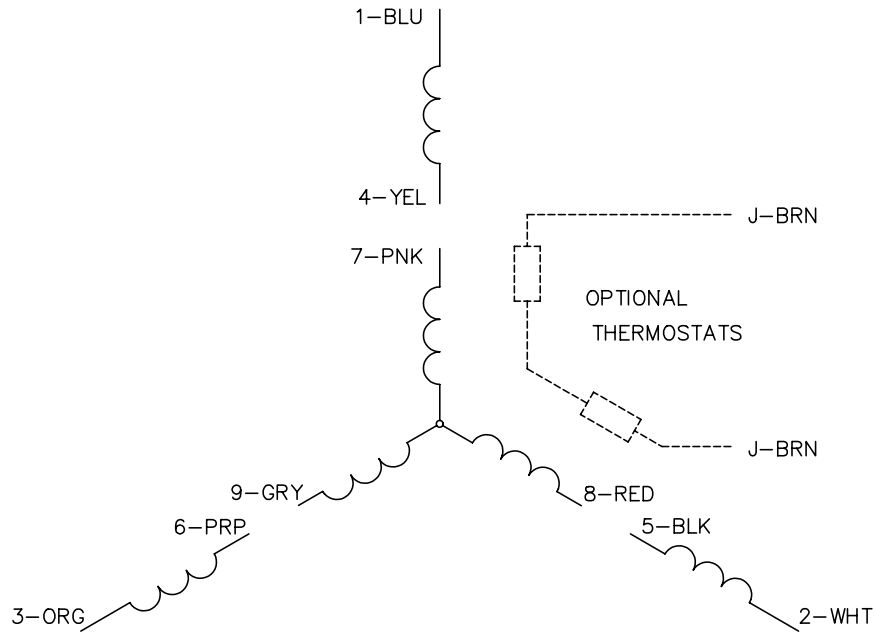
<b>% of Rated Load</b>	<b>25</b>	<b>50</b>	<b>75</b>	<b>100</b>	<b>125</b>	<b>150</b>
<b>Power Factor</b>	33	52	65	73	78	81
<b>Efficiency</b>	79.7	86.5	88.4	88.7	88.4	87.1
<b>Speed</b>	1491	1483	1474	1465	1455	1443
<b>Line amperes</b>	2.25	2.57	3.01	3.53	4.14	4.87

Performance Graph at 380V, 50Hz, 2.0HP Typical performance - Not guaranteed values

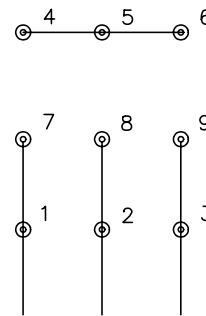




CD0005

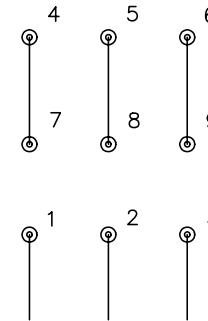


LOW VOLTAGE  
(2Y)



LINE

HIGH VOLTAGE  
(1Y)



LINE

NOTES:

1. INTERCHANGE ANY TWO LINE LEADS TO REVERSE ROTATION.
2. OPTIONAL THERMOSTATS ARE PROVIDED WHEN SPECIFIED.
3. ACTUAL NUMBER OF INTERNAL PARALLEL CIRCUITS MAY BE A MULTIPLE OF THOSE SHOWN ABOVE.
4. LEAD COLORS ARE OPTIONAL. LEADS MUST ALWAYS BE NUMBERED AS SHOWN.

REV. DESC: REVISE TO SHOW OPTIONAL COLORS

REV. LTR: E BY: JLP

REVISED: 01/19/99 10:15

TDR: 0171435

90000

FILE: AAA00005140

MDL: -

MTL: -

**BALDOR ELECTRIC Co.**

3PH, DV, 9 LEADS

CD0005

Marketing maintained PDF of MN416:

<http://www.baldor.com/support/Literature/Load.ashx/MN416?ManNumber=MN416>