

**BALDOR® • RELIANCE** 

**Product Information Packet**

**CCPX18546T**

**5HP,1750//1450RPM,3PH,60HZ,184TC,XPFC,F1**

Part Detail							
Revision:	C	Status:	PRD/A	Change #:		Proprietary:	No
Type:	AC	Elec. Spec:	06WGX182	CD Diagram:	CD0005	Mfg Plant:	
Mech. Spec:		Layout:	06LYK422	Poles:	04	Created Date:	04-17-2019
Base:		Eff. Date:	12-30-2020	Leads:	9#16		

Specs			
Catalog Number:	CCPX18546T	Electrically Isolated Bearing:	Not Electrically Isolated
Enclosure:	XPFC	Enclosure Modification:	Severe Duty Features
Frame:	184TC	Feedback Device:	NO FEEDBACK
Frame Material:	Iron	Heater Indicator:	No Heater
Output @ Frequency:	3.000 HP @ 50 HZ	Insulation Class:	F
	5.000 HP @ 60 HZ	Inverter Code:	Inverter Duty
Synchronous Speed @ Frequency:	1800 RPM @ 60 HZ	IP Rating:	IP55
Voltage @ Frequency:	230.0 V @ 60 HZ	KVA Code:	J
	380.0 V @ 50 HZ	Lifting Lugs:	Standard Lifting Lugs
	460.0 V @ 60 HZ	Locked Bearing Indicator:	Locked Bearing
	190.0 V @ 50 HZ	Motor Lead Termination:	Flying Leads
XP Class and Group:	CLI GP C,D; CLII GP E,F,G	Motor Type:	0642M
XP Division:	Division I	Mounting Arrangement:	F1
Agency Approvals:	UR	Power Factor:	79
	CSA EEV	Product Family:	Super-E Chemical Processing
	CSA	Pulley Face Code:	C-Face
Auxillary Box:	No Auxillary Box	Rodent Screen:	None
Auxillary Box Lead Termination:	None	RoHS Status:	ROHS NON-COMPLIANT

<b>Base Indicator:</b>	Rigid	<b>Shaft Ground Indicator:</b>	No Shaft Grounding
<b>Bearing Grease Type:</b>	Polyrex EM (-20F +300F)	<b>Shaft Rotation:</b>	Reversible
<b>Blower:</b>	None	<b>Speed Code:</b>	Single Speed
<b>Constant Torque Speed Range:</b>	6	<b>Motor Standards:</b>	NEMA
<b>Current @ Voltage:</b>	6.600 A @ 460.0 V	<b>Starting Method:</b>	Direct on line
	5.200 A @ 380.0 V	<b>Thermal Device - Bearing:</b>	None
	13.200 A @ 230.0 V	<b>Thermal Device - Winding:</b>	Normally Closed Thermostat
	10.400 A @ 190.0 V	<b>Vibration Sensor Indicator:</b>	No Vibration Sensor
<b>Design Code:</b>	B	<b>Winding Thermal 1:</b>	None
<b>Drip Cover:</b>	No Drip Cover	<b>Winding Thermal 2:</b>	None
<b>Duty Rating:</b>	CONT	<b>XP Temp Code:</b>	T3C

Nameplate NP2033XPSLEV										
NO.						CC	010A			
S/N						TEMP CODE	T3C			
SPEC.	06-0000-0102					INV.TYPE	PWM			
CAT.NO.	CCPX18546T					C HP FR	60	C HP TO	90	
HP	5//3					CT HZ FROM	6	CT HZ TO	60	
VOLTS	230/460//190/380					VT HZ FROM	6	VT HZ TO	60	
AMPS	13.2/6.6//10.4/5.2					MAG CUR	6/3			
RPM	1750//1450					MX RPM	2700			
HZ	60//50	PH	3	CL	F	NOM.EFF.	89.5			
SER.F.	1.00	DES	B	SL HZ	1.7	WK2	0.39			
FRAME	184TC					RATING	40C AMB-CONT			
BLANK	1.15 SF SINEWAVE									
	55C AMB @ 1.0 SF					NEMA MG-1 PT 5,IP55				

Parts List		
Part Number	Description	Quantity
SA368618	SA 06-0000-0102	1.000 EA
RA358140	RA 06-0000-0102	1.000 EA
LB1115N	LABEL,LIFTING DEVICE (ON ROLLS)	1.000 EA
LB1119N	WARNING LABEL	1.000 EA
LC0145B01	CONNECTION LABEL	1.000 EA
NP2033XPSLEV	SS XP INV UL CSA-EEV CC CL-I GP-C&D	1.000 EA
85XU0407S04	4X1/4 U DRIVE PIN STAINLESS	2.000 EA
85XU0407S04	4X1/4 U DRIVE PIN STAINLESS	4.000 EA
MN416A01	TAG-INSTAL-MAINT no wire (2100/bx) 4/22	1.000 EA
LB1081F	ALUM XP CAUTION LABEL (FS PLANT ONLY-	1.000 EA
HW3201A05	3/8-16 EYEBOLT	1.000 EA
06FH1003A05	FAN COVER, CAST X-PROOF W/DRAIN SLOT	1.000 EA
51XN1032A14	10-32 X 0.875 HX WS SL SR	4.000 EA
34FN3002A02	EXTERNAL FAN, PLASTIC, .905/.907 HUB W/	1.000 EA
51XB0818A12	8-18X3/4 HXWSSLD SERTYB	1.000 EA
MJ1000A02	GREASE, MOBIL POLYREX EM - 124047	0.050 LB
06EP1709A10	FREP X06M - XPFC FOR GROUP C&E W/GREASER	1.000 EA
10XN3118K20	5/16-18 X 1 1/4 GRADE 5 STEEL ZC PLATED	4.000 EA
HW1001A31	LOCKWASHER 5/16, ZINC PLT.591 OD, .319 I	4.000 EA
HA2009A46	SLINGER FOR GROUP E MTRS - 205 BRG.	1.000 EA
80XN0632A10	SET SCREW,#6-32 X .62 LG.HEX SOC. HD.	2.000 EA
HW5100A05	WVY WSHR F/205 & 304 BRGS	1.000 EA
HW4500A01	1641B(ALEMITE)400 UNIV, GREASE FITT	1.000 EA
HW4500A19	1/4-28X1/4 SLOTTED PLUG F/S	1.000 EA

Parts List (continued)		
Part Number	Description	Quantity
HW4506A02	BREATHER/DRAIN-EXP PROOF-.125-27 NPTF AI	1.000 EA
HW3022E05	.125 DIA X .500 ROLLED SPRING PIN	1.000 EA
06EP1707A20	PUEP XP 182-4TC 206 BRG 306M-GROUP C&E	1.000 EA
HW1001A31	LOCKWASHER 5/16, ZINC PLT.591 OD, .319 I	4.000 EA
10XN3118K20	5/16-18 X 1 1/4 GRADE 5 STEEL ZC PLATED	4.000 EA
HA2009A44	SLINGER FOR GROUP E MTRS - 06 BRG.	1.000 EA
80XN0632J06	SET SCREW, 6-32 X 3/8", HEX SOCKET, AS	2.000 EA
51XN1032A20	10-32 X 1 1/4 HX WS SL SR	2.000 EA
HW4001A01	1/4 HX SOC PIPE PLG (F/S) ALLOY STEEL W/	2.000 EA
60XN1032A07	10-32 X .4375 TRUSS HEAD, TORX SERRATED	2.000 EA
HW4506A02	BREATHER/DRAIN-EXP PROOF-.125-27 NPTF AI	1.000 EA
HW3022E05	.125 DIA X .500 ROLLED SPRING PIN	1.000 EA
07CB1000A02	CONDUIT BOX, MODEL 306,EXP. PROOF	1.000 EA
10XN2520A14	1/4 20X7/8 HX HD CAP	4.000 EA
HW1001A25	LOCKWASHER 1/4, ZINC PLT .493 OD, .255 I	4.000 EA
WD1000B17	T&B CX35TN OR L35P TERMINAL LUG	1.000 EA
11XW1032G06	10-32 X .38, TAPTITE II, HEX WSHR SLTD U	1.000 EA
07CB1502A01	CONDUIT BOX LID MACH (DUCTILE IRON)	1.000 EA
10XN2520K16	1/4-20 X 1" HX HD SCRW GRADE 5, ZINC P	4.000 EA
HW1001A25	LOCKWASHER 1/4, ZINC PLT .493 OD, .255 I	4.000 EA
MG1500Y02	WILKOPON PRIMER YELLOW	0.022 GA
MG1025G29	WILKOFASST, 789.229, DARK CHARCOAL GRAY	0.022 GA
G0PA1000	PKG GRP, PRINT PK1026A06	1.000 EA
HW2501E16	KEY, 1/4 SQ X 1.750	1.000 EA

HA7000A02	KEY RETAINER RING, 1 1/8 DIA, 1 3/8 DIA	1.000 EA
-----------	---	----------

**AC Induction Motor Performance Data**

Record # 39057

Typical performance - not guaranteed values

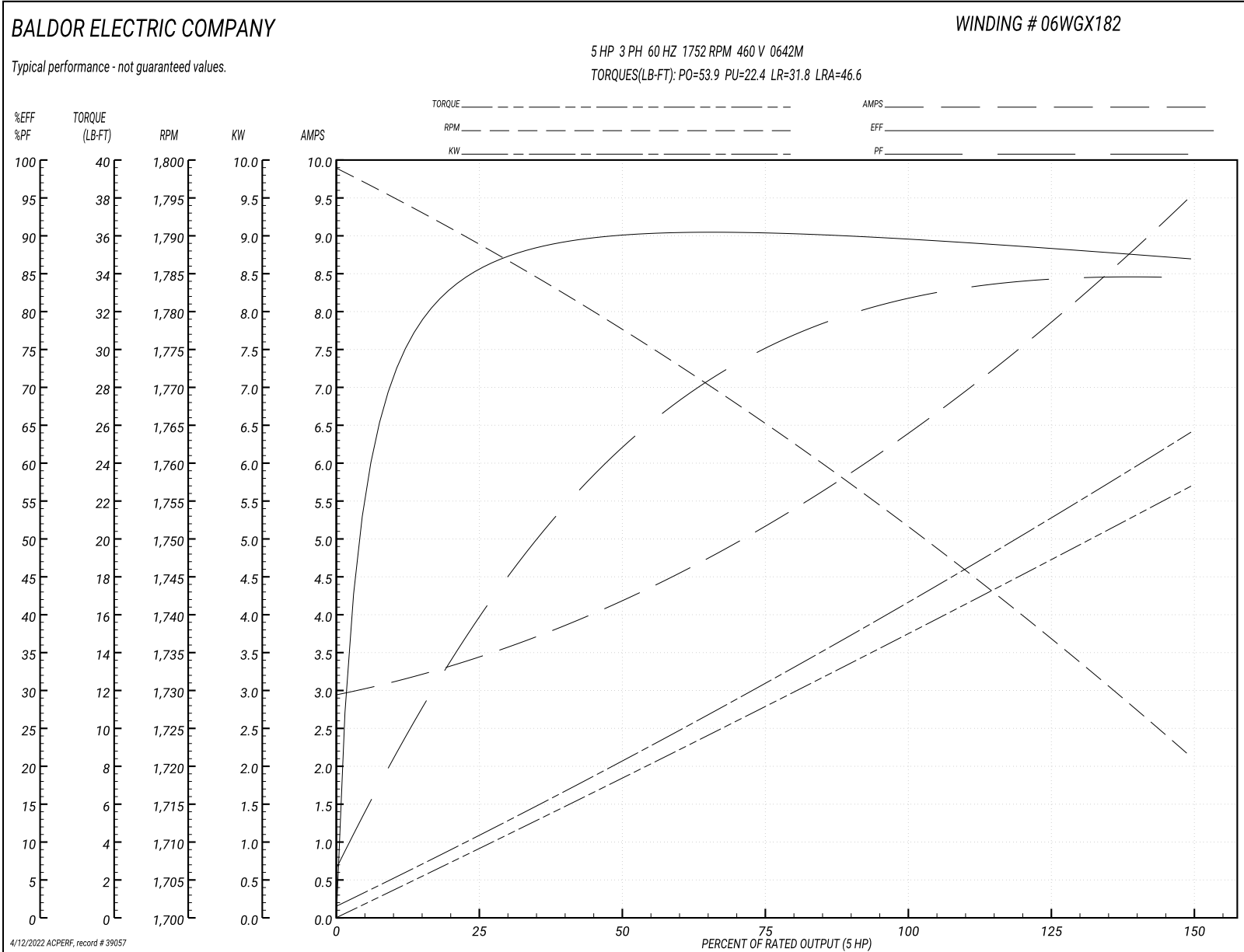
<b>Winding: 06WGX182-R030</b>		<b>Type: 0642M</b>		<b>Enclosure: TEFC</b>	
<b>Nameplate Data</b>			<b>460 V, 60 Hz: High Voltage Connection</b>		
<b>Rated Output (HP)</b>	5//3		<b>Full Load Torque</b>	15 LB-FT	
<b>Volts</b>	230/460//190/380		<b>Start Configuration</b>	direct on line	
<b>Full Load Amps</b>	13.2/6//10.4/5.2		<b>Breakdown Torque</b>	53.9 LB-FT	
<b>R.P.M.</b>	1750//1450		<b>Pull-up Torque</b>	22.4 LB-FT	
<b>Hz</b>	60//50	<b>Phase</b>	3	<b>Locked-rotor Torque</b>	31.8 LB-FT
<b>NEMA Design Code</b>	B	<b>KVA Code</b>	J	<b>Starting Current</b>	46.6 A
<b>Service Factor (S.F.)</b>	1.15		<b>No-load Current</b>	3.02 A	
<b>NEMA Nom. Eff.</b>	89.5	<b>Power Factor</b>	79	<b>Line-line Res. @ 25°C</b>	2.63 Ω
<b>Rating - Duty</b>	55C AMB-CONT		<b>Temp. Rise @ Rated Load</b>	53°C	
<b>S.F. Amps</b>			<b>Temp. Rise @ S.F. Load</b>	66°C	
			<b>Locked-rotor Power Factor</b>	40.5	
			<b>Rotor inertia</b>	0.391 LB-FT <sup>2</sup>	

**Load Characteristics 460 V, 60 Hz, 5 HP**

<b>% of Rated Load</b>	<b>25</b>	<b>50</b>	<b>75</b>	<b>100</b>	<b>125</b>	<b>150</b>	<b>S.F.</b>
<b>Power Factor</b>	41	63	75	81	84	85	81
<b>Efficiency</b>	85.1	89.7	90.3	89.8	88.4	86.8	88.7
<b>Speed</b>	1789	1777	1765	1752	1737	1721	1739
<b>Line amperes</b>	3.35	4.14	5.21	6.45	7.91	9.47	7.52



Performance Graph at 460V, 60Hz, 5.0HP Typical performance - Not guaranteed values



**AC Induction Motor Performance Data**

Record # 39058

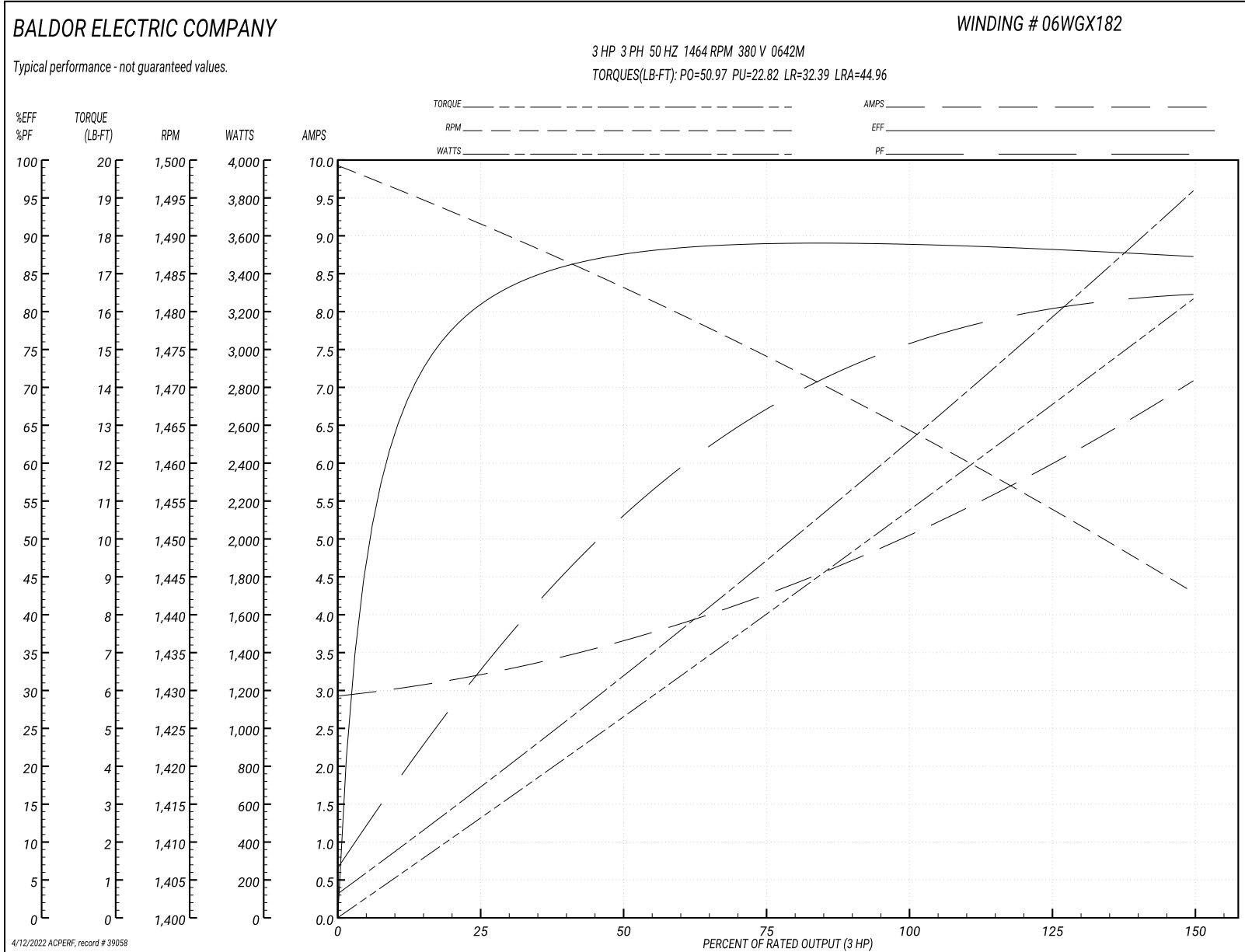
Typical performance - not guaranteed values

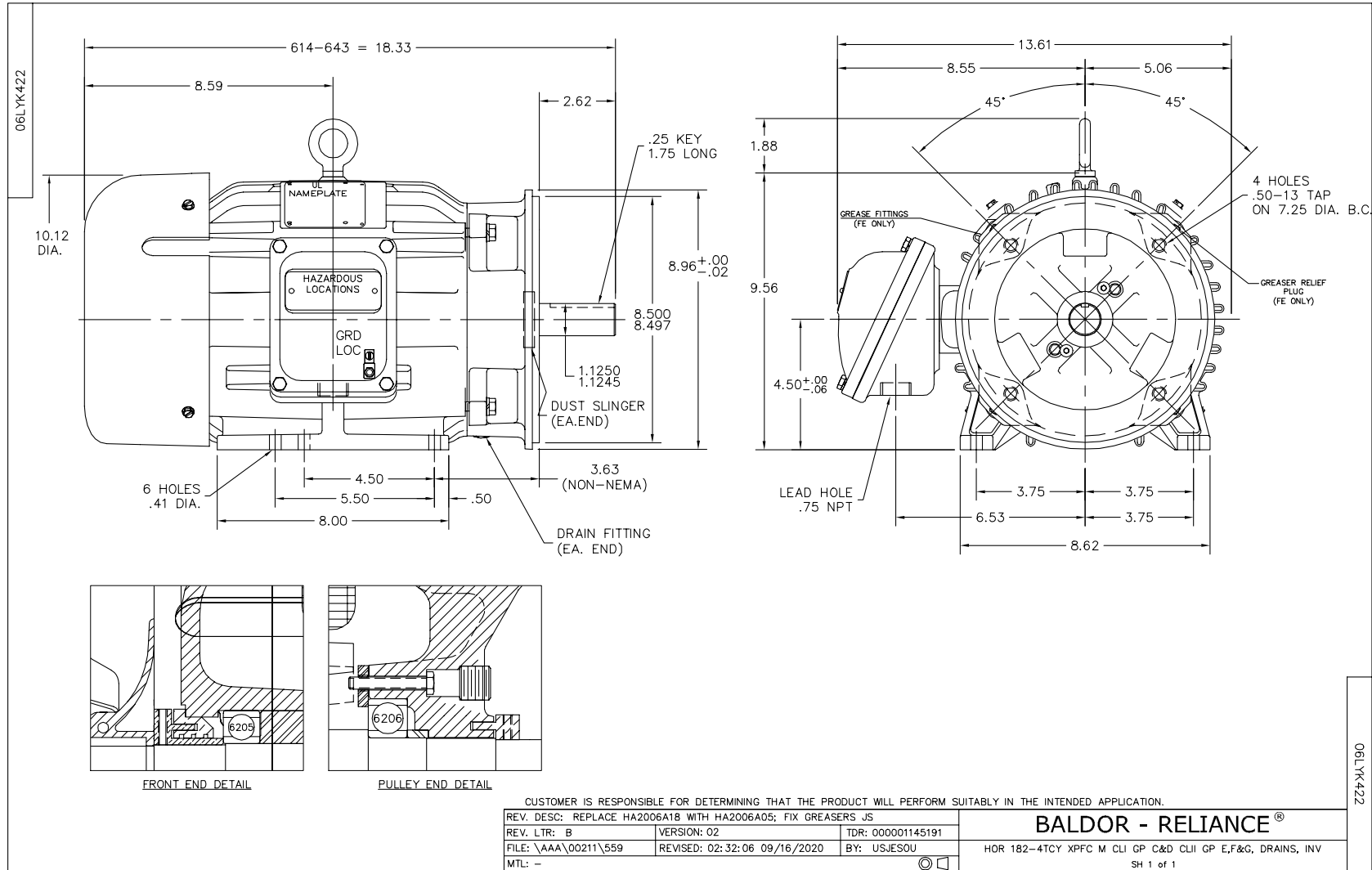
<b>Winding: 06WGX182-R030</b>		<b>Type: 0642M</b>		<b>Enclosure: TEFC</b>	
<b>Nameplate Data</b>			<b>380 V, 50 Hz: High Voltage Connection</b>		
<b>Rated Output (HP)</b>	5//3		<b>Full Load Torque</b>	10.77 LB-FT	
<b>Volts</b>	230/460//190/380		<b>Start Configuration</b>	direct on line	
<b>Full Load Amps</b>	13.2/6//10.4/5.2		<b>Breakdown Torque</b>	50.97 LB-FT	
<b>R.P.M.</b>	1750//1450		<b>Pull-up Torque</b>	22.82 LB-FT	
<b>Hz</b>	60//50	<b>Phase</b>	3	<b>Locked-rotor Torque</b>	32.39 LB-FT
<b>NEMA Design Code</b>	<b>B KVA Code</b>		J	<b>Starting Current</b>	44.96 A
<b>Service Factor (S.F.)</b>			1.15	<b>No-load Current</b>	2.97 A
<b>NEMA Nom. Eff.</b>	89.5	<b>Power Factor</b>	79	<b>Line-line Res. @ 25°C</b>	2.63 Ω
<b>Rating - Duty</b>			55C AMB-CONT	<b>Temp. Rise @ Rated Load</b>	36°C
<b>S.F. Amps</b>				<b>Temp. Rise @ S.F. Load</b>	43°C
				<b>Locked-rotor Power Factor</b>	45
				<b>Rotor inertia</b>	0.391 LB-FT <sup>2</sup>

**Load Characteristics 380 V, 50 Hz, 3 HP**

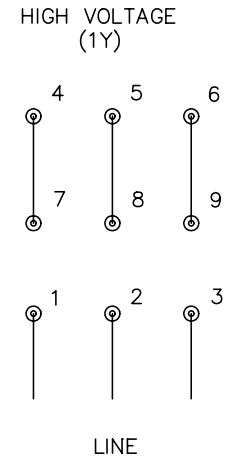
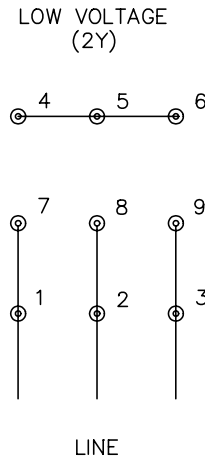
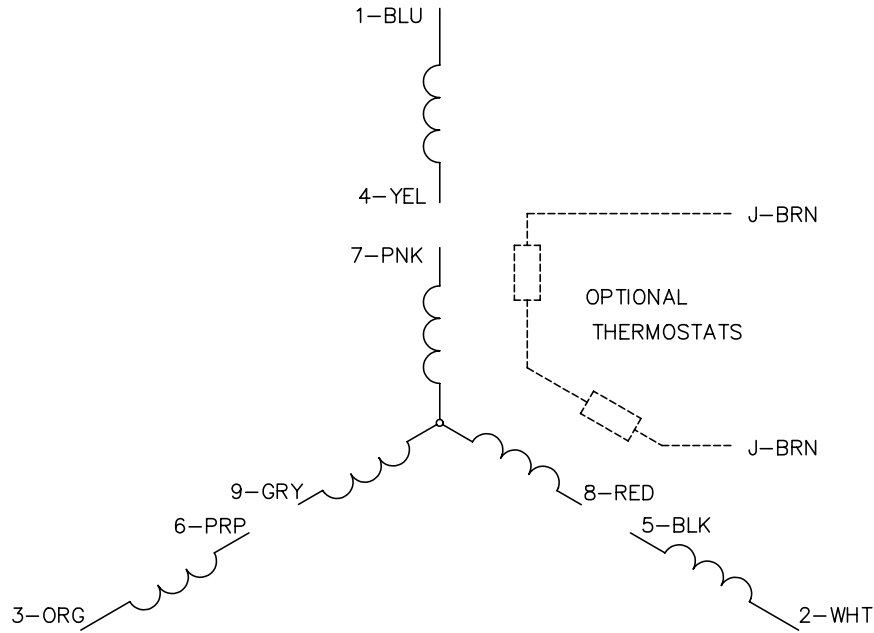
<b>% of Rated Load</b>	<b>25</b>	<b>50</b>	<b>75</b>	<b>100</b>	<b>125</b>	<b>150</b>	<b>S.F.</b>
<b>Power Factor</b>	33	54	67	75	80	83	76
<b>Efficiency</b>	80.7	87.3	89	89	88.2	87.2	88.3
<b>Speed</b>	1492	1483	1474	1464	1454	1443	1454
<b>Line amperes</b>	3.16	3.63	4.29	5.08	6.03	7.05	5.82

Performance Graph at 380V, 50Hz, 3.0HP Typical performance - Not guaranteed values





CD0005



- NOTES:
1. INTERCHANGE ANY TWO LINE LEADS TO REVERSE ROTATION.
  2. OPTIONAL THERMOSTATS ARE PROVIDED WHEN SPECIFIED.
  3. ACTUAL NUMBER OF INTERNAL PARALLEL CIRCUITS MAY BE A MULTIPLE OF THOSE SHOWN ABOVE.
  4. LEAD COLORS ARE OPTIONAL. LEADS MUST ALWAYS BE NUMBERED AS SHOWN.

REV. DESC: REVISE TO SHOW OPTIONAL COLORS			
REV. LTR: E	BY: JLP	REVISED: 01/19/99 10:15	TDR: 0171435
900000		FILE: AAA00005140	MDL: -
		MTL: -	

**BALDOR ELECTRIC Co.**

3PH, DV, 9 LEADS

CD0005

Marketing maintained PDF of MN416:

<http://www.baldor.com/support/Literature/Load.ashx/MN416?ManNumber=MN416>