

BALDOR® • RELIANCE 

Product Information Packet

CCPX21366T

3HP, 1165//970RPM, 3PH, 60HZ, 213TCY, XPFC, F1

Part Detail							
Revision:	C	Status:	PRD/A	Change #:		Proprietary:	No
Type:	AC	Elec. Spec:	07WGX970	CD Diagram:	CD0005	Mfg Plant:	
Mech. Spec:		Layout:	07LY-000-074	Poles:	06	Created Date:	05-08-2019
Base:		Eff. Date:	04-13-2021	Leads:	9#14		

Specs			
Catalog Number:	CCPX21366T	Electrically Isolated Bearing:	Not Electrically Isolated
Enclosure:	XPFC	Enclosure Modification:	Severe Duty Features
Frame:	213TCY	Feedback Device:	NO FEEDBACK
Frame Material:	Iron	Heater Indicator:	No Heater
Output @ Frequency:	2.000 HP @ 50 HZ	Insulation Class:	F
	3.000 HP @ 60 HZ	Inverter Code:	Inverter Duty
Synchronous Speed @ Frequency:	1200 RPM @ 60 HZ	IP Rating:	IP55
Voltage @ Frequency:	230.0 V @ 60 HZ	KVA Code:	K
	380.0 V @ 50 HZ	Lifting Lugs:	Standard Lifting Lugs
	460.0 V @ 60 HZ	Locked Bearing Indicator:	Locked Bearing
	190.0 V @ 50 HZ	Motor Lead Termination:	Flying Leads
XP Class and Group:	CLI GP C,D; CLII GP E,F,G	Motor Type:	0736M
XP Division:	Division I	Mounting Arrangement:	F1
Agency Approvals:	UR	Power Factor:	71
	CSA EEV	Product Family:	General Purpose
	CSA	Pulley Face Code:	C-Face
Auxillary Box:	No Auxillary Box	Rodent Screen:	None
Auxillary Box Lead Termination:	None	RoHS Status:	ROHS NON-COMPLIANT

Base Indicator:	Rigid	Shaft Ground Indicator:	No Shaft Grounding
Bearing Grease Type:	Polyrex EM (-20F +300F)	Shaft Rotation:	Reversible
Blower:	None	Speed Code:	Single Speed
Constant Torque Speed Range:	6	Motor Standards:	NEMA
Current @ Voltage:	9.000 A @ 230.0 V	Starting Method:	Direct on line
	7.600 A @ 190.0 V	Thermal Device - Bearing:	None
	4.500 A @ 460.0 V	Thermal Device - Winding:	Normally Closed Thermostat
	3.800 A @ 380.0 V	Vibration Sensor Indicator:	No Vibration Sensor
Design Code:	B	Winding Thermal 1:	None
Drip Cover:	No Drip Cover	Winding Thermal 2:	None
Duty Rating:	CONT	XP Temp Code:	T3C

Nameplate NP2033XPSLEV											
NO.					CC	010A					
S/N					TEMP CODE	T3C					
SPEC.	07-0000-0110				INV.TYPE	PWM					
CAT.NO.	CCPX21366T				C HP FR	60		C HP TO	90		
HP	3//2				CT HZ FROM	6		CT HZ TO	60		
VOLTS	230/460//190/380				VT HZ FROM	6		VT HZ TO	60		
AMPS	9/4.5//7.6/3.8				MAG CUR	4.6/2.3					
RPM	1165//970				MX RPM	1800					
HZ	60//50		PH	3		CL	F		NOM.EFF.	89.5	
SER.F.	1.00		DES	B		SL HZ	1.7		WK2	0.895	
FRAME	213TCY		RATING	40C AMB-CONT							
BLANK	55C AMB @ 1.0 SF										
	1.15 SF ON SINEWAVE						NEMA MG-1 PT 5,IP55				

Parts List		
Part Number	Description	Quantity
SA369351	SA 07-0000-0110	1.000 EA
RA358910	RA 07-0000-0110	1.000 EA
LB1115N	LABEL,LIFTING DEVICE (ON ROLLS)	1.000 EA
LB1119N	WARNING LABEL	1.000 EA
LC0145B01	CONNECTION LABEL	1.000 EA
NP2033XPSLEV	SS XP INV UL CSA-EEV CC CL-I GP-C&D	1.000 EA
85XU0407S04	4X1/4 U DRIVE PIN STAINLESS	2.000 EA
85XU0407S04	4X1/4 U DRIVE PIN STAINLESS	4.000 EA
MN416A01	TAG-INSTAL-MAINT no wire (2100/bx) 4/22	1.000 EA
LB1081F	ALUM XP CAUTION LABEL (FS PLANT ONLY-	1.000 EA
LB9002A50	CMC-5000 BRADY WIRE MARK	1.000 EA
HW3201A05	3/8-16 EYEBOLT	1.000 EA
07FH1003A05G	FAN HOUSING 307 EXPLOSION PROOF W/ GREAS	1.000 EA
10XN2520A12	1/4-20 X 3/4 HEX HEAD CAP	4.000 EA
37FN3002A01SP	EXFN, PLASTIC, 9.00 OD, 1.155 ID	1.000 EA
51XB1214A20	12-14X1.25 HXWSSLD SERTYB	1.000 EA
MJ1000A02	GREASE, MOBIL POLYREX EM - 124047	0.050 LB
07EP1707A22G	FRONT ENDPLATE EXPLOSION PROOF(GROUP C &	1.000 EA
10XN3816K28	3/8-16 X 1.75 HEX HD CAP SCREW, GRADE 5	4.000 EA
HW1001A38	LOCKWASHER 3/8, ZINC PLT .688 OD, .382 I	4.000 EA
HA2009A25	SLINGER, FOR GROUP E MOTORS - 206 BRG.	1.000 EA
80XN0632A10	SET SCREW,#6-32 X .62 LG.HEX SOC. HD.	2.000 EA
HW5100A06	W2420-025 WVY WSHR (WB)	1.000 EA
HW4500A01	1641B(ALEMITE)400 UNIV, GREASE FITT	1.000 EA

Parts List (continued)		
Part Number	Description	Quantity
HW4500A19	1/4-28X1/4 SLOTTED PLUG F/S	1.000 EA
HW4506A02	BREATHER/DRAIN-EXP PROOF-.125-27 NPTF AI	1.000 EA
HW3022E05	.125 DIA X .500 ROLLED SPRING PIN	1.000 EA
07EP1708A10G	FACE MTD ENDPLATE XPFC-GROUP E	1.000 EA
HW1001A38	LOCKWASHER 3/8, ZINC PLT .688 OD, .382 I	4.000 EA
10XN3816K28	3/8-16 X 1.75 HEX HD CAP SCREW, GRADE 5	4.000 EA
HA2009A56	SLINGER, FOR GROUP E MOTORS - 307 BRG.	1.000 EA
80XN0632A10	SET SCREW,#6-32 X .62 LG.HEX SOC. HD.	1.000 EA
10XN2520A32	1/4 X 2 HEX HEAD CAP SCR,GRADE 2	4.000 EA
HW1001A25	LOCKWASHER 1/4, ZINC PLT .493 OD, .255 I	4.000 EA
HW4500A01	1641B(ALEMITE)400 UNIV, GREASE FITT	1.000 EA
HW4500A19	1/4-28X1/4 SLOTTED PLUG F/S	1.000 EA
HW4506A02	BREATHER/DRAIN-EXP PROOF-.125-27 NPTF AI	1.000 EA
HW3022E05	.125 DIA X .500 ROLLED SPRING PIN	1.000 EA
07CB1000A01G	CONDUIT BOX MACH, W/EPOXY GRAY	1.000 EA
10XN3118A16	5/16-18X1 HEX HD CAP	4.000 EA
WD1000B17	T&B CX35TN OR L35P TERMINAL LUG	1.000 EA
11XW1032G06	10-32 X .38, TAPTITE II, HEX WSHR SLTD U	1.000 EA
07CB1502A01G	CONDUIT BOX LID MACH (DUCTILE IRON) GRAY	1.000 EA
84XN2520J16	1/4-20 X 1 SOC HD CAP SCREW	4.000 EA
MG1500Y02	WILKOPON PRIMER YELLOW	0.022 GA
MG1025G29	WILKOFASST, 789.229, DARK CHARCOAL GRAY	0.022 GA
07PA1011	PKG GRP, 07 CAST IRON PK1181	1.000 EA
10XL3808A28	3/8 X 1 3/4" LAG SCREW	2.000 EA

Product Information Packet: CCPX21366T - 3HP,1165//970RPM,3PH,60HZ,213TCY,XPFC,F1

HW2501F21	KEY, 5/16 SQ X 2.375	1.000 EA
HA7000A02	KEY RETAINER RING, 1 1/8 DIA, 1 3/8 DIA	1.000 EA
MJ5001A27	32220KN GRAY SEALER *MIN BUY 4 QTS=1GAL	0.001 QT

AC Induction Motor Performance Data

Record # 75626

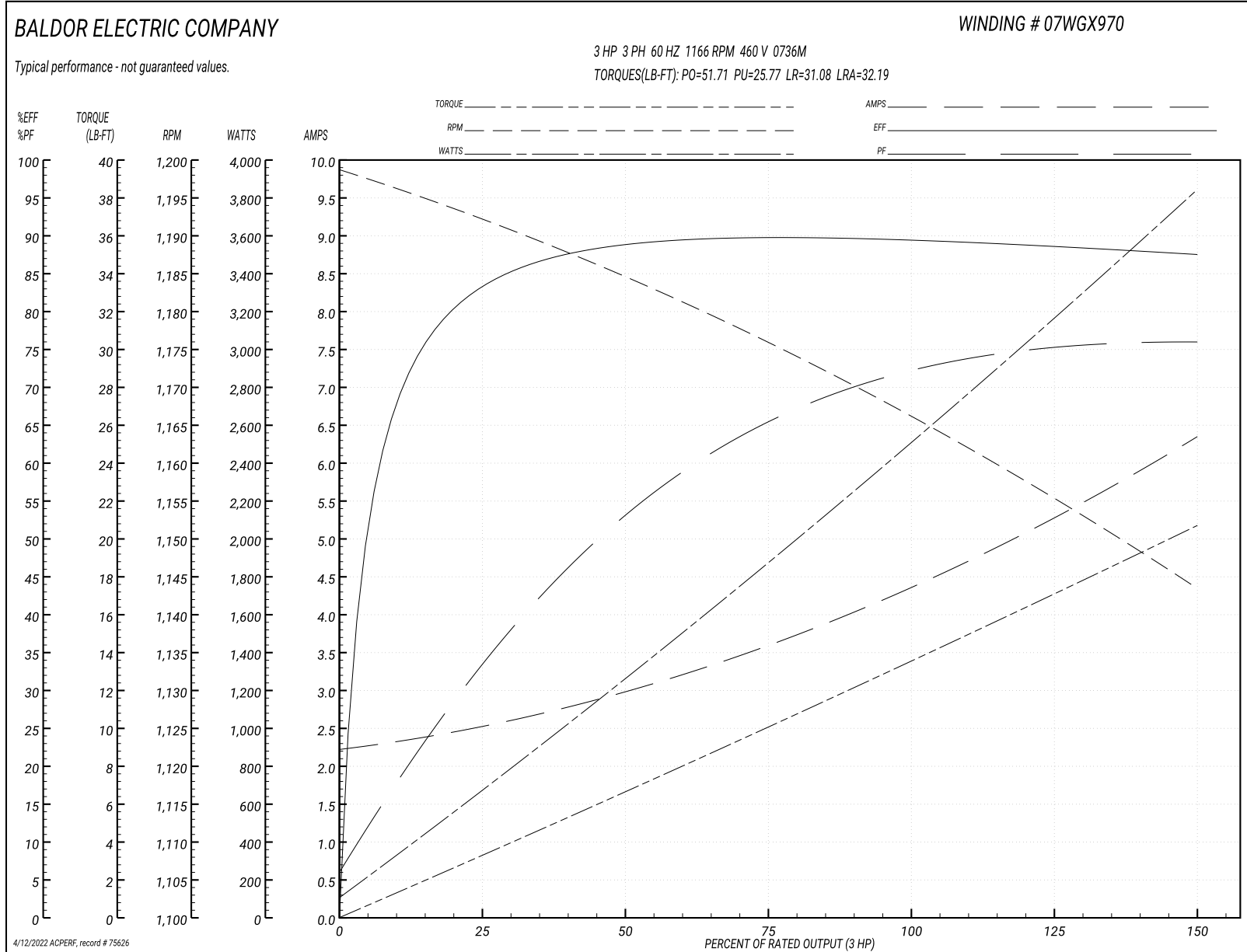
Typical performance - not guaranteed values

Winding: 07WGX970-R008		Type: 0736M		Enclosure: XPFC	
Nameplate Data			460 V, 60 Hz: High Voltage Connection		
Rated Output (HP)		3	Full Load Torque		13.61 LB-FT
Volts		230/460//190/380	Start Configuration		direct on line
Full Load Amps		9/4.5//7.6/3.8	Breakdown Torque		51.71 LB-FT
R.P.M.		1165//970	Pull-up Torque		25.77 LB-FT
Hz	60//50	Phase	3	Locked-rotor Torque	31.08 LB-FT
NEMA Design Code		B KVA Code	K	Starting Current	32.19 A
Service Factor (S.F.)			1	No-load Current	2.26 A
NEMA Nom. Eff.	89.5	Power Factor	71	Line-line Res. @ 25°C	3 Ω
Rating - Duty			40C AMB-CONT	Temp. Rise @ Rated Load	34°C
S.F. Amps				Temp. Rise @ S.F. Load	41°C
				Locked-rotor Power Factor	23.3
				Rotor inertia	0.895 LB-FT ²

Load Characteristics 460 V, 60 Hz, 3 HP

% of Rated Load	25	50	75	100	125	150
Power Factor	35	54	65	72	75	76
Efficiency	82.8	88.3	89.6	89.6	88.9	87.3
Speed	1192	1184	1176	1166	1156	1143
Line amperes	2.48	2.96	3.62	4.41	5.29	6.33

Performance Graph at 460V, 60Hz, 3.0HP Typical performance - Not guaranteed values



AC Induction Motor Performance Data

Record # 75628

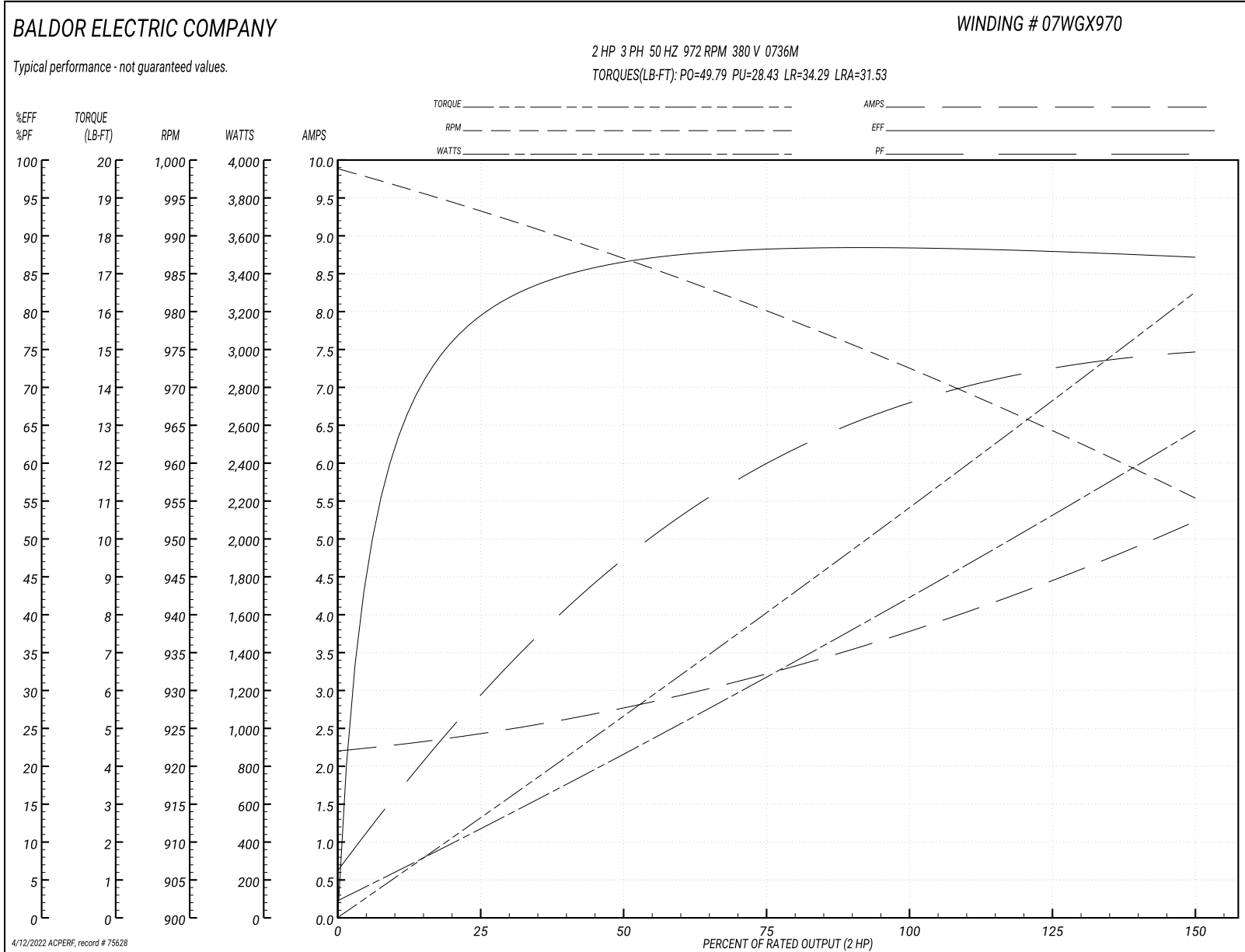
Typical performance - not guaranteed values

Winding: 07WGX970-R008		Type: 0736M		Enclosure: XPFC	
Nameplate Data			380 V, 50 Hz: High Voltage Connection		
Rated Output (HP)	3//2		Full Load Torque	10.88 LB-FT	
Volts	230/460//190/380		Start Configuration	direct on line	
Full Load Amps	9/4.5//7.6/3.8		Breakdown Torque	49.79 LB-FT	
R.P.M.	1165//970		Pull-up Torque	28.43 LB-FT	
Hz	60//50	Phase	3	Locked-rotor Torque	34.29 LB-FT
NEMA Design Code	B	KVA Code	K	Starting Current	31.53 A
Service Factor (S.F.)	1		No-load Current	2.23 A	
NEMA Nom. Eff.	89.5	Power Factor	71	Line-line Res. @ 25°C	3 Ω
Rating - Duty	40C AMB-CONT		Temp. Rise @ Rated Load	27°C	
S.F. Amps			Temp. Rise @ S.F. Load	32°C	
			Locked-rotor Power Factor	26.9	
			Rotor inertia	0.895 LB-FT ²	

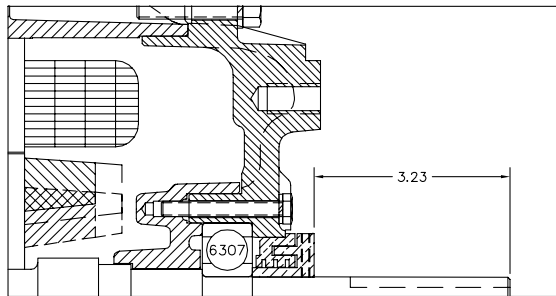
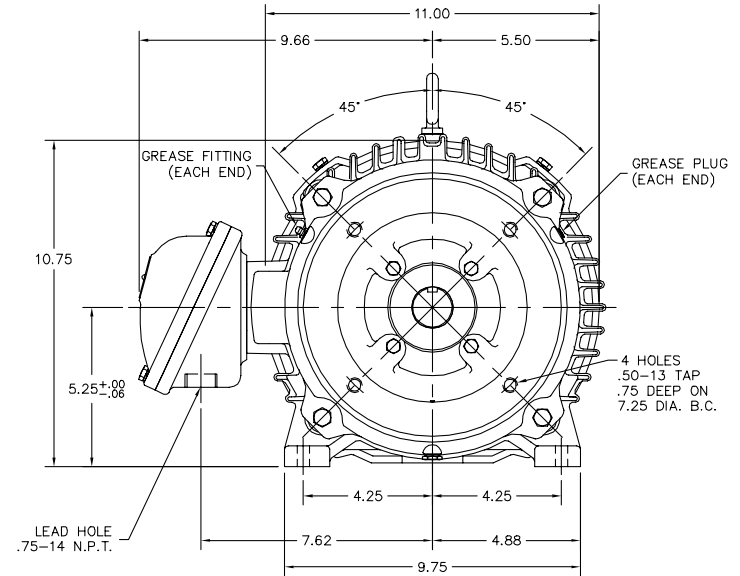
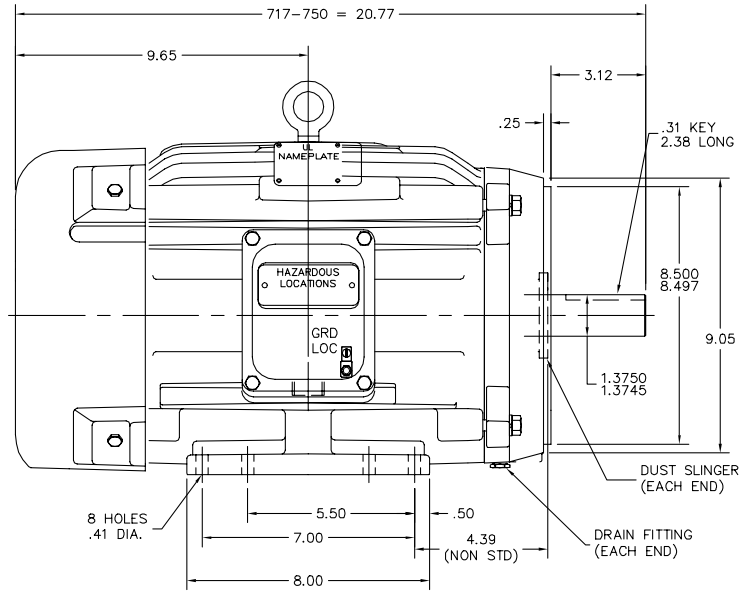
Load Characteristics 380 V, 50 Hz, 2 HP

% of Rated Load	25	50	75	100	125	150
Power Factor	30	48	60	67	72	75
Efficiency	79	86.1	88.2	88.5	88.3	86.9
Speed	993	987	980	972	965	955
Line amperes	2.4	2.75	3.24	3.82	4.46	5.22

Performance Graph at 380V, 50Hz, 2.0HP Typical performance - Not guaranteed values



07LY-000-074



PULLEY END DETAIL

CUSTOMER IS RESPONSIBLE FOR DETERMINING THAT BALDOR'S PRODUCT WILL PERFORM SUITABLY IN THE INTENDED APPLICATION.

REV. DESC: NEW	VERSION: 00	TDR: 000001105221
REV. LTR: -	REVISED: 11:17:54 05/08/2019	BY: ENMICW1
FILE: \AAA\00246\437		
MTL: -		

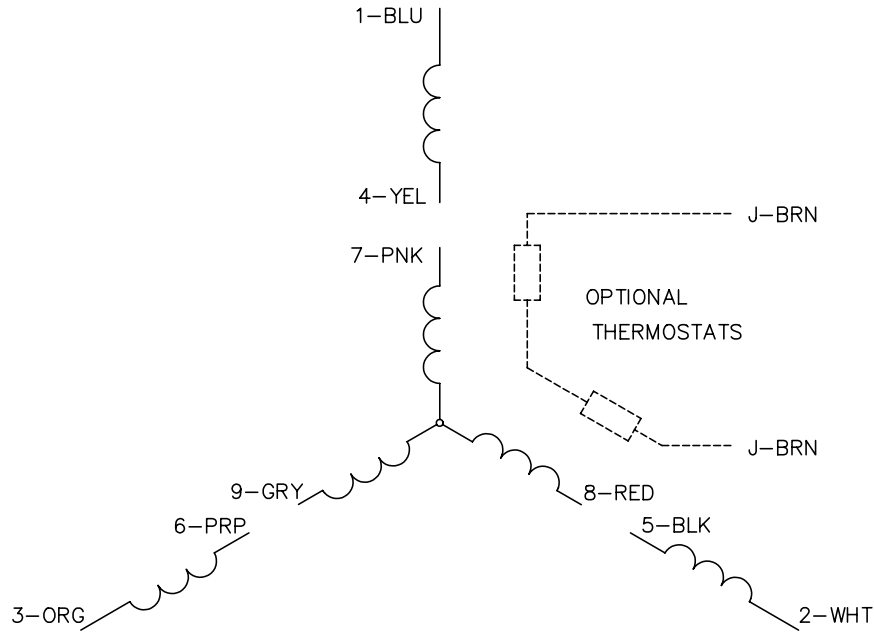
BALDOR - RELIANCE®

HOR 213-5TCY XPFC CLI GP C&D, CLII GP E,F&G W/CP FEAT,GRSRS

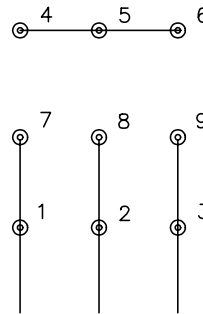
SH 1 of 1

07LY-000-074

CD0005

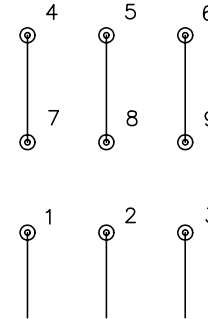


LOW VOLTAGE
(2Y)



LINE

HIGH VOLTAGE
(1Y)



LINE

NOTES:

1. INTERCHANGE ANY TWO LINE LEADS TO REVERSE ROTATION.
2. OPTIONAL THERMOSTATS ARE PROVIDED WHEN SPECIFIED.
3. ACTUAL NUMBER OF INTERNAL PARALLEL CIRCUITS MAY BE A MULTIPLE OF THOSE SHOWN ABOVE.
4. LEAD COLORS ARE OPTIONAL. LEADS MUST ALWAYS BE NUMBERED AS SHOWN.

REV. DESC: REVISE TO SHOW OPTIONAL COLORS			
REV. LTR: E	BY: JLP	REVISED: 01/19/99 10:15	TDR: 0171435
90000		FILE: AAA00005140	MDL: -
		MTL: -	

BALDOR ELECTRIC Co.

3PH, DV, 9 LEADS

CD0005

Marketing maintained PDF of MN416:

<http://www.baldor.com/support/Literature/Load.ashx/MN416?ManNumber=MN416>