

BALDOR® • RELIANCE 

Product Information Packet

CCPX28326T

30HP,3520//2920RPM,3PH,60HZ,286TSCY,XPFC

Part Detail							
Revision:	E	Status:	PRD/A	Change #:		Proprietary:	No
Type:	AC	Elec. Spec:	10WGZ035	CD Diagram:	CD0180	Mfg Plant:	
Mech. Spec:		Layout:	10LY-000-521	Poles:	02	Created Date:	04-29-2019
Base:		Eff. Date:	06-29-2021	Leads:	9#10		

Specs			
Catalog Number:	CCPX28326T	Duty Rating:	CONT
Enclosure:	XPFC	Electrically Isolated Bearing:	Not Electrically Isolated
Frame:	286TSCY	Enclosure Modification:	Severe Duty Features
Frame Material:	Iron	Feedback Device:	NO FEEDBACK
Output @ Frequency:	30.000 HP @ 60 HZ	Heater Indicator:	No Heater
	25.000 HP @ 50 HZ	Insulation Class:	B
Synchronous Speed @ Frequency:	3600 RPM @ 60 HZ	Inverter Code:	Inverter Duty
Voltage @ Frequency:	190.0 V @ 50 HZ	IP Rating:	IP55
	230.0 V @ 60 HZ	KVA Code:	G
	380.0 V @ 50 HZ	Lifting Lugs:	Standard Lifting Lugs
	460.0 V @ 60 HZ	Locked Bearing Indicator:	Locked Bearing
XP Class and Group:	CLI GP C,D; CLII GP E,F,G	Motor Lead Termination:	Flying Leads
XP Division:	Division I	Motor Type:	1046M
Agency Approvals:	UR	Mounting Arrangement:	F1
	CSA EEV	Power Factor:	90
	CSA	Product Family:	Chemical Process Features
Auxillary Box:	No Auxillary Box	Pulley Face Code:	C-Face
Auxillary Box Lead Termination:	None	Rodent Screen:	None

Base Indicator:	Rigid	RoHS Status:	ROHS NON-COMPLIANT
Bearing Grease Type:	Polyrex EM (-20F +300F)	Shaft Ground Indicator:	No Shaft Grounding
Blower:	None	Shaft Rotation:	Reversible
Constant Torque Speed Range:	6	Speed Code:	Single Speed
Current @ Voltage:	72.000 A @ 208.0 V	Motor Standards:	NEMA
	68.000 A @ 190.0 V	Starting Method:	Direct on line
	66.000 A @ 230.0 V	Thermal Device - Bearing:	None
	34.000 A @ 380.0 V	Thermal Device - Winding:	Normally Closed Thermostat
	33.000 A @ 460.0 V	Vibration Sensor Indicator:	No Vibration Sensor
Design Code:	B	Winding Thermal 1:	None
Drip Cover:	No Drip Cover	Winding Thermal 2:	None
		XP Temp Code:	T3C

Nameplate NP2033XPSLEV										
NO.						CC	010A			
S/N						TEMP CODE	T3C			
SPEC.	10-0000-0736					INV.TYPE	PWM			
CAT.NO.	CCPX28326T					C HP FR	60	C HP TO	90	
HP	30//25					CT HZ FROM	6	CT HZ TO	60	
VOLTS	230/460//190/380					VT HZ FROM	6	VT HZ TO	60	
AMPS	66/33//68/34					MAG CUR	18/9			
RPM	3520//2920					MX RPM	5400			
HZ	60//50	PH	3	CL	F	NOM.EFF.	91.7			
SER.F.	1.00	DES	B	SL HZ	1.3	WK2	1.98			
FRAME	286TSCY					RATING	40C AMB-CONT			
BLANK	55C AMB @ 1.0 SF, 60C RISE									
	1.15SF ON SINEWAVE					NEMA MG-1 PT.5,IP55				

Parts List		
Part Number	Description	Quantity
SA369124	SA 10-0000-0736	1.000 EA
RA358672	RA 10-0000-0736	1.000 EA
LB1115N	LABEL,LIFTING DEVICE (ON ROLLS)	1.000 EA
LB1119N	WARNING LABEL	1.000 EA
LC0181	CONNECTION LABEL	1.000 EA
LB1417	LABEL CARTON 6X4 PERFORATED BLANK ROLLS	1.000 EA
NP2033XPSLEV	SS XP INV UL CSA-EEV CC CL-I GP-C&D	1.000 EA
85XU0407S04	4X1/4 U DRIVE PIN STAINLESS	2.000 EA
85XU0407S04	4X1/4 U DRIVE PIN STAINLESS	4.000 EA
MN416A01	TAG-INSTAL-MAINT no wire (2100/bx) 4/22	1.000 EA
LB1081C	ALUM XP CAUTION LABEL (COL PLANT ONLY-	1.000 EA
10FH1008A05P	310 FAN HOUSING X-PROOF MACH. W/EPOXY PR	1.000 EA
HW1001A31	LOCKWASHER 5/16, ZINC PLT.591 OD, .319 I	3.000 EA
10XN3118K12	5/16-18 X .75 GRADE 5, ZINC PLATED	3.000 EA
09FN3001B02	EXTERNAL FAN, PLASTIC (COMES W/SCREW FRO	1.000 EA
HW2500A25	WOODRUFF KEY USA #1008 #BLOW CARBON STEE	1.000 EA
MJ1000A02	GREASE, MOBIL POLYREX EM - 124047	0.130 LB
10EP1701A64PP15	FR ENDPLATE, MACH W/PRIMER & MG1025G29	1.000 EA
HA3050A03	3/8-16 X 2.25" GRADE 8 BOLT	4.000 EA
HW1001A38	LOCKWASHER 3/8, ZINC PLT .688 OD, .382 I	4.000 EA
HA2009A53	SLINGER FOR GROUP E MTRS - 309 BRG.	1.000 EA
80XN0632A10	SET SCREW,#6-32 X .62 LG.HEX SOC. HD.	2.000 EA
HW5100A11	W3917-042 WVY WSHR (WB)	1.000 EA
HA4017A06	/125 X 3.00 GREASER EXT. (F/S)	1.000 EA

Parts List (continued)		
Part Number	Description	Quantity
HA4017A03	.125 X 1.75 GREASE EXT (F/S)	1.000 EA
HW4019A01	PIPE COUPLING 1/8 NPT,STEEL,ZINC COATING	1.000 EA
HA4051A00	PLASTIC CAP FOR GREASE FITTING	1.000 EA
HW4500A21	1618BALEMITE FITTING 825 UNIVERSAL	1.000 EA
HW4500A20	1/8NPT SL PIPE PLUG	1.000 EA
HW4505A02	BREATHER/DRAIN-EXP PROOF-.250-18 PTF AIS	1.000 EA
HW3023E06	.125 X .625 SPIRAL SPRING PIN	1.000 EA
10EP1710A42P	FACE MTD PUEP, XPFC, W/EPOXY PRIMER	1.000 EA
HW1001A38	LOCKWASHER 3/8, ZINC PLT .688 OD, .382 I	4.000 EA
HA3050A03	3/8-16 X 2.25" GRADE 8 BOLT	4.000 EA
HA2009A33	SLINGER, FOR GROUP E MOTORS - 311 BRG.	1.000 EA
80XN0632A10	SET SCREW,#6-32 X .62 LG.HEX SOC. HD.	2.000 EA
10XN2520K40	1/4-20 X 2-1/2 HEX HD CAPSCREW,GRADE 5,Z	4.000 EA
HA4051A00	PLASTIC CAP FOR GREASE FITTING	1.000 EA
HW4500A03	GREASE FITTING, .125 NPT 1610(ALEMITE) 8	1.000 EA
HW4500A20	1/8NPT SL PIPE PLUG	1.000 EA
HW4505A02	BREATHER/DRAIN-EXP PROOF-.250-18 PTF AIS	1.000 EA
HW3023E06	.125 X .625 SPIRAL SPRING PIN	1.000 EA
12CB1003A02P	KOBX, MACH 1.50 NPT GROUP C MTRS ,EPOXY	1.000 EA
10XN3118K24	5/16-18 X 1.50" HEX HD, GRADE 5	4.000 EA
HW1001A31	LOCKWASHER 5/16, ZINC PLT.591 OD, .319 I	4.000 EA
WD1000B19	TERMINAL BURNDY L250HP	1.000 EA
10XN3816K12	3/8-16 X 3/4 HEX HD CAP GRADE 5	1.000 EA
HW1001A38	LOCKWASHER 3/8, ZINC PLT .688 OD, .382 I	1.000 EA

Product Information Packet: CCPX28326T - 30HP,3520//2920RPM,3PH,60HZ,286TSCY,XPFC

12CB1502A01P	CONDUIT BOX LID MACH. GROUP C MTRS	1.000 EA
84XN5013J32	SOCKET HD.CAP SCR,1/2-13 X 2"LG,ALLOY ST	10.000 EA
HW1001A50	LOCKWASHER 1/2, ZINC PLT, .879 OD, .509 I	10.000 EA
MG1025G29	WILKOFEST, 789.229, DARK CHARCOAL GRAY	0.125 GA
14PA1000	PACKAGING 314 GROUP COMBINED PRINT	1.000 EA
HW2501G18	SQUARE STEEL KEY .375 X 2.00 LONG	1.000 EA
MJ5001A27	32220KN GRAY SEALER *MIN BUY 4 QTS=1GAL	0.001 QT

AC Induction Motor Performance Data

Record # 75696

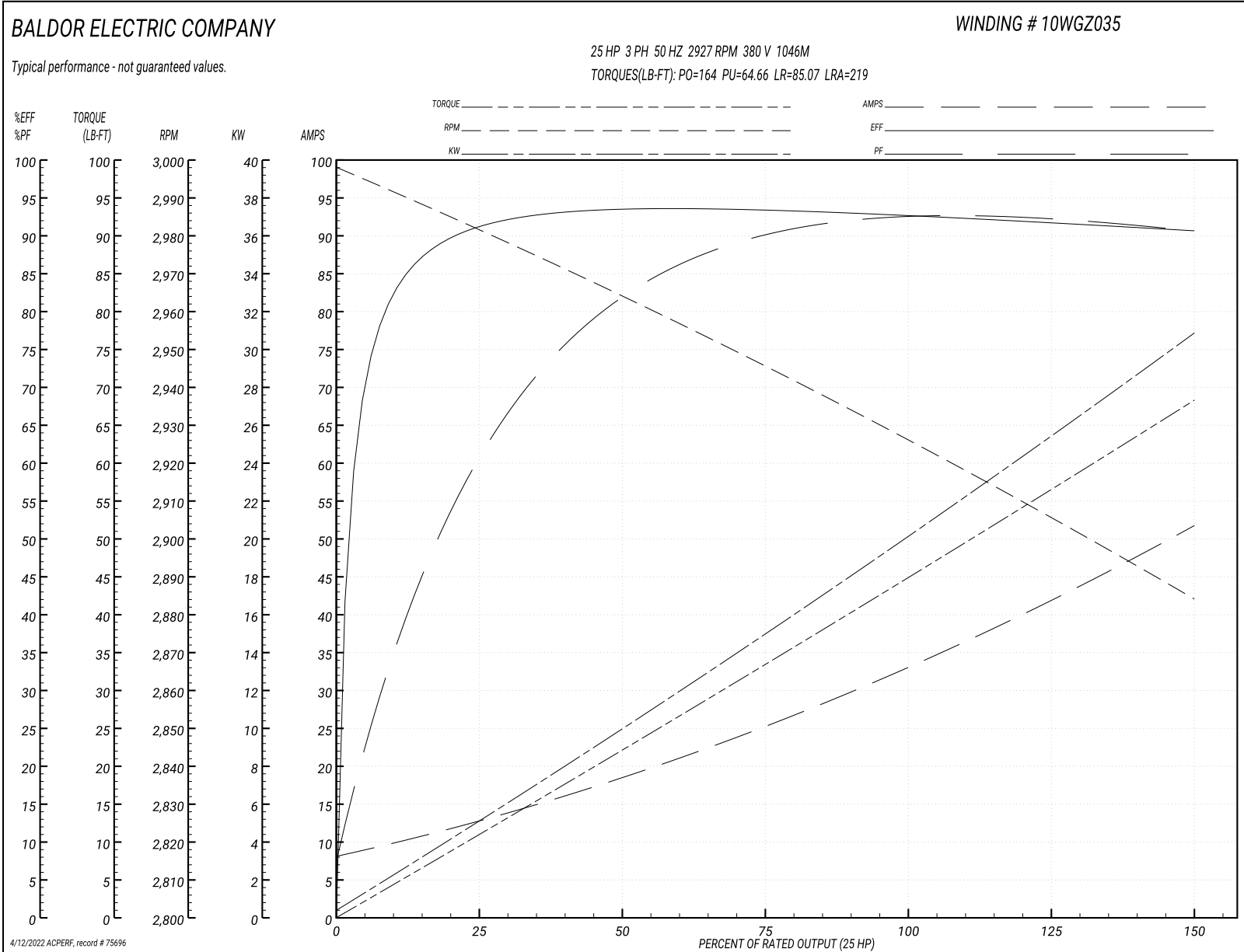
Typical performance - not guaranteed values

Winding: 10WGZ035-R005		Type: 1046M		Enclosure: XPFC	
Nameplate Data			380 V, 50 Hz: High Voltage Connection		
Rated Output (HP)	30//25		Full Load Torque	44.55 LB-FT	
Volts	230/460//190/380		Start Configuration	direct on line	
Full Load Amps	66/33//68/34		Breakdown Torque	164 LB-FT	
R.P.M.	3520//2920		Pull-up Torque	64.66 LB-FT	
Hz	60//50	Phase	3	Locked-rotor Torque	85.07 LB-FT
NEMA Design Code	B	KVA Code	G	Starting Current	219 A
Service Factor (S.F.)	1		No-load Current	8.71 A	
NEMA Nom. Eff.	91.7	Power Factor	90	Line-line Res. @ 25°C	0.239 Ω
Rating - Duty	40C AMB-CONT		Temp. Rise @ Rated Load	59°C	
			Locked-rotor Power Factor	26.5	
			Rotor inertia	1.97 LB-FT ²	

Load Characteristics 380 V, 50 Hz, 25 HP

% of Rated Load	25	50	75	100	125	150
Power Factor	64	83	89	91	92	91
Efficiency	90.9	93.3	93.5	92.5	91.9	90.6
Speed	2981	2963	2946	2927	2907	2883
Line amperes	11.87	18.29	25.38	33.31	42.09	51.47

Performance Graph at 380V, 50Hz, 25.0HP Typical performance - Not guaranteed values



AC Induction Motor Performance Data

Record # 75697

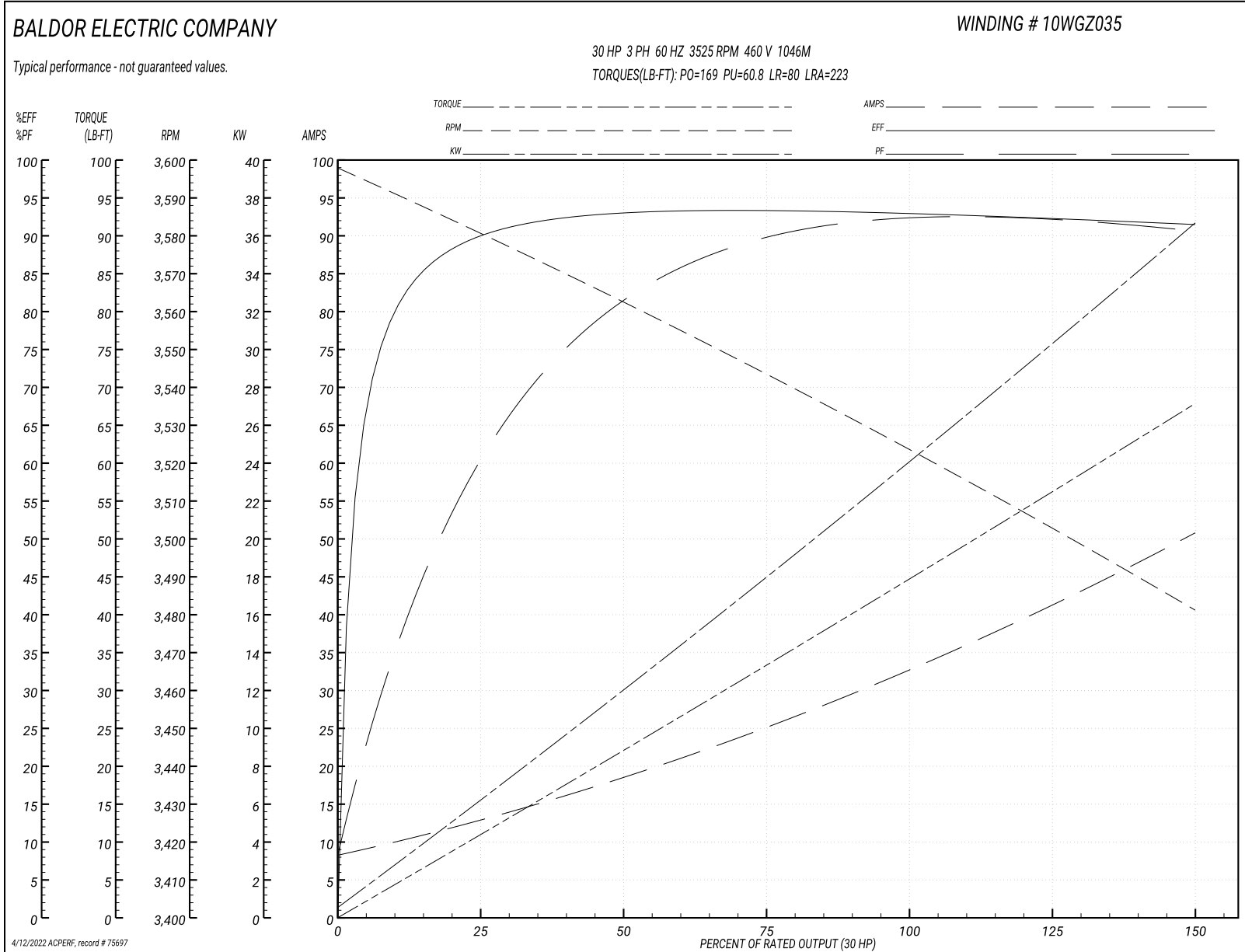
Typical performance - not guaranteed values

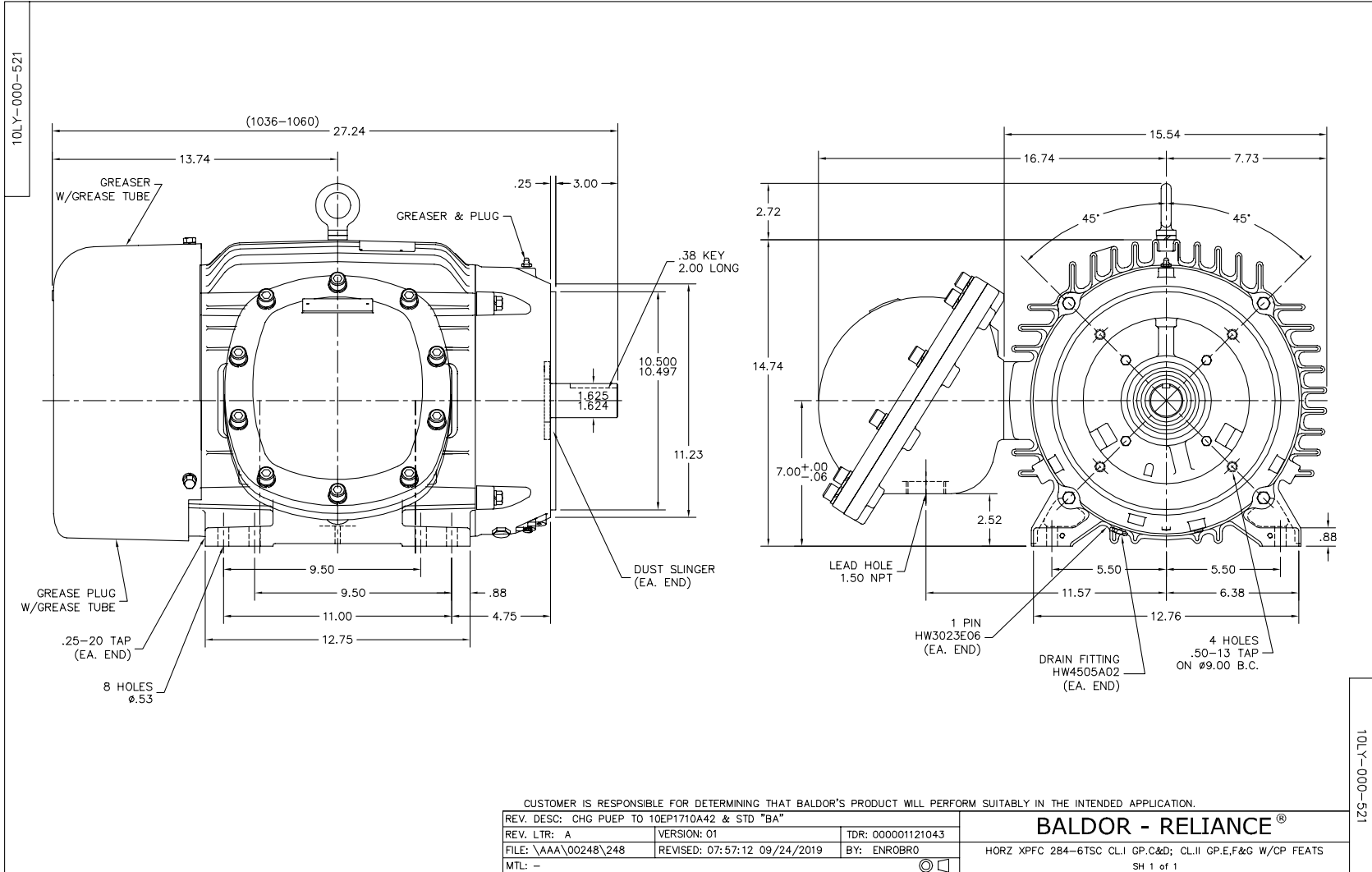
Winding: 10WGZ035-R005		Type: 1046M		Enclosure: XPFC	
Nameplate Data			460 V, 60 Hz: High Voltage Connection		
Rated Output (HP)	30//25		Full Load Torque	44.4 LB-FT	
Volts	230/460//190/380		Start Configuration	direct on line	
Full Load Amps	66/33//68/34		Breakdown Torque	169 LB-FT	
R.P.M.	3520//2920		Pull-up Torque	60.8 LB-FT	
Hz	60//50	Phase	3	Locked-rotor Torque	80 LB-FT
NEMA Design Code	B KVA Code		G	Starting Current	223 A
Service Factor (S.F.)			1	No-load Current	8.85 A
NEMA Nom. Eff.	91.7	Power Factor	90	Line-line Res. @ 25°C	0.239 Ω
Rating - Duty	40C AMB-CONT			Temp. Rise @ Rated Load	58°C
				Locked-rotor Power Factor	23.5
				Rotor inertia	1.97 LB-FT ²

Load Characteristics 460 V, 60 Hz, 30 HP

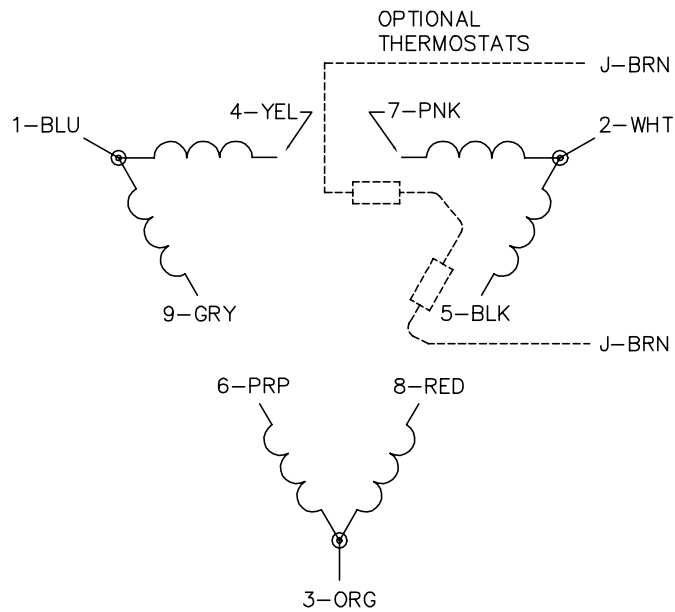
% of Rated Load	25	50	75	100	125	150
Power Factor	64	83	89	91	92	91
Efficiency	89.6	92.9	93.5	92.7	92.4	91.4
Speed	3580	3561	3544	3525	3504	3480
Line amperes	12	18.3	25.2	33	41.5	50.5

Performance Graph at 460V, 60Hz, 30.0HP Typical performance - Not guaranteed values

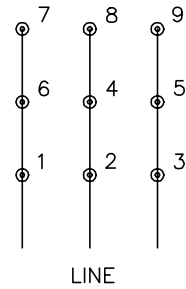




CD0180



LOW VOLTAGE
(2D)



HIGH VOLTAGE
(1D)



NOTES:

1. INTERCHANGE ANY TWO LINE LEADS TO REVERSE ROTATION.
2. OPTIONAL THERMOSTATS ARE PROVIDED WHEN SPECIFIED.
3. ACTUAL NUMBER OF INTERNAL PARALLEL CIRCUITS MAY BE A MULTIPLE OF THOSE SHOWN ABOVE.
4. LEAD COLORS ARE OPTIONAL. LEADS MUST ALWAYS BE NUMBERED AS SHOWN.

CD0180

REV. DESC: ADD CLASS CONN00000007		
REV. LTR: D	VERSION: 01	TDR: 000001099922
FILE: \AAA\00005\148	REVISED: 10:25:29 02/19/2019	BY: ENBRIRO
MTL: -	© □	

BALDOR - RELIANCE®

3PH, DV, 9 LEADS, DELTA CONNECTION

SH 1 of 1

Marketing maintained PDF of MN416:

<http://www.baldor.com/support/Literature/Load.ashx/MN416?ManNumber=MN416>