

**BALDOR® • RELIANCE** 

**Product Information Packet**

**CCPX322566T**

**60M 6P XPFC HOR 324TCY TSTAT CP FEAT INV**

Part Detail							
Revision:	D	Status:	PRD/A	Change #:		Proprietary:	No
Type:	AC	Elec. Spec:	12WGY116	CD Diagram:	CD0180	Mfg Plant:	
Mech. Spec:	12J224	Layout:	12LYJ224	Poles:	06	Created Date:	04-18-2019
Base:	RG	Eff. Date:	11-08-2021	Leads:	9#8		

Specs			
Catalog Number:	CCPX322566T	Feedback Device:	NO FEEDBACK
Enclosure:	XPFC	Front Shaft Indicator:	None
Frame:	324TCY	Heater Indicator:	No Heater
Frame Material:	Iron	Insulation Class:	F
Output @ Frequency:	20.000 HP @ 50 HZ	Inverter Code:	Inverter Duty
	25.000 HP @ 60 HZ	IP Rating:	IP55
Synchronous Speed @ Frequency:	1200 RPM @ 60 HZ	KVA Code:	H
Voltage @ Frequency:	380.0 V @ 50 HZ	Lifting Lugs:	Standard Lifting Lugs
	230.0 V @ 60 HZ	Locked Bearing Indicator:	Locked Bearing
	460.0 V @ 60 HZ	Motor Lead Quantity/Wire Size:	9 @ 8 AWG
	190.0 V @ 50 HZ	Motor Lead Termination:	Flying Leads
XP Class and Group:	CLI GP C,D; CLII GP E,F,G	Motor Type:	X1260M
XP Division:	Division I	Mounting Arrangement:	F1
Agency Approvals:	UR	Power Factor:	79
	CSA EEV	Product Family:	Hazardous Location Motor
	CSA	Pulley End Bearing Type:	Ball
Auxillary Box:	No Auxillary Box	Pulley Face Code:	C-Face
Auxillary Box Lead Termination:	None	Pulley Shaft Indicator:	Standard

<b>Base Indicator:</b>	Rigid	<b>Rodent Screen:</b>	None
<b>Bearing Grease Type:</b>	Polyrex EM (-20F +300F)	<b>RoHS Status:</b>	ROHS NON-COMPLIANT
<b>Blower:</b>	None	<b>Shaft Ground Indicator:</b>	No Shaft Grounding
<b>Constant Torque Speed Range:</b>	6	<b>Shaft Rotation:</b>	Reversible
<b>Current @ Voltage:</b>	69.000 A @ 208.0 V	<b>Shaft Slinger Indicator:</b>	Shaft Slinger
	63.000 A @ 230.0 V	<b>Speed Code:</b>	Single Speed
	62.000 A @ 190.0 V	<b>Motor Standards:</b>	NEMA
	32.000 A @ 460.0 V	<b>Starting Method:</b>	Direct on line
	31.000 A @ 380.0 V	<b>Thermal Device - Bearing:</b>	None
<b>Design Code:</b>	A	<b>Thermal Device - Winding:</b>	Normally Closed Thermostat
<b>Drip Cover:</b>	No Drip Cover	<b>Vibration Sensor Indicator:</b>	No Vibration Sensor
<b>Duty Rating:</b>	CONT	<b>Winding Thermal 1:</b>	None
<b>Electrically Isolated Bearing:</b>	Not Electrically Isolated	<b>Winding Thermal 2:</b>	None
<b>Enclosure Modification:</b>	Severe Duty Features	<b>XP Temp Code:</b>	T3C

Nameplate NP2033XPSLEV										
NO.						CC	010A			
S/N						TEMP CODE	T3C			
SPEC.	12J224Y116G1					INV.TYPE	PWM			
CAT.NO.	CCPX322566T					C HP FR	60	C HP TO	90	
HP	25//20					CT HZ FROM	6	CT HZ TO	60	
VOLTS	230/460//190/380					VT HZ FROM	6	VT HZ TO	60	
AMPS	63/32//62/31					MAG CUR	28/14			
RPM	1180//985					MX RPM	1800			
HZ	60//50	PH	3	CL	F	NOM.EFF.	93			
SER.F.	1.00	DES	A	SL HZ	1	WK2	11.5			
FRAME	324TCY					RATING	40C AMB-CONT			
BLANK	55C AMB @ 1.0 SF, 60C RISE									
	1.15SF ON SINEWAVE					NEMA MG-1 PT.5,IP55				

Parts List		
Part Number	Description	Quantity
SA368640	SA 12J224Y116G1	1.000 EA
RA358162	RA 12J224Y116G1	1.000 EA
09FN3001B03SP	EXTERNAL FAN, PLASTIC (COMES W/SCREW FRO	1.000 EA
12CB1003A01P	KOBX,MACH 2.00 NPT GROUP C MTRS,EPOXY PR	1.000 EA
10XN3118K24	5/16-18 X 1.50" HEX HD, GRADE 5	4.000 EA
HW1001A31	LOCKWASHER 5/16, ZINC PLT.591 OD, .319 I	4.000 EA
WD1000B19	TERMINAL BURNDY L250HP	1.000 EA
10XN3816K12	3/8-16 X 3/4 HEX HD CAP GRADE 5	1.000 EA
HW1001A38	LOCKWASHER 3/8, ZINC PLT .688 OD, .382 I	1.000 EA
HA3051A03	1/2-13X2.75 BLT GR8 1.75 TO E NC F/S	4.000 EA
HW1001A50	LOCKWASHER 1/2, ZINC PLT.,.879 OD, .509 I	4.000 EA
HA2009A50	SLINGER FOR GROUP E MTRS - 311 BRG.	1.000 EA
80XN0632A10	SET SCREW,#6-32 X .62 LG.HEX SOC. HD.	2.000 EA
HA4017A08	.125X3.50 GREASER EXTEN.	1.000 EA
HA4017A03	.125 X 1.75 GREASE EXT (F/S)	1.000 EA
HW4019A01	PIPE COUPLING 1/8 NPT,STEEL,ZINC COATING	1.000 EA
HW4505A02	BREATHER/DRAIN-EXP PROOF-.250-18 PTF AIS	0.200 EA
HW3023E06	.125 X .625 SPIRAL SPRING PIN	1.000 EA
HW5100A13	W4627-047 WVY WSHER	1.000 EA
12EP1707A26P	FACE MTD EP, XP 312 BRG, GROUP E W/EPOXY	1.000 EA
10XN3118K40	5/16-18 X 2.75" HEX HD, GRADE 5	4.000 EA
HA3051A03	1/2-13X2.75 BLT GR8 1.75 TO E NC F/S	4.000 EA
HW1001A50	LOCKWASHER 1/2, ZINC PLT.,.879 OD, .509 I	4.000 EA
HA2009A49	SLINGER FOR GROUP E MTRS - 312 BRG.	1.000 EA

Parts List (continued)		
Part Number	Description	Quantity
80XN0632A10	SET SCREW,#6-32 X .62 LG.HEX SOC. HD.	2.000 EA
HW4505A02	BREATHER/DRAIN-EXP PROOF-.250-18 PTF AIS	1.000 EA
HW3023E06	.125 X .625 SPIRAL SPRING PIN	1.000 EA
12FH1001A07P	FAN COVER, MACH W/EPOXY PRIMER & SLOT FO	1.000 EA
10XN3118K12	5/16-18 X .75 GRADE 5, ZINC PLATED	3.000 EA
HW1001A31	LOCKWASHER 5/16, ZINC PLT.591 OD, .319 I	3.000 EA
12CB1502A01P	CONDUIT BOX LID MACH. GROUP C MTRS	1.000 EA
84XN5013J32	SOCKET HD.CAP SCR,1/2-13 X 2"LG,ALLOY ST	10.000 EA
HW1001A50	LOCKWASHER 1/2, ZINC PLT.,.879 OD, .509 I	10.000 EA
HW2501H33	KEY, 1/2 SQ X 3.875	1.000 EA
LB1115N	LABEL,LIFTING DEVICE (ON ROLLS)	1.000 EA
LB1081C	ALUM XP CAUTION LABEL (COL PLANT ONLY-	1.000 EA
MJ5001A27	32220KN GRAY SEALER *MIN BUY 4 QTS=1GAL	0.001 QT
12EP1705A23PP15	ENDPLATE, MACH.312-EXPL.PROOF 311 BRG.-G	1.000 EA
HW4500A21	1618BALEMITE FITTING 825 UNIVERSAL	1.000 EA
HA4051A00	PLASTIC CAP FOR GREASE FITTING	1.000 EA
HW4500A20	1/8NPT SL PIPE PLUG	1.000 EA
MJ1000A02	GREASE, MOBIL POLYREX EM - 124047	0.200 LB
HW4500A03	GREASE FITTING, .125 NPT 1610(ALEMITE) 8	1.000 EA
HA4051A00	PLASTIC CAP FOR GREASE FITTING	1.000 EA
HW4500A20	1/8NPT SL PIPE PLUG	1.000 EA
HW2500A25	WOODRUFF KEY USA #1008 #BLOW CARBON STEE	1.000 EA
MG1025G29	WILKOFAS, 789.229, DARK CHARCOAL GRAY	0.080 GA
85XU0407S04	4X1/4 U DRIVE PIN STAINLESS	6.000 EA

Product Information Packet: CCPX322566T - 60M 6P XPFC HOR 324TCY TSTAT CP FEAT INV

LB1119N	WARNING LABEL	1.000 EA
LC0181	CONNECTION LABEL	1.000 EA
NP2033XPSLEV	SS XP INV UL CSA-EEV CC CL-I GP-C&D	1.000 EA
14PA1000	PACKAGING 314 GROUP COMBINED PRINT	1.000 EA
MN416A01	TAG-INSTAL-MAINT no wire (2100/bx) 4/22	1.000 EA

**AC Induction Motor Performance Data**

Record # 44636

Typical performance - not guaranteed values

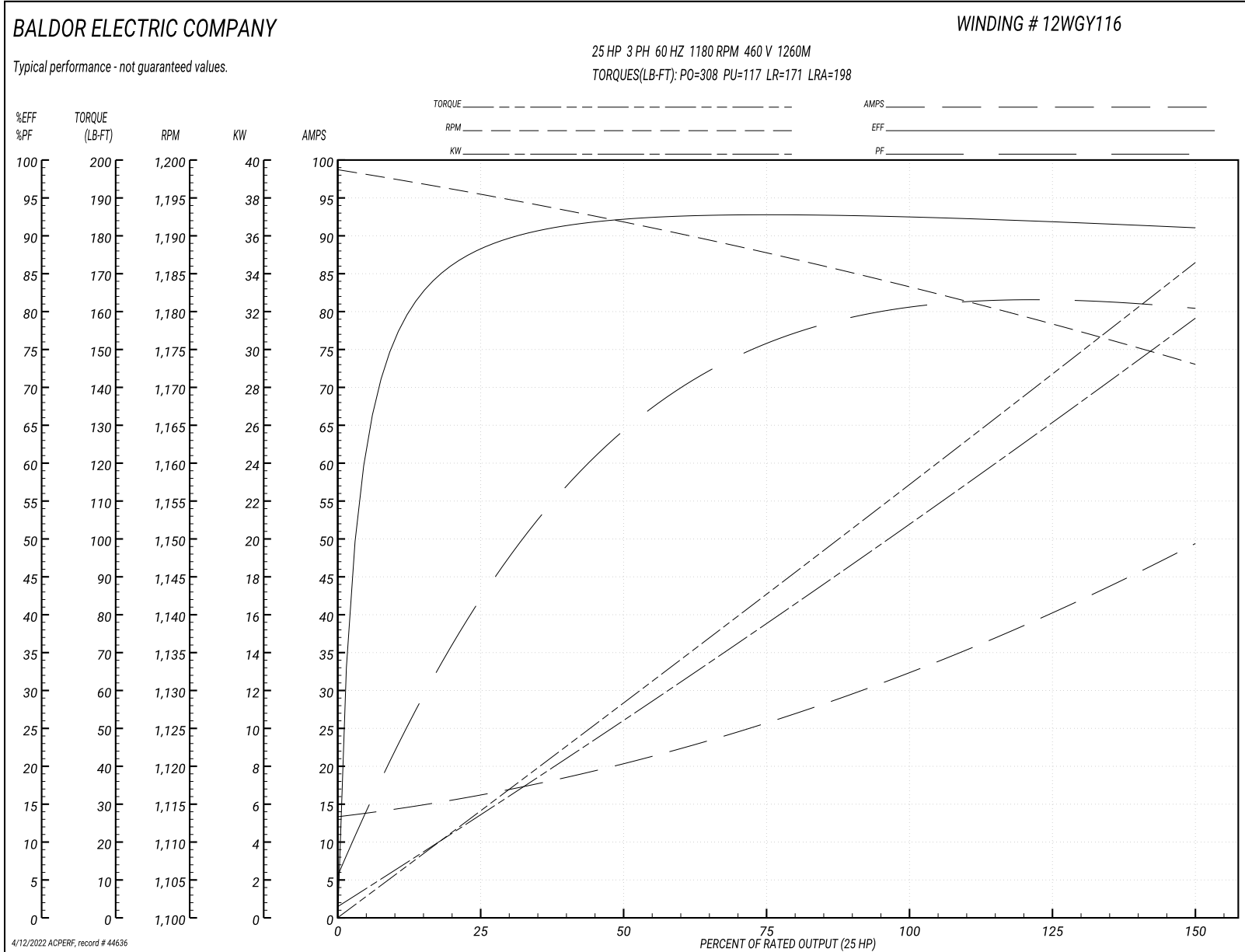
<b>Winding:</b> 12WGY116-R013		<b>Type:</b> 1260M		<b>Enclosure:</b> XPFC	
<b>Nameplate Data</b>			<b>460 V, 60 Hz: High Voltage Connection</b>		
<b>Rated Output (HP)</b>	25	<b>Full Load Torque</b>	111 LB-FT		
<b>Volts</b>	230/460	<b>Start Configuration</b>	direct on line		
<b>Full Load Amps</b>	63/32	<b>Breakdown Torque</b>	308 LB-FT		
<b>R.P.M.</b>	1180	<b>Pull-up Torque</b>	117 LB-FT		
<b>Hz</b>	60 <b>Phase</b>	3	<b>Locked-rotor Torque</b>	171 LB-FT	
<b>NEMA Design Code</b>	A	<b>KVA Code</b>	H	<b>Starting Current</b>	198 A
<b>Service Factor (S.F.)</b>	1		<b>No-load Current</b>	13.8 A	
<b>NEMA Nom. Eff.</b>	93	<b>Power Factor</b>	79	<b>Line-line Res. @ 25°C</b>	0.27033 Ω
<b>Rating - Duty</b>	40C AMB-CONT		<b>Temp. Rise @ Rated Load</b>	46°C	
			<b>Locked-rotor Power Factor</b>	28	
			<b>Rotor inertia</b>	11.5 LB-FT <sup>2</sup>	

**Load Characteristics 460 V, 60 Hz, 25 HP**

<b>% of Rated Load</b>	<b>25</b>	<b>50</b>	<b>75</b>	<b>100</b>	<b>125</b>	<b>150</b>
<b>Power Factor</b>	43	65	75	79	81	81
<b>Efficiency</b>	89.1	92.8	93.5	93.2	92.6	91.5
<b>Speed</b>	1195.4	1191.8	1188.2	1183.9	1179.3	1172.9
<b>Line amperes</b>	15.6	19.7	25.4	31.9	39.2	49.1



Performance Graph at 460V, 60Hz, 25.0HP Typical performance - Not guaranteed values



**AC Induction Motor Performance Data**

Record # 75510

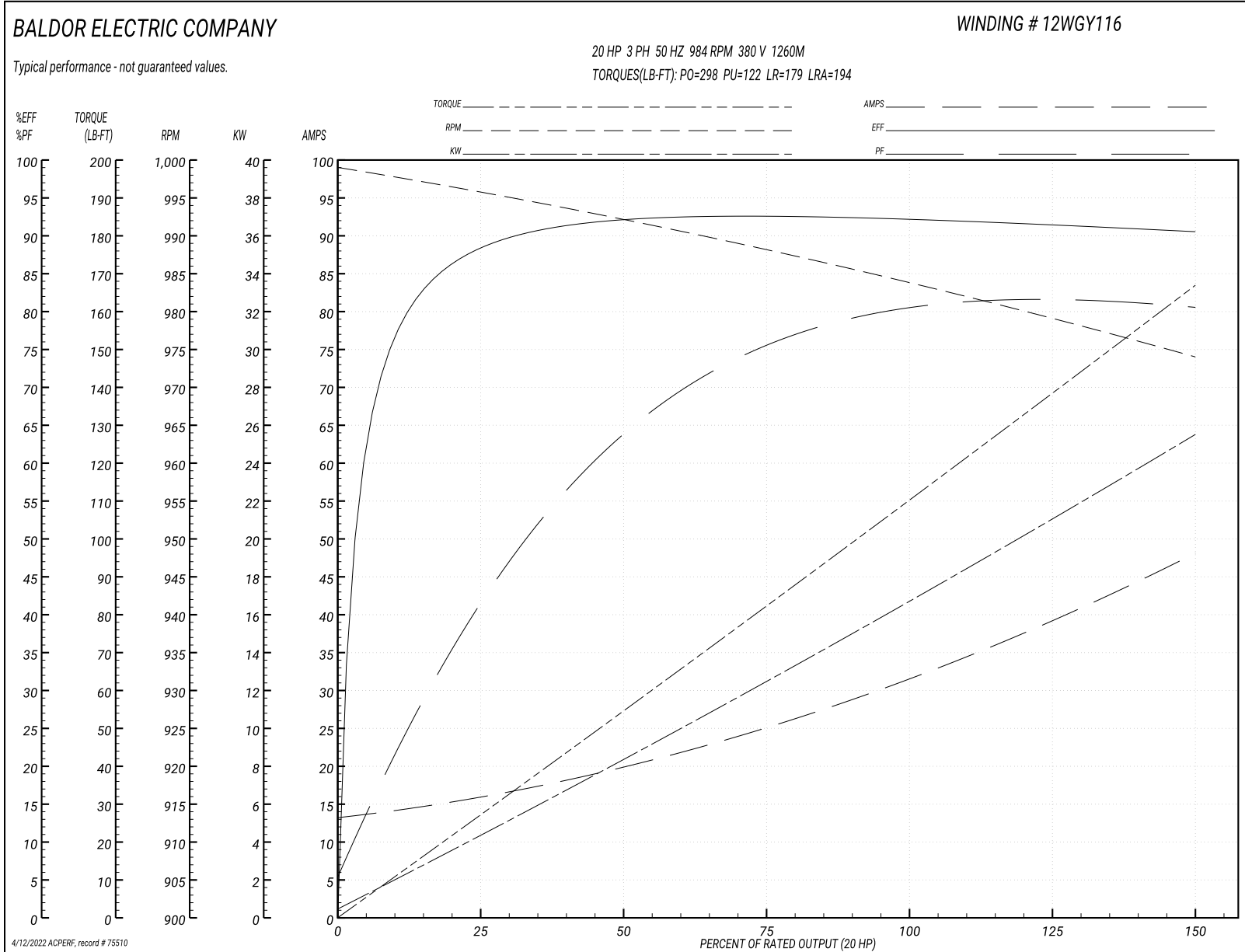
Typical performance - not guaranteed values

<b>Winding:</b> 12WGY116-R026		<b>Type:</b> 1260M		<b>Enclosure:</b> XPFC	
<b>Nameplate Data</b>			<b>380 V, 50 Hz: High Voltage Connection</b>		
<b>Rated Output (HP)</b>	25//20		<b>Full Load Torque</b>	107 LB-FT	
<b>Volts</b>	230/460//190/380		<b>Start Configuration</b>	direct on line	
<b>Full Load Amps</b>	63/32//62/31		<b>Breakdown Torque</b>	298 LB-FT	
<b>R.P.M.</b>	1180//985		<b>Pull-up Torque</b>	122 LB-FT	
<b>Hz</b>	60//50	<b>Phase</b>	3	<b>Locked-rotor Torque</b>	179 LB-FT
<b>NEMA Design Code</b>	A	<b>KVA Code</b>	H	<b>Starting Current</b>	194 A
<b>Service Factor (S.F.)</b>	1		<b>No-load Current</b>	13.66 A	
<b>NEMA Nom. Eff.</b>	93	<b>Power Factor</b>	79	<b>Line-line Res. @ 25°C</b>	0.286 Ω
<b>Rating - Duty</b>	40C AMB-CONT		<b>Temp. Rise @ Rated Load</b>	44°C	
<b>S.F. Amps</b>			<b>Temp. Rise @ S.F. Load</b>	54°C	
			<b>Locked-rotor Power Factor</b>	31.2	
			<b>Rotor inertia</b>	11.5 LB-FT <sup>2</sup>	

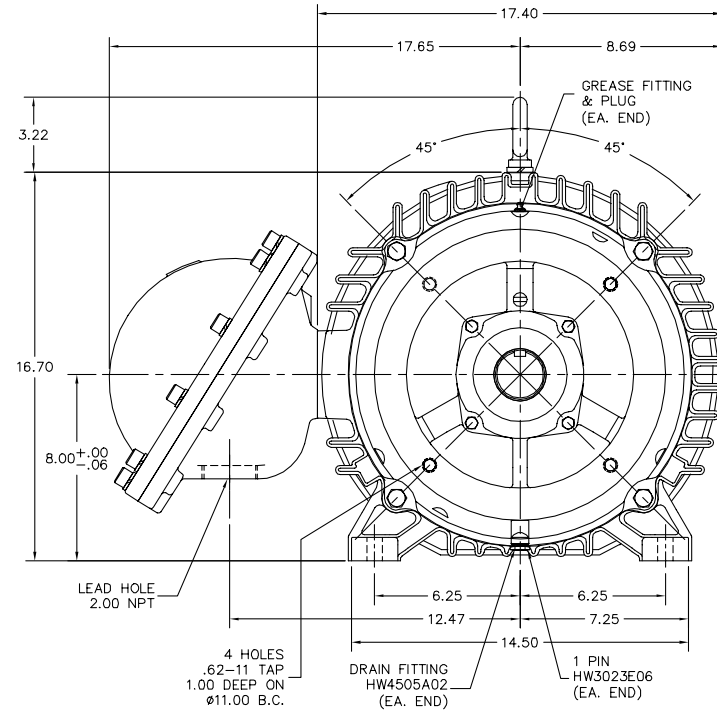
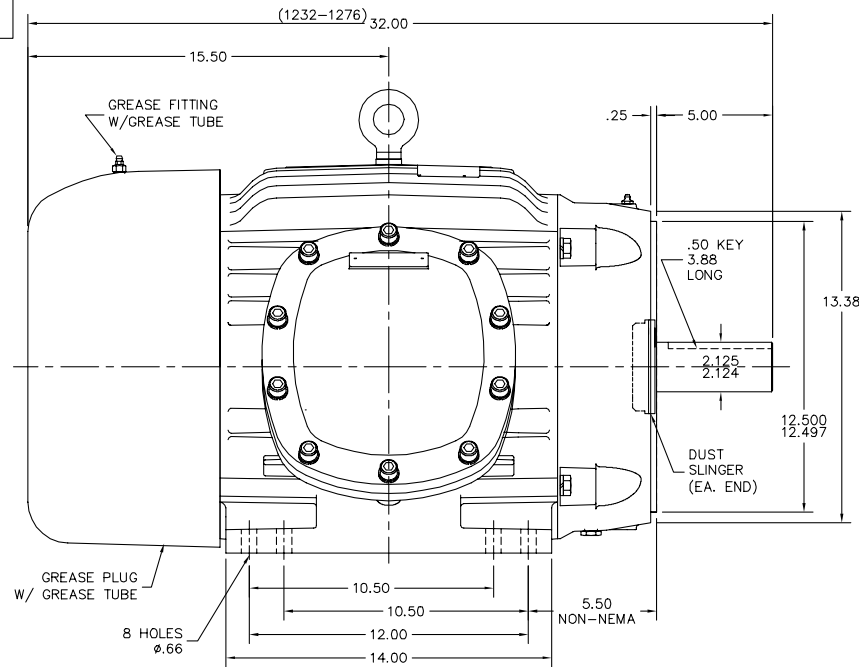
**Load Characteristics 380 V, 50 Hz, 20 HP**

<b>% of Rated Load</b>	<b>25</b>	<b>50</b>	<b>75</b>	<b>100</b>	<b>125</b>	<b>150</b>
<b>Power Factor</b>	43	65	74	79	81	81
<b>Efficiency</b>	87.2	91.6	92.4	92.6	91.6	90.4
<b>Speed</b>	996	992	989	984	980	974
<b>Line amperes</b>	15.36	19.25	24.75	31.04	38.2	47.83

Performance Graph at 380V, 50Hz, 20.0HP Typical performance - Not guaranteed values



12LYJ224



12LYJ224

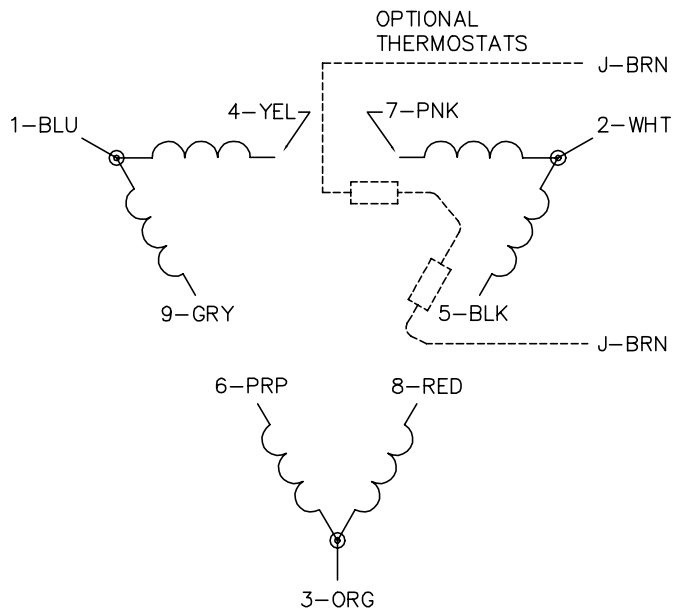
CUSTOMER IS RESPONSIBLE FOR DETERMINING THAT BALDOR'S PRODUCT WILL PERFORM SUITABLY IN THE INTENDED APPLICATION.

REV. DESC: NEW	VERSION: 00	TDR: 000001005695
REV. LTR: -	REVISED: 03:10:32 12/01/2016	BY: ENNINDO
FILE: \AAA\00231\742		
MTL: -		

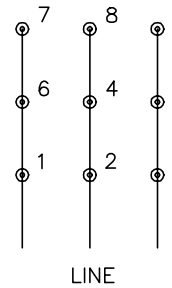
**BALDOR**

HORZ XPFC 324-6TCY CL.I GP.C&D, CL.II GP. E, F&G,CP FEATURES  
SH 1 of 1

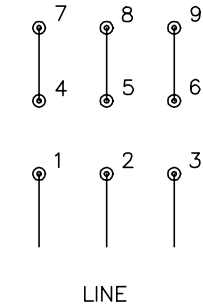
CD0180



LOW VOLTAGE  
(2D)



HIGH VOLTAGE  
(1D)



NOTES:

1. INTERCHANGE ANY TWO LINE LEADS TO REVERSE ROTATION.
2. OPTIONAL THERMOSTATS ARE PROVIDED WHEN SPECIFIED.
3. ACTUAL NUMBER OF INTERNAL PARALLEL CIRCUITS MAY BE A MULTIPLE OF THOSE SHOWN ABOVE.
4. LEAD COLORS ARE OPTIONAL. LEADS MUST ALWAYS BE NUMBERED AS SHOWN.

CD0180

REV. DESC: ADD CLASS CONN00000007		
REV. LTR: D	VERSION: 01	TDR: 000001099922
FILE: \AAA\00005\148	REVISED: 10:25:29 02/19/2019	BY: ENBRIRO
MTL: -	© □	

**BALDOR - RELIANCE®**

3PH, DV, 9 LEADS, DELTA CONNECTION

SH 1 of 1

Marketing maintained PDF of MN416:

<http://www.baldor.com/support/Literature/Load.ashx/MN416?ManNumber=MN416>