

BALDOR® • RELIANCE 

Product Information Packet

CCPX32446T

54M 4P XPFC HOR 324TCY TSTAT CP FEAT INV

Part Detail							
Revision:	C	Status:	PRD/A	Change #:		Proprietary:	No
Type:	AC	Elec. Spec:	12WGY276	CD Diagram:	CD0180	Mfg Plant:	
Mech. Spec:	12J224	Layout:	12LYJ224	Poles:	04	Created Date:	04-18-2019
Base:	RG	Eff. Date:	11-08-2021	Leads:	9#8		

Specs			
Catalog Number:	CCPX32446T	Feedback Device:	NO FEEDBACK
Enclosure:	XPFC	Front Shaft Indicator:	None
Frame:	324TCY	Heater Indicator:	No Heater
Frame Material:	Iron	Insulation Class:	F
Output @ Frequency:	30.000 HP @ 50 HZ	Inverter Code:	Inverter Duty
	40.000 HP @ 60 HZ	IP Rating:	IP55
Synchronous Speed @ Frequency:	1800 RPM @ 60 HZ	KVA Code:	H
Voltage @ Frequency:	380.0 V @ 50 HZ	Lifting Lugs:	Standard Lifting Lugs
	230.0 V @ 60 HZ	Locked Bearing Indicator:	Locked Bearing
	460.0 V @ 60 HZ	Motor Lead Quantity/Wire Size:	9 @ 8 AWG
	190.0 V @ 50 HZ	Motor Lead Termination:	Flying Leads
XP Class and Group:	CLI GP C,D; CLII GP E,F,G	Motor Type:	X1254M
XP Division:	Division I	Mounting Arrangement:	F1
Agency Approvals:	UR	Power Factor:	82
	CSA EEV	Product Family:	Hazardous Location Motor
	CSA	Pulley End Bearing Type:	Ball
Auxillary Box:	No Auxillary Box	Pulley Face Code:	C-Face
Auxillary Box Lead Termination:	None	Pulley Shaft Indicator:	Standard

Base Indicator:	Rigid	Rodent Screen:	None
Bearing Grease Type:	Polyrex EM (-20F +300F)	RoHS Status:	ROHS NON-COMPLIANT
Blower:	None	Shaft Ground Indicator:	No Shaft Grounding
Constant Torque Speed Range:	6	Shaft Rotation:	Reversible
Current @ Voltage:	96.000 A @ 230.0 V	Shaft Slinger Indicator:	Shaft Slinger
	90.000 A @ 190.0 V	Speed Code:	Single Speed
	48.000 A @ 460.0 V	Motor Standards:	NEMA
	45.000 A @ 380.0 V	Starting Method:	Direct on line
	102.000 A @ 208.0 V	Thermal Device - Bearing:	None
Design Code:	A	Thermal Device - Winding:	Normally Closed Thermostat
Drip Cover:	No Drip Cover	Vibration Sensor Indicator:	No Vibration Sensor
Duty Rating:	CONT	Winding Thermal 1:	None
Electrically Isolated Bearing:	Not Electrically Isolated	Winding Thermal 2:	None
Enclosure Modification:	Severe Duty Features	XP Temp Code:	T3C

Nameplate NP2033XPSLEV												
NO.						CC	010A					
S/N						TEMP CODE	T3C					
SPEC.	12J224Y276G1					INV.TYPE	PWM					
CAT.NO.	CCPX32446T					C HP FR	60		C HP TO	90		
HP	40//30					CT HZ FROM	6		CT HZ TO	60		
VOLTS	230/460//190/380					VT HZ FROM	6		VT HZ TO	60		
AMPS	96/48//90/45					MAG CUR	21					
RPM	1775//1480					MX RPM	2700					
HZ	60//50			PH	3		CL	F		NOM.EFF.	94.1	
SER.F.	1.00			DES	A		SL HZ	0.83		WK2	7.19	
FRAME	324TCY			RATING	40C AMB-CONT							
BLANK	55C AMB @ 1.0 SF, 60C RISE											
	1.15SF ON SINEWAVE					NEMA MG-1 PT.5,IP55						

Parts List		
Part Number	Description	Quantity
SA368637	SA 12J224Y276G1	1.000 EA
RA358159	RA 12J224Y276G1	1.000 EA
09FN3001B03SP	EXTERNAL FAN, PLASTIC (COMES W/SCREW FRO	1.000 EA
12CB1003A01P	KOBX,MACH 2.00 NPT GROUP C MTRS,EPOXY PR	1.000 EA
10XN3118K24	5/16-18 X 1.50" HEX HD, GRADE 5	4.000 EA
HW1001A31	LOCKWASHER 5/16, ZINC PLT.591 OD, .319 I	4.000 EA
WD1000B19	TERMINAL BURNDY L250HP	1.000 EA
10XN3816K12	3/8-16 X 3/4 HEX HD CAP GRADE 5	1.000 EA
HW1001A38	LOCKWASHER 3/8, ZINC PLT .688 OD, .382 I	1.000 EA
HA3051A03	1/2-13X2.75 BLT GR8 1.75 TO E NC F/S	4.000 EA
HW1001A50	LOCKWASHER 1/2, ZINC PLT.,.879 OD, .509 I	4.000 EA
HA2009A50	SLINGER FOR GROUP E MTRS - 311 BRG.	1.000 EA
80XN0632A10	SET SCREW,#6-32 X .62 LG.HEX SOC. HD.	2.000 EA
HA4017A08	.125X3.50 GREASER EXTEN.	1.000 EA
HA4017A03	.125 X 1.75 GREASE EXT (F/S)	1.000 EA
HW4019A01	PIPE COUPLING 1/8 NPT,STEEL,ZINC COATING	1.000 EA
HW4505A02	BREATHER/DRAIN-EXP PROOF-.250-18 PTF AIS	0.200 EA
HW3023E06	.125 X .625 SPIRAL SPRING PIN	1.000 EA
HW5100A13	W4627-047 WVY WSHER	1.000 EA
12EP1707A26P	FACE MTD EP, XP 312 BRG, GROUP E W/EPOXY	1.000 EA
10XN3118K40	5/16-18 X 2.75" HEX HD, GRADE 5	4.000 EA
HA3051A03	1/2-13X2.75 BLT GR8 1.75 TO E NC F/S	4.000 EA
HW1001A50	LOCKWASHER 1/2, ZINC PLT.,.879 OD, .509 I	4.000 EA
HA2009A49	SLINGER FOR GROUP E MTRS - 312 BRG.	1.000 EA

Parts List (continued)		
Part Number	Description	Quantity
80XN0632A10	SET SCREW,#6-32 X .62 LG.HEX SOC. HD.	2.000 EA
HW4505A02	BREATHER/DRAIN-EXP PROOF-.250-18 PTF AIS	1.000 EA
HW3023E06	.125 X .625 SPIRAL SPRING PIN	1.000 EA
12FH1001A07P	FAN COVER, MACH W/EPOXY PRIMER & SLOT FO	1.000 EA
10XN3118K12	5/16-18 X .75 GRADE 5, ZINC PLATED	3.000 EA
HW1001A31	LOCKWASHER 5/16, ZINC PLT.591 OD, .319 I	3.000 EA
12CB1502A01P	CONDUIT BOX LID MACH. GROUP C MTRS	1.000 EA
84XN5013J32	SOCKET HD.CAP SCR,1/2-13 X 2"LG,ALLOY ST	10.000 EA
HW1001A50	LOCKWASHER 1/2, ZINC PLT.,.879 OD, .509 I	10.000 EA
HW2501H33	KEY, 1/2 SQ X 3.875	1.000 EA
LB1115N	LABEL,LIFTING DEVICE (ON ROLLS)	1.000 EA
LB1081C	ALUM XP CAUTION LABEL (COL PLANT ONLY-	1.000 EA
MJ5001A27	32220KN GRAY SEALER *MIN BUY 4 QTS=1GAL	0.001 QT
12EP1705A23PP15	ENDPLATE, MACH.312-EXPL.PROOF 311 BRG.-G	1.000 EA
HW4500A21	1618BALEMITE FITTING 825 UNIVERSAL	1.000 EA
HA4051A00	PLASTIC CAP FOR GREASE FITTING	1.000 EA
HW4500A20	1/8NPT SL PIPE PLUG	1.000 EA
MJ1000A02	GREASE, MOBIL POLYREX EM - 124047	0.200 LB
HW4500A03	GREASE FITTING, .125 NPT 1610(ALEMITE) 8	1.000 EA
HA4051A00	PLASTIC CAP FOR GREASE FITTING	1.000 EA
HW4500A20	1/8NPT SL PIPE PLUG	1.000 EA
HW2500A25	WOODRUFF KEY USA #1008 #BLOW CARBON STEE	1.000 EA
MG1025G29	WILKOFAS, 789.229, DARK CHARCOAL GRAY	0.080 GA
85XU0407S04	4X1/4 U DRIVE PIN STAINLESS	6.000 EA

Product Information Packet: CCPX32446T - 54M 4P XPFC HOR 324TCY TSTAT CP FEAT INV

LB1119N	WARNING LABEL	1.000 EA
LC0181	CONNECTION LABEL	1.000 EA
NP2033XPSLEV	SS XP INV UL CSA-EEV CC CL-I GP-C&D	1.000 EA
14PA1000	PACKAGING 314 GROUP COMBINED PRINT	1.000 EA
MN416A01	TAG-INSTAL-MAINT no wire (2100/bx) 4/22	1.000 EA

AC Induction Motor Performance Data

Record # 43813

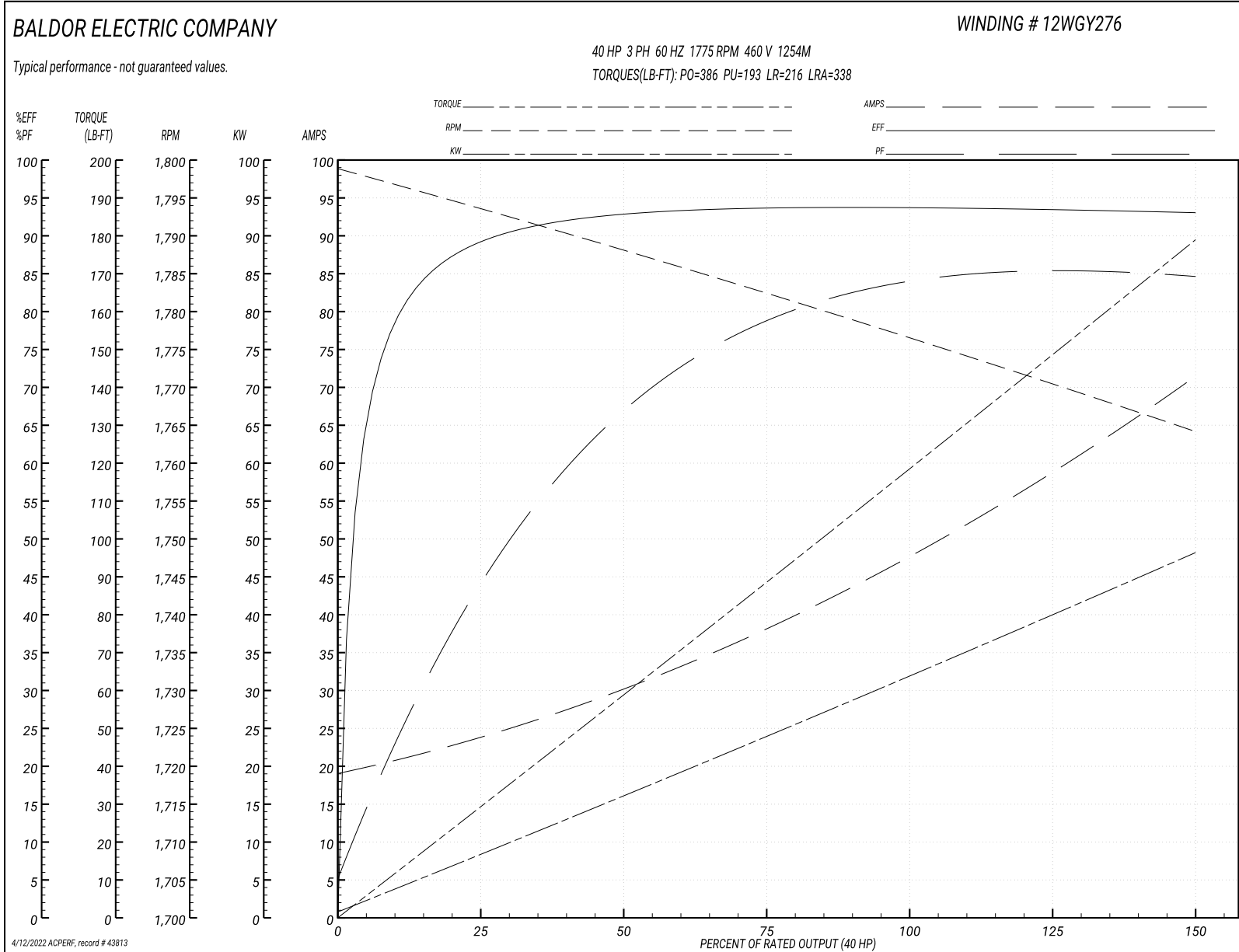
Typical performance - not guaranteed values

Winding: 12WGY276-R023		Type: 1254M		Enclosure: XPFC	
Nameplate Data			460 V, 60 Hz: High Voltage Connection		
Rated Output (HP)	40	Full Load Torque	118 LB-FT		
Volts	230/460	Start Configuration	direct on line		
Full Load Amps	96/48	Breakdown Torque	386 LB-FT		
R.P.M.	1775	Pull-up Torque	193 LB-FT		
Hz	60 Phase	Locked-rotor Torque	216 LB-FT		
NEMA Design Code	A	Starting Current	338 A		
Service Factor (S.F.)		No-load Current	19.9 A		
NEMA Nom. Eff.	94.1	Line-line Res. @ 25°C	0.14898 Ω		
Rating - Duty	40C AMB-CONT	Temp. Rise @ Rated Load	54°C		
		Locked-rotor Power Factor	27		
		Rotor inertia	7.19 LB-FT ²		

Load Characteristics 460 V, 60 Hz, 40 HP

% of Rated Load	25	50	75	100	125	150
Power Factor	47	69	78	83	85	85
Efficiency	90.1	93.5	94.2	94.2	93.8	93.1
Speed	1793.5	1788	1782.5	1776.6	1770.7	1764.1
Line amperes	22.9	29.5	38.4	48.1	59.2	70.8

Performance Graph at 460V, 60Hz, 40.0HP Typical performance - Not guaranteed values



AC Induction Motor Performance Data

Record # 75684

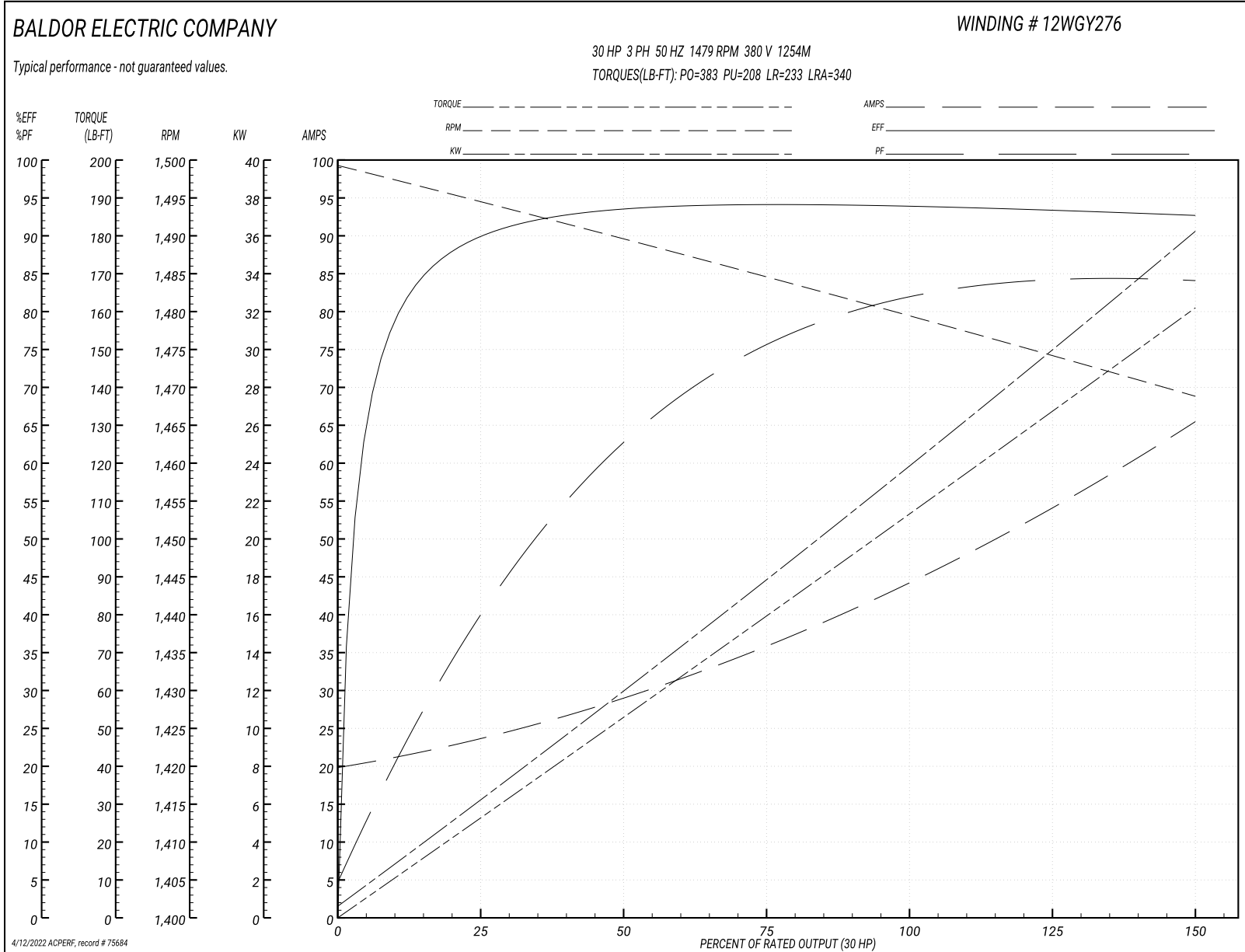
Typical performance - not guaranteed values

Winding: 12WGY276-R040		Type: 1254M	Enclosure: XPFC	
Nameplate Data			380 V, 50 Hz: High Voltage Connection	
Rated Output (HP)	40//30		Full Load Torque	107 LB-FT
Volts	230/460//190/380		Start Configuration	direct on line
Full Load Amps	96/48//90/45		Breakdown Torque	383 LB-FT
R.P.M.	1775//1480		Pull-up Torque	208 LB-FT
Hz	60//50	Phase 3	Locked-rotor Torque	233 LB-FT
NEMA Design Code	A	KVA Code H	Starting Current	340 A
Service Factor (S.F.)	1		No-load Current	20.49 A
NEMA Nom. Eff.	94.1	Power Factor 82	Line-line Res. @ 25°C	0.145 Ω
Rating - Duty	40C AMB-CONT		Temp. Rise @ Rated Load	47°C
S.F. Amps			Temp. Rise @ S.F. Load	57°C
			Locked-rotor Power Factor	30.4
			Rotor inertia	7.19 LB-FT ²

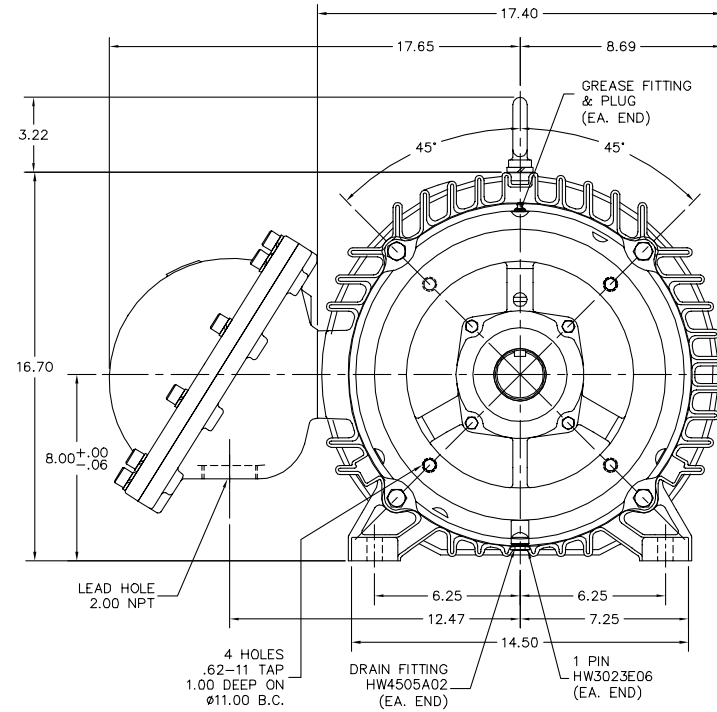
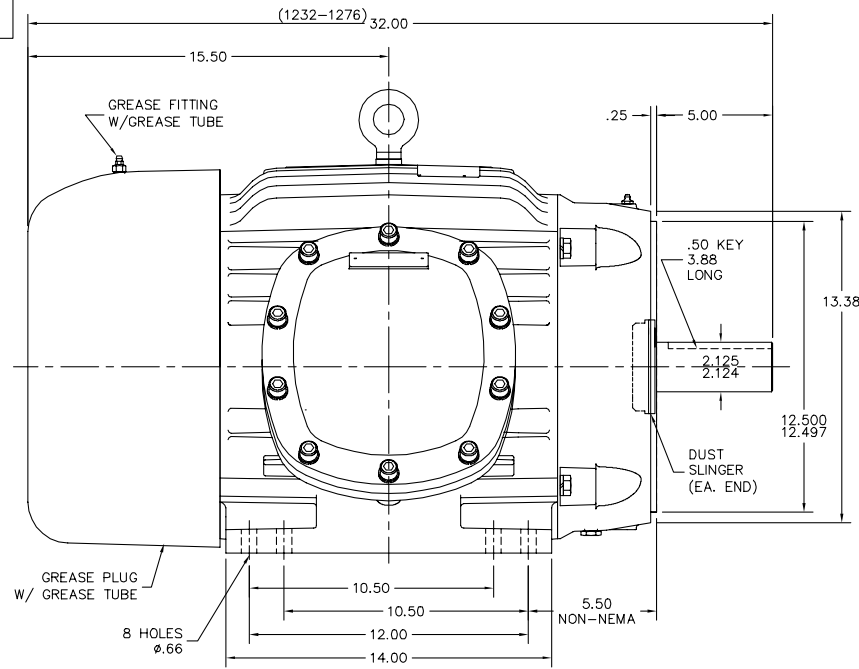
Load Characteristics 380 V, 50 Hz, 30 HP

% of Rated Load	25	50	75	100	125	150
Power Factor	42	65	75	81	83	85
Efficiency	89.7	93.3	94	94	93.5	92.5
Speed	1495	1489	1485	1479	1474	1469
Line amperes	22.95	28.58	36.28	44.78	54.64	64.99

Performance Graph at 380V, 50Hz, 30.0HP Typical performance - Not guaranteed values



12LYJ224



12LYJ224

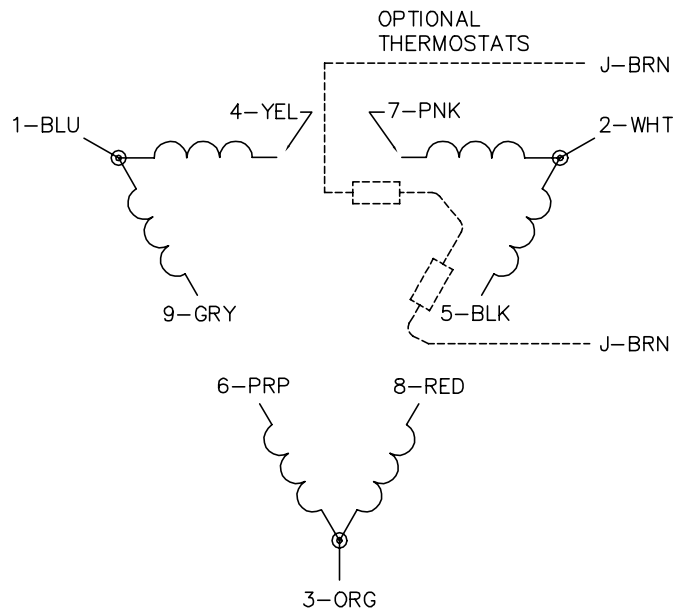
CUSTOMER IS RESPONSIBLE FOR DETERMINING THAT BALDOR'S PRODUCT WILL PERFORM SUITABLY IN THE INTENDED APPLICATION.

REV. DESC: NEW	VERSION: 00	TDR: 000001005695
REV. LTR: -	REVISED: 03:10:32 12/01/2016	BY: ENNINDO
FILE: \AAA\00231\742		
MTL: -		

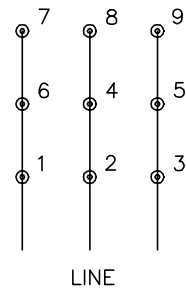
BALDOR

HORZ XPFC 324-6TCY CL.I GP.C&D, CL.II GP. E, F&G,CP FEATURES
SH 1 of 1

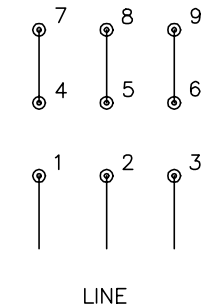
CD0180



LOW VOLTAGE
(2D)



HIGH VOLTAGE
(1D)



NOTES:

1. INTERCHANGE ANY TWO LINE LEADS TO REVERSE ROTATION.
2. OPTIONAL THERMOSTATS ARE PROVIDED WHEN SPECIFIED.
3. ACTUAL NUMBER OF INTERNAL PARALLEL CIRCUITS MAY BE A MULTIPLE OF THOSE SHOWN ABOVE.
4. LEAD COLORS ARE OPTIONAL. LEADS MUST ALWAYS BE NUMBERED AS SHOWN.

CD0180

REV. DESC: ADD CLASS CONN00000007		
REV. LTR: D	VERSION: 01	TDR: 000001099922
FILE: \AAA\00005\148	REVISED: 10:25:29 02/19/2019	BY: ENBRIRO
MTL: -	© □	

BALDOR - RELIANCE®

3PH, DV, 9 LEADS, DELTA CONNECTION

SH 1 of 1

Marketing maintained PDF of MN416:

<http://www.baldor.com/support/Literature/Load.ashx/MN416?ManNumber=MN416>