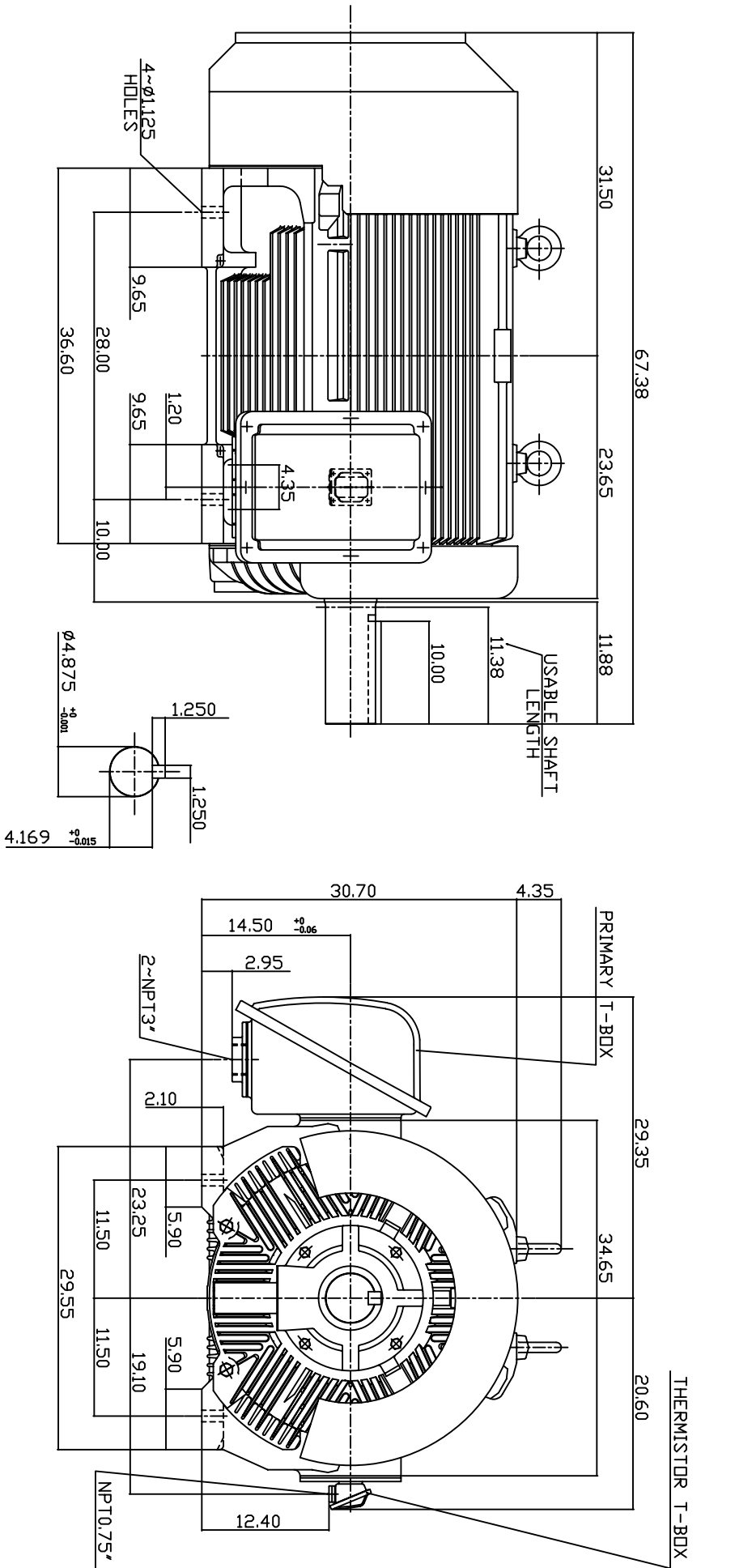


| TYPE | OUTPUT | | POLE | TIME RATING | VOLTAGE | Hz | SYN SPEED R.P.M |
|--------|--------|-----|------|-------------|---------|----|-----------------|
| | HP. | KW. | | | | | |
| AEEAGD | 400 | 298 | 6 | CDNT. | 460 | 60 | 1200 |

TOTALLY ENCLOSED FAN-COOLED TYPE, SQUIRREL-CAGE ROTOR



NOTE:

1. DIMENSIONS IN INCH.
2. FRAME NO. 5808C
3. F CLASS INSULATION, S.F.115
4. ENCLOSURE: IP55
5. WITH THERMISTOR: PTC 140°C 3PCS
6. BEARING SIZE: DRIVE END: NU326C3
NON-DRIVE END: 6322
7. MOTOR APPROX. WEIGHT: 5100 LBS

TW-66C

| DATE | DESCRIPTION |
|---------------------|-------------------------|
| April 16, 2004 | OUTLINE DIMENSIONS |
| CATALOG NO. CD4006R | 3-PHASE INDUCTION MOTOR |

| | | |
|-------|--------|---------------|
| DWN. | W.LLIN | APR. 28. 2003 |
| CHKD. | W.LLIN | APR. 28. 2003 |
| APPD. | C.WANG | APR. 28. 2003 |

| | | | |
|------------|---------------------|--------------------|---------|
| TEC | Westinghouse | DWG NO. 3A040T4341 | REV: 00 |
|------------|---------------------|--------------------|---------|

TECO Westinghouse

| | | |
|---------------------------|---|----------------------------|
| ISSUED 03/07/05 | PERFORMANCE DATA 3-PHASE INDUCTION MOTOR | ENCLOSURE TEFC |
| TYPE AEEAGD | | CATALOG# CD4006R |

NAMEPLATE INFORMATION

| OUTPUT | | POLE | FRAME SIZE | VOLTAGE | HZ | RATED AMBIENT | INS. CLASS | NEMA DESIGN | TIME RATING | SERVICE FACTOR |
|------------|------------|----------|--------------|------------|-----------|---------------|------------|-------------|--------------|----------------|
| HP | KW | | | | | | | | | |
| 400 | 298 | 6 | 5808C | 460 | 60 | 40°C | F | C | CONT. | 1.15 |

TYPICAL PERFORMANCE

| FULL LOAD RPM | EFFICIENCY | | | | POWER FACTOR | | | MAXIMUM POWER FACTOR CORRECTION |
|---------------|------------|-------------|-----------|-------------|--------------|-----------|-----------|---------------------------------|
| | FULL LOAD | | 3/4 LOAD | 1/2 LOAD | F. L. | 3/4 LOAD | 1/2 LOAD | |
| | MIN. % | NOM. % | % | % | % | % | % | |
| 1183 | 94 | 94.5 | 93 | 90.2 | 85.5 | 82 | 75 | 96 KVAR |

CURRENTS

| NO LOAD | FULL LOAD | LOCKED ROTOR | NEMA KVA CODE LETTER |
|------------|------------|--------------|----------------------|
| 120 | 464 | 2900 | G |

TORQUE

INERTIA

ACCEL TIME

| FULL LOAD lb-ft | LOCKED ROTOR %FLT | PULL UP %FLT | BREAK DOWN %FLT | ROTOR WR ² lb-ft ² | NEMA LOAD WK ² lb-ft ² | MAX ALLOWABLE WK ² lb-ft ² | NEMA LOAD WK ² Sec | MAX ALLOWABLE WK ² Sec |
|-----------------|-------------------|--------------|-----------------|--|--|--|-------------------------------|-----------------------------------|
| 1775 | 200 | 160 | 250 | 375 | 4199 | 8398 | 4.75 | 9.11 |

SAFE STALL TIME IN SECONDS

ALLOWABLE STARTS PER HOUR

SOUND PRESSURE LEVEL @ 3 FT dB(A)

| COLD | HOT | COLD | HOT | 90 |
|-----------|-----------|----------|----------|----|
| 20 | 15 | 2 | 1 | |

APPROVED:

M. PRATER

DRAWING NO.

3A057CD4006R

REVISION **0**

DATE:
April 28, 2005

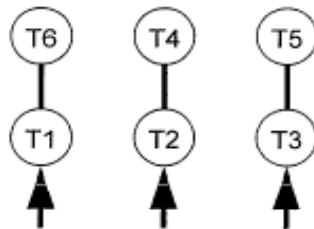
CONNECTION DIAGRAM

CATALOG NO.:
CD4006R



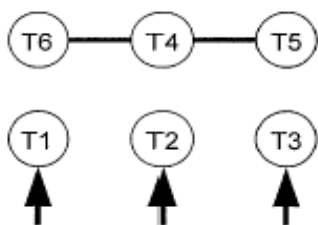
SCHEMATIC - Δ / Y CONNECTION

ACROSS THE LINE CONNECTION

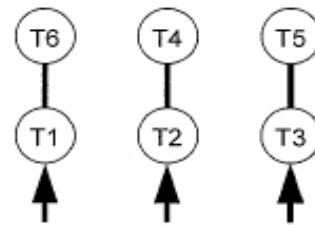


460 VOLT CONNECTION

WYE START-DELTA RUN CONNECTION



**LINE
460 VOLT START**



**LINE
460 VOLT RUN**