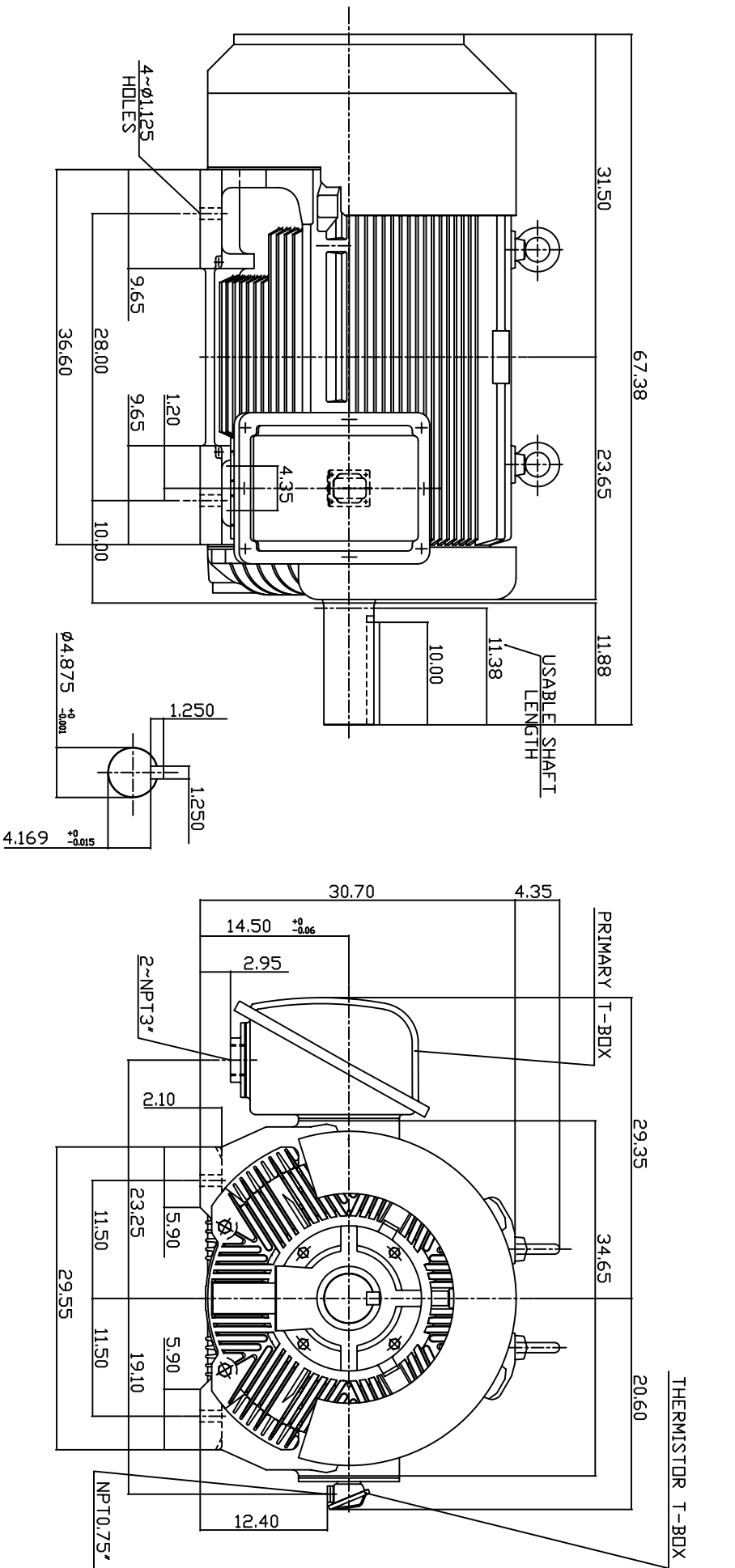


TYPE	OUTPUT		POLE	TIME RATING	VOLTAGE	Hz	SYN SPEED R.P.M
	HP.	KW.					
AEEAGD	400	298	8	CDNT.	460	60	900

TOTALLY ENCLOSED FAN-COOLED TYPE, SQUIRREL-CAGE ROTOR



NOTE:

1. DIMENSIONS IN INCH.
2. FRAME NO. 5808C
3. F CLASS INSULATION, S.F.115
4. ENCLOSURE: IP55
5. WITH THERMISTOR: PTC 140°C 3PCS
DRIVE END: NU326C3
NON-DRIVE END: 6322
6. BEARING SIZE:
7. MOTOR APPROX. WEIGHT: 5550 LBS

TW-66C

DATE	OUTLINE DIMENSIONS
April 16, 2004	3-PHASE INDUCTION MOTOR
CATALOG NO. CD4008R	
DWG NO. 3A040T4342	REV: 00

DATE	APPD.	CHKD.	DWN.
APR. 28. 2003	C. WANG	W. LLIN	W. LLIN
APR. 28. 2003			



TECO Westinghouse

ISSUED 03/07/05	PERFORMANCE DATA 3-PHASE INDUCTION MOTOR	ENCLOSURE TEFC
TYPE AEEAGD		CATALOG# CD4008R

NAMEPLATE INFORMATION

OUTPUT		POLE	FRAME SIZE	VOLTAGE	HZ	RATED AMBIENT	INS. CLASS	NEMA DESIGN	TIME RATING	SERVICE FACTOR
HP	KW									
400	298	8	5808C	460	60	40°C	F	C	CONT.	1.15

TYPICAL PERFORMANCE

FULL LOAD RPM	EFFICIENCY				POWER FACTOR			MAXIMUM POWER FACTOR CORRECTION
	FULL LOAD		3/4 LOAD	1/2 LOAD	F. L.	3/4 LOAD	1/2 LOAD	
	MIN. %	NOM. %	%	%	%	%	%	
888	94	94.5	92.4	90.2	81.5	77.5	68.5	135 KVAR

CURRENTS

NO LOAD	FULL LOAD	LOCKED ROTOR	NEMA KVA CODE LETTER
170	486	2900	G

TORQUE

INERTIA

ACCEL TIME

FULL LOAD lb-ft	LOCKED ROTOR %FLT	PULL UP %FLT	BREAK DOWN %FLT	ROTOR WR ² lb-ft ²	NEMA LOAD WK ² lb-ft ²	MAX ALLOWABLE WK ² lb-ft ²	NEMA LOAD WK ² Sec	MAX ALLOWABLE WK ² Sec
2364	200	160	250	572	8500	21250	5.31	12.77

SAFE STALL TIME IN SECONDS

ALLOWABLE STARTS PER HOUR

SOUND PRESSURE LEVEL @ 3 FT dB(A)

COLD	HOT	COLD	HOT	85
20	15	2	1	

APPROVED:

M. PRATER

DRAWING NO.

3A057CD4008R

REVISION **0**

DATE:
April 28, 2005

CONNECTION DIAGRAM

CATALOG NO.:
CD4008R



SCHEMATIC - Δ / Y CONNECTION

ACROSS THE LINE CONNECTION

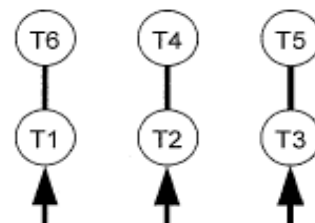


460 VOLT CONNECTION

WYE START-DELTA RUN CONNECTION



**LINE
460 VOLT START**



**LINE
460 VOLT RUN**