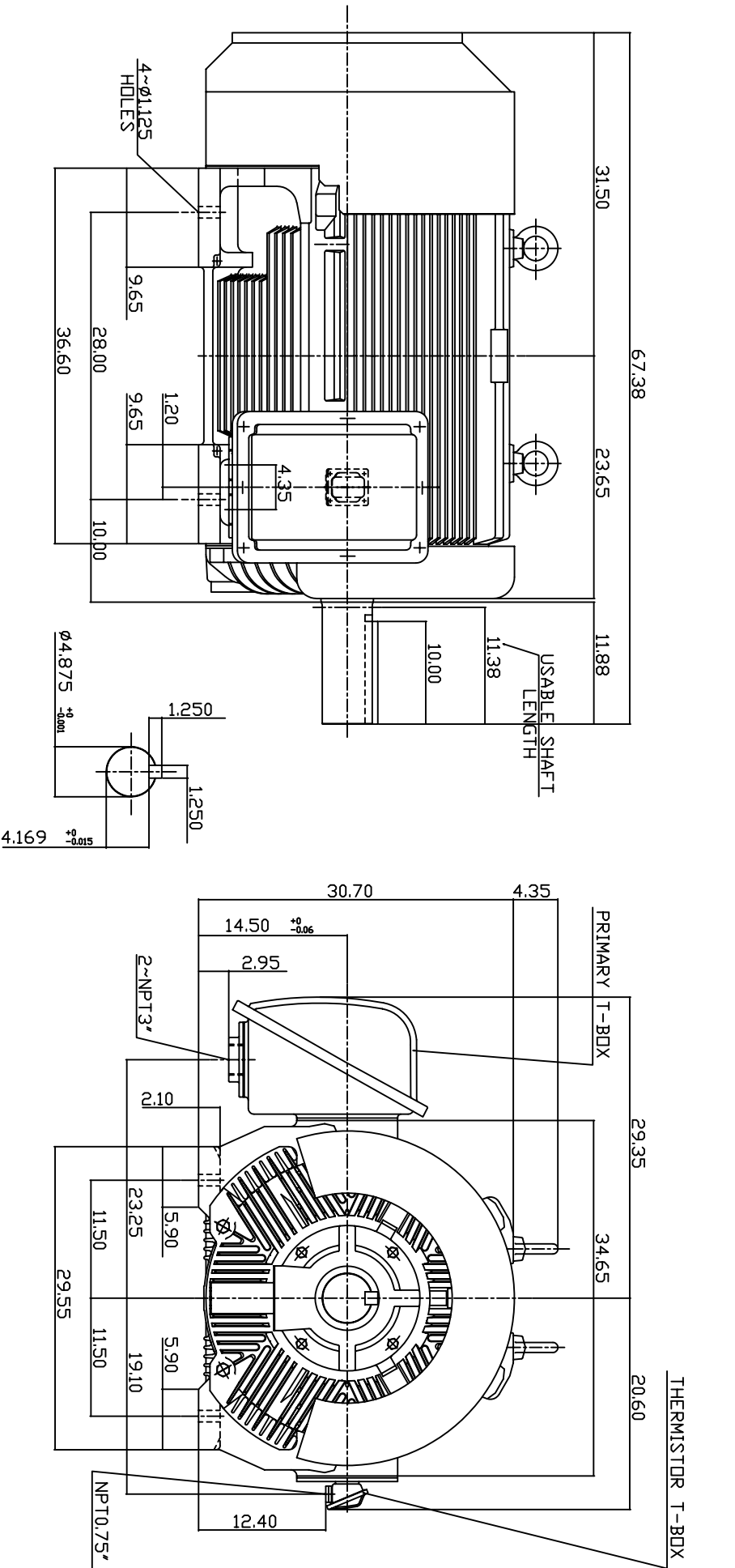


TYPE	OUTPUT		POLE	TIME RATING	VOLTAGE V	Hz	SYNSPEED R.P.M
	HP.	KW.					
AEEAGD	500	373	6	CDNT.	460	60	1200

TOTALLY ENCLOSED FAN-COOLED TYPE, SQUIRREL-CAGE ROTOR



NOTE:

1. DIMENSIONS IN INCH.
2. FRAME NO. 5808C
3. F CLASS INSULATION, S.F.115
4. ENCLDURE: IP55
5. WITH THERMISTOR: PTC 140°C 3PCS  
DRIVE END: NU326C3  
NON-DRIVE END: 6322
6. BEARING SIZE:
7. MOTOR APPROX. WEIGHT: 5650 LBS

TW-66C

DWN.	W.LLIN	APR. 28. 2003
CHKD.	W.LLIN	APR. 28. 2003
APPD.	C.WANG	APR. 28. 2003

DATE	APRIL 16, 2004	OUTLINE DIMENSIONS
CATALOG NO.	CDS5006R	
3-PHASE INDUCTION MOTOR		DWG NO. 3A040T4346
REV: 00		

**TEC Westinghouse**

# TECO Westinghouse

ISSUED <b>03/07/05</b>	<b>PERFORMANCE DATA</b>	ENCLOSURE <b>TEFC</b>
TYPE <b>AEEAGD</b>	<b>3-PHASE INDUCTION MOTOR</b>	CATALOG# <b>CD5006R</b>

### NAMEPLATE INFORMATION

OUTPUT		POLE	FRAME SIZE	VOLTAGE	HZ	RATED AMBIENT	INS. CLASS	NEMA DESIGN	TIME RATING	SERVICE FACTOR
HP	KW									
<b>500</b>	<b>373</b>	<b>6</b>	<b>5808C</b>	<b>460</b>	<b>60</b>	<b>40°C</b>	<b>F</b>	<b>C</b>	<b>CONT.</b>	<b>1.15</b>

### TYPICAL PERFORMANCE

FULL LOAD RPM	EFFICIENCY				POWER FACTOR			MAXIMUM POWER FACTOR CORRECTION
	FULL LOAD		3/4 LOAD	1/2 LOAD	F. L.	3/4 LOAD	1/2 LOAD	
	MIN. %	NOM. %	%	%	%	%	%	
<b>1183</b>	<b>94</b>	<b>94.5</b>	<b>93</b>	<b>91</b>	<b>85.5</b>	<b>82.5</b>	<b>75.5</b>	<b>120 KVAR</b>

### CURRENTS

NO LOAD	FULL LOAD	LOCKED ROTOR	NEMA KVA CODE LETTER
<b>150</b>	<b>579</b>	<b>3625</b>	<b>G</b>

### TORQUE

### INERTIA

### ACCEL TIME

FULL LOAD lb-ft	LOCKED ROTOR %FLT	PULL UP %FLT	BREAK DOWN %FLT	ROTOR WR <sup>2</sup> lb-ft <sup>2</sup>	NEMA LOAD WK <sup>2</sup> lb-ft <sup>2</sup>	MAX ALLOWABLE WK <sup>2</sup> lb-ft <sup>2</sup>	NEMA LOAD WK <sup>2</sup> Sec	MAX ALLOWABLE WK <sup>2</sup> Sec
<b>2219</b>	<b>200</b>	<b>160</b>	<b>250</b>	<b>435</b>	<b>5130</b>	<b>10260</b>	<b>4.62</b>	<b>8.89</b>

SAFE STALL TIME IN SECONDS

ALLOWABLE STARTS PER HOUR

SOUND PRESSURE LEVEL @ 3 FT dB(A)

COLD	HOT	COLD	HOT	90
<b>20</b>	<b>15</b>	<b>2</b>	<b>1</b>	

APPROVED:

**M. PRATER**

DRAWING NO.

**3A057CD5006R**

REVISION **0**

DATE:  
April 28, 2005

# CONNECTION DIAGRAM

CATALOG NO.:  
CD5006R



**SCHEMATIC -  $\Delta$  / Y CONNECTION**

## ACROSS THE LINE CONNECTION



**460 VOLT CONNECTION**

## WYE START-DELTA RUN CONNECTION



**LINE  
460 VOLT START**



**LINE  
460 VOLT RUN**