

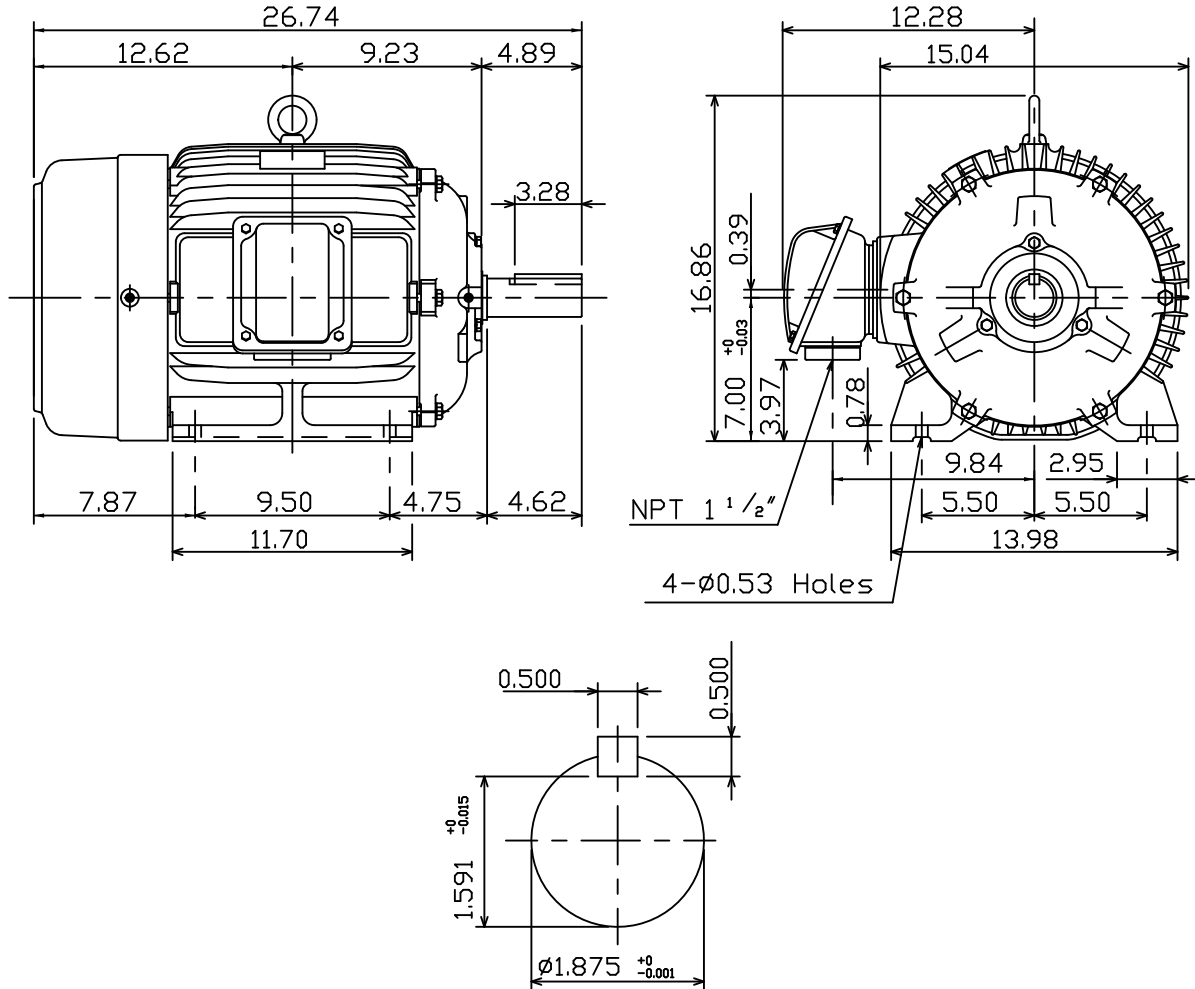
DATE:  
January 26, 2018  
CATALOG NO.  
CDP0254

OUTLINE DIMENSIONS  
3-PHASE INDUCTION MOTOR

MOTOR TYPE:  
AEHHGD  
FRAME NO. 284T

Pole	HP	kW	Hz	VOLT	r/min
4	25	18.7	60	230/460	1800
Ins	Rating	Dimension in	Approx Weight	Bearings	
F	CONT.	inches	510 LBS.	DE: 6311ZZ	NDE: 6310ZZ

Totally Enclosed Fan Cooled Type. Squirrel-cage Rotor.



NOTE:

1. ENCLOSURE: IP55
2. SHAFT MATERIAL: SCM440 Q&T (AISI 4140 EQUIV)
3. WITH THERMISTOR: PTC 140°C x 3PCS  
WIRED IN MAIN TERMINAL BOX



DWG.	C.COOK	02-01-18

TEC Westinghouse

DWG NO.  
31057M024070

# TECO Westinghouse

ISSUED <b>6/13/2019</b>	<b>PERFORMANCE DATA</b> <b>3-PHASE INDUCTION MOTOR</b>	ENCLOSURE <b>TEFC</b>
TYPE <b>AEHHGD</b>		CATALOG# <b>CDP0254</b>

### NAMEPLATE INFORMATION

OUTPUT		POLE	FRAME SIZE	VOLTAGE	HZ	RATED AMBIENT	INS. CLASS	NEMA DESIGN	TIME RATING	SERVICE FACTOR
HP	KW									
<b>25</b>	<b>18.7</b>	<b>4</b>	<b>284T</b>	<b>230/460</b>	<b>60</b>	<b>40°C</b>	<b>F</b>	<b>C</b>	<b>CONT.</b>	<b>1.15</b>

### VARIABLE FREQUENCY DRIVE SERVICE

VARIABLE TORQUE				OHMS/PHASE EQUIVALENT WYE CIRCUIT (AT RATED OPERATING TEMPERATURE 25°C)				
HZ	HP	RPM	TORQUE (lb-ft)	R1	R2	X1	X2	X <sub>m</sub>
<b>3~60</b>	<b>0.0032~25</b>	<b>90~1800</b>	<b>0.187~74.37</b>	<b>0.1408</b>	<b>0.271</b>	<b>0.8469</b>	<b>1.3283</b>	<b>43.804</b>

CONSTANT TORQUE				CONSTANT HORSEPOWER			
HZ	HP	RPM	TORQUE (lb-ft)	HZ	HP	RPM	TORQUE (lb-ft)
<b>6~60</b>	<b>2.5~25</b>	<b>180~1800</b>	<b>74.37</b>	<b>60~90</b>	<b>25</b>	<b>1800~2700</b>	<b>74.37~49.58</b>

### TYPICAL PERFORMANCE

FULL LOAD RPM	EFFICIENCY				POWER FACTOR			SOUND PRESSURE LEVEL @ 3 FT Db(A)
	FULL LOAD		3/4 LOAD %	1/2 LOAD %	FULL LOAD %	3/4 LOAD %	1/2 LOAD %	
	MIN.%	NOM.%						
<b>1765</b>	<b>93.6</b>	<b>92.4</b>	<b>93.6</b>	<b>93.6</b>	<b>86</b>	<b>83</b>	<b>77</b>	<b>68</b>

CURRENTS						NEMA KVA CODE LETTER	SAFE STALL TIME IN SECONDS	
NO LOAD		FULL LOAD		LOCKED ROTOR			COLD	HOT
AT 230 VOLT	AT 460 VOLT	AT 230 VOLT	AT 460 VOLT	AT 230 VOLT	AT 460 VOLT			
<b>14.3</b>	<b>7.1</b>	<b>58.2</b>	<b>29.1</b>	<b>366.0</b>	<b>183.0</b>	<b>G</b>	<b>17</b>	<b>12</b>

TORQUE				INERTIA			ACCEL TIME (DOL)		ALLOWABLE STARTS PER HOUR	
FULL LOAD (lb-ft)	LOCKED ROTOR %FLT	PULL UP %FLT	BREAK DOWN %FLT	ROTOR WR <sup>2</sup> (lb-ft <sup>2</sup> )	NEMA LOAD WK <sup>2</sup> (lb-ft <sup>2</sup> )	MAX ALLOWABLE WK <sup>2</sup> (lb-ft <sup>2</sup> )	NEMA LOAD WK <sup>2</sup> Sec	MAX ALLOWABLE WK <sup>2</sup> Sec	COLD	HOT
<b>74.36</b>	<b>205</b>	<b>165</b>	<b>250</b>	<b>4.586</b>	<b>122</b>	<b>255</b>	<b>4.65</b>	<b>9.53</b>	<b>2</b>	<b>1</b>

APPROVED:	<b>K. Lo</b>	DRAWING NO.	<b>31057CDP0254</b>	REVISION:	<b>1</b>
-----------	--------------	-------------	---------------------	-----------	----------