

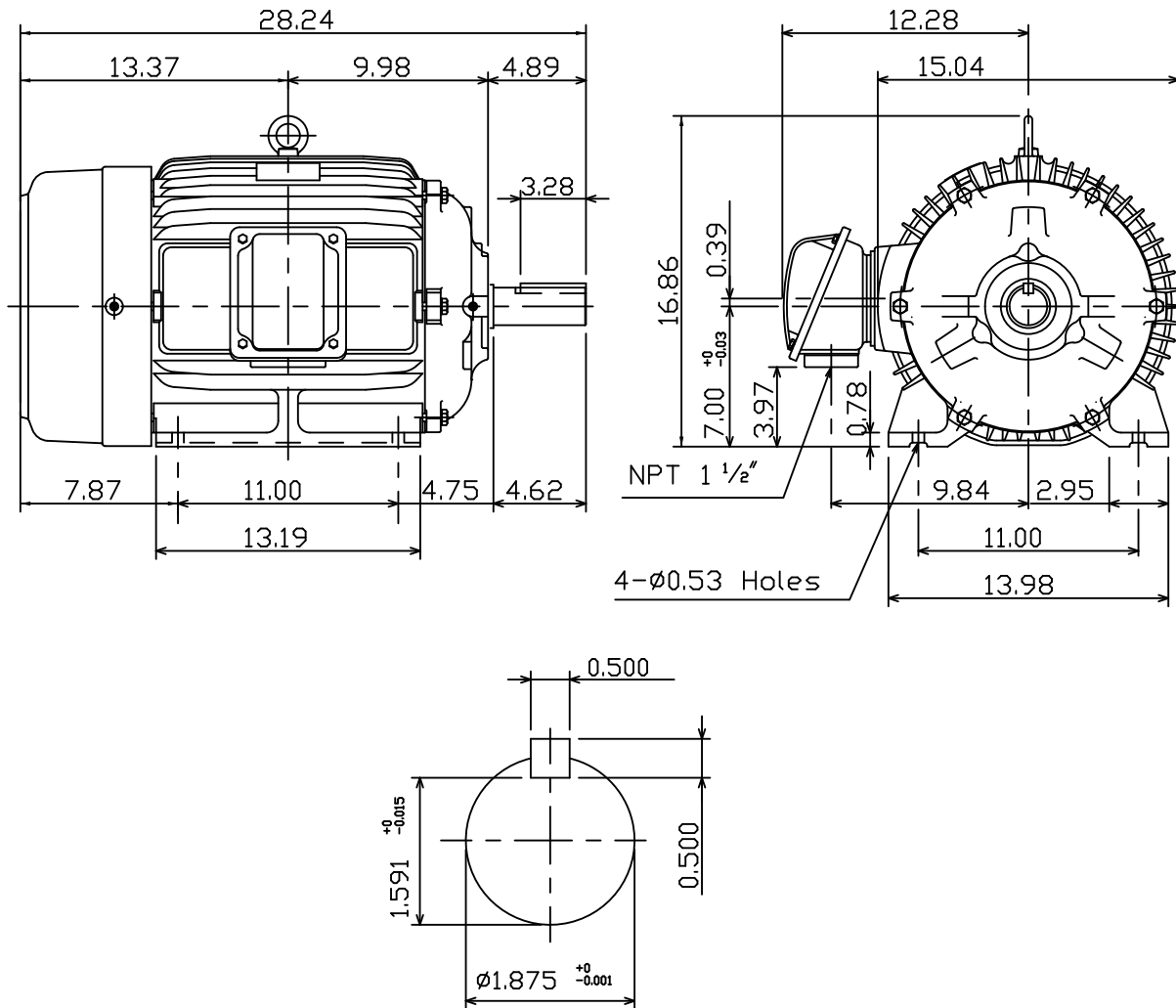
DATE: January 26, 2018  
 CATALOG NO. CDP0304

OUTLINE DIMENSIONS  
 3-PHASE INDUCTION MOTOR

MOTOR TYPE: AEHHGD  
 FRAME NO. 286T

Pole	HP	kW	Hz	VOLT	r/min
4	30	22.4	60	230/460	1800
Ins	Rating	Dimension in	Approx Weight	Bearings	
F	CONT.	inches	545 LBS.	DE: 6311ZZ	NDE: 6310ZZ

Totally Enclosed Fan-Cooled Type. Squirrel-cage Rotor.



NOTE:

1. ENCLOSURE: IP55
2. SHAFT MATERIAL: SCM440 Q&T (AISI 4140 EQUIV)
3. WITH THERMISTOR: PTC 140°C x 3PCS  
WIRED IN MAIN TERMINAL BOX



DWG. C.COOK 02-01-18



DWG NO.  
 31057M015110

# TECO Westinghouse

ISSUED <b>8/9/2018</b>	<b>PERFORMANCE DATA</b> <b>3-PHASE INDUCTION MOTOR</b>	ENCLOSURE <b>TEFC</b>
TYPE <b>AEHHGD</b>		CATALOG# <b>CDP0304</b>

### NAMEPLATE INFORMATION

OUTPUT		POLE	FRAME SIZE	VOLTAGE	HZ	RATED AMBIENT	INS. CLASS	NEMA DESIGN	TIME RATING	SERVICE FACTOR
HP	KW									
<b>30</b>	<b>22.4</b>	<b>4</b>	<b>286T</b>	<b>230/460</b>	<b>60</b>	<b>40°C</b>	<b>F</b>	<b>B</b>	<b>CONT.</b>	<b>1.15</b>

### VARIABLE FREQUENCY DRIVE SERVICE

VARIABLE TORQUE				OHMS/PHASE EQUIVALENT WYE CIRCUIT (AT RATED OPERATING TEMPERATURE 25°C)				
HZ	HP	RPM	TORQUE (lb-ft)	R1	R2	X1	X2	X <sub>m</sub>
<b>3-60</b>	<b>0.0038-30</b>	<b>90-1800</b>	<b>0.223-88.99</b>	<b>0.1043</b>	<b>0.205</b>	<b>0.6931</b>	<b>1.1081</b>	<b>32.734</b>

CONSTANT TORQUE				CONSTANT HORSEPOWER			
HZ	HP	RPM	TORQUE (lb-ft)	HZ	HP	RPM	TORQUE (lb-ft)
<b>6-60</b>	<b>3-30</b>	<b>180-1800</b>	<b>88.99</b>	<b>60-90</b>	<b>30</b>	<b>1800-2700</b>	<b>88.99-59.33</b>

### TYPICAL PERFORMANCE

FULL LOAD RPM	EFFICIENCY				POWER FACTOR			SOUND PRESSURE LEVEL @ 3 FT Db(A)
	FULL LOAD		3/4 LOAD %	1/2 LOAD %	FULL LOAD %	3/4 LOAD %	1/2 LOAD %	
	MIN.%	NOM.%						
<b>1770</b>	<b>92.4</b>	<b>93.6</b>	<b>93.6</b>	<b>93.6</b>	<b>87.5</b>	<b>85.5</b>	<b>79.5</b>	<b>70</b>

### CURRENTS

NO LOAD			FULL LOAD			LOCKED ROTOR			NEMA KVA CODE LETTER	SAFE STALL TIME IN SECONDS	
AT	AT	AT	AT	AT	AT	AT	AT	AT		COLD	HOT
208 VOLT	230 VOLT	460 VOLT	208 VOLT	230 VOLT	460 VOLT	208 VOLT	230 VOLT	460 VOLT	<b>G</b>	<b>25</b>	<b>18</b>
<b>16.90</b>	<b>17.50</b>	<b>8.75</b>	<b>75.80</b>	<b>68.60</b>	<b>34.30</b>	<b>394.3</b>	<b>436.0</b>	<b>218</b>			

TORQUE				INERTIA			ACCEL TIME (DOL)		ALLOWABLE STARTS PER HOUR	
FULL LOAD (lb-ft)	LOCKED ROTOR %FLT	PULL UP %FLT	BREAK DOWN %FLT	ROTOR WR <sup>2</sup> (lb-ft <sup>2</sup> )	NEMA LOAD WK <sup>2</sup> (lb-ft <sup>2</sup> )	MAX ALLOWABLE WK <sup>2</sup> (lb-ft <sup>2</sup> )	NEMA LOAD WK <sup>2</sup> Sec	MAX ALLOWABLE WK <sup>2</sup> Sec	COLD	HOT
<b>88.99</b>	<b>200</b>	<b>160</b>	<b>235</b>	<b>5.274</b>	<b>144</b>	<b>328</b>	<b>4.80</b>	<b>10.72</b>	<b>2</b>	<b>1</b>

APPROVED:	<b>M. PRATER</b>	DRAWING NO.	<b>31057CDP0304</b>	REVISION:	<b>1</b>
-----------	------------------	-------------	---------------------	-----------	----------

DATE  
7-26-15

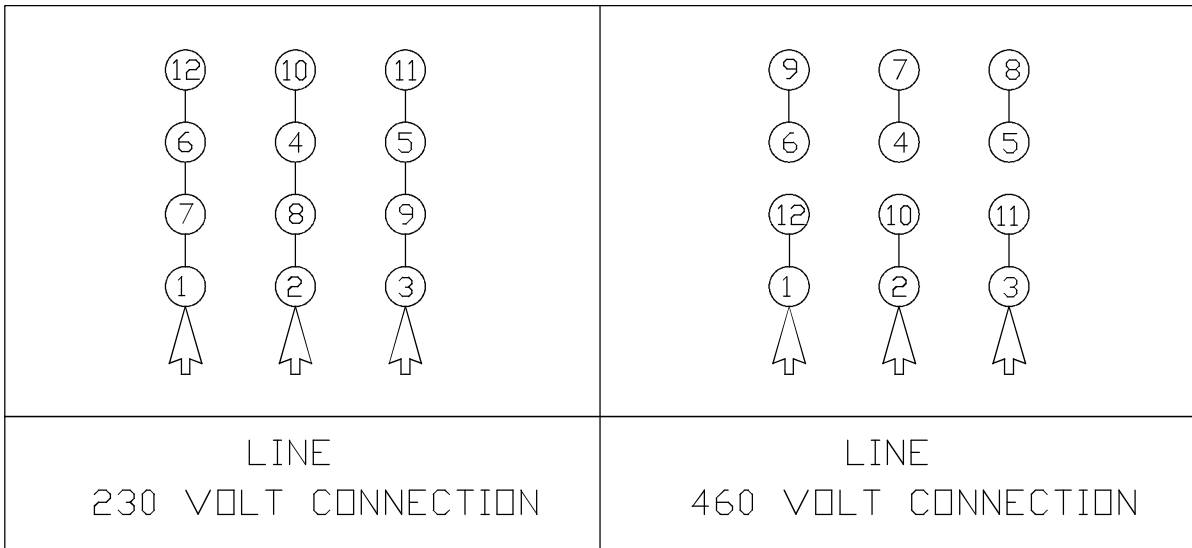
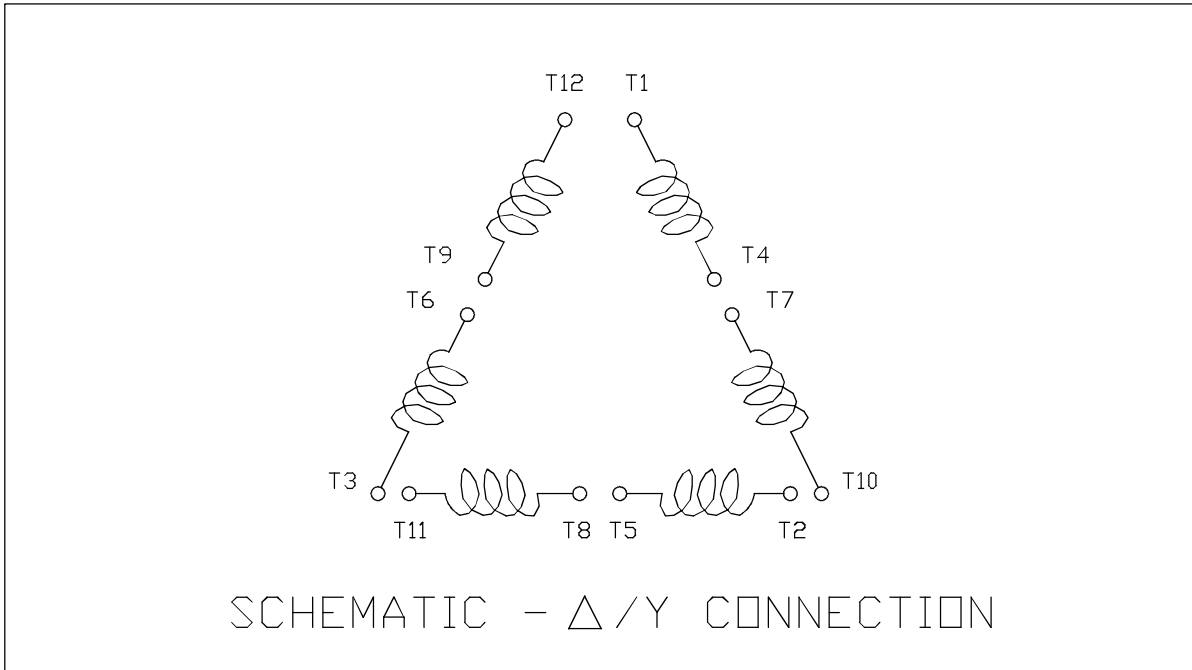
TWMC

CONNECTION DIAGRAM

12 LEAD MOTOR

MODEL  
AEEAGD

CATALOG NO.  
CDP0304



NOTES:

1. SUITABLE FOR WYE START-DELTA RUN CONNECTION
2. CALL TWMC IF YOU HAVE ANY QUESTIONS REGARDING MOTOR CONNECTION
3. CALL OUR CUSTOMER SERVICE LINE: 1-800-USE-TECO (1-800-873-8326)

DWN.	C. RAM	JULY • 26 • 2015
CHKD.		
APPD.		



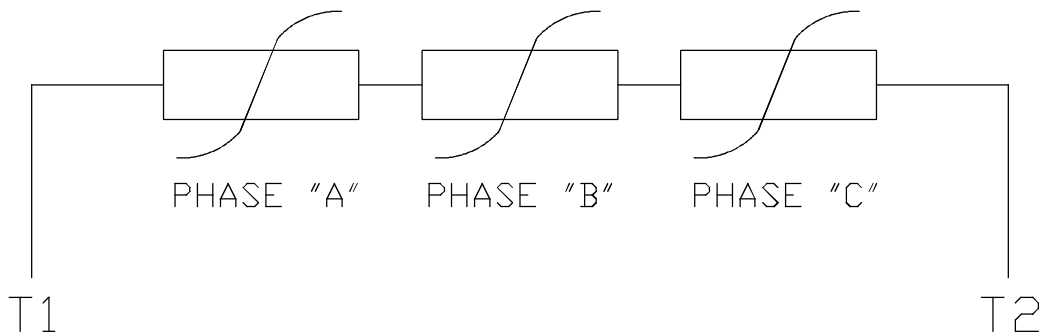
DWG NO. REV: 00

DAC-1565-W

DATE  
7-23-15

SCHMATIC DRAWING  
THERMISTOR WIRING DIAGRAM

MODEL  
AEEAGD



NOTES:

1. PTC THERMISTORS
2. NORMALLY CLOSED RATED AT 140°C
3. 1 PER PHASE (3 PIECES)

DWN.	C. RAM	JULY•23•2015
CHKD.		
APPD.		



DWG NO. REV: 00  
3A061H531W