

DATE: January 26, 2018
 CATALOG NO. CDP0408

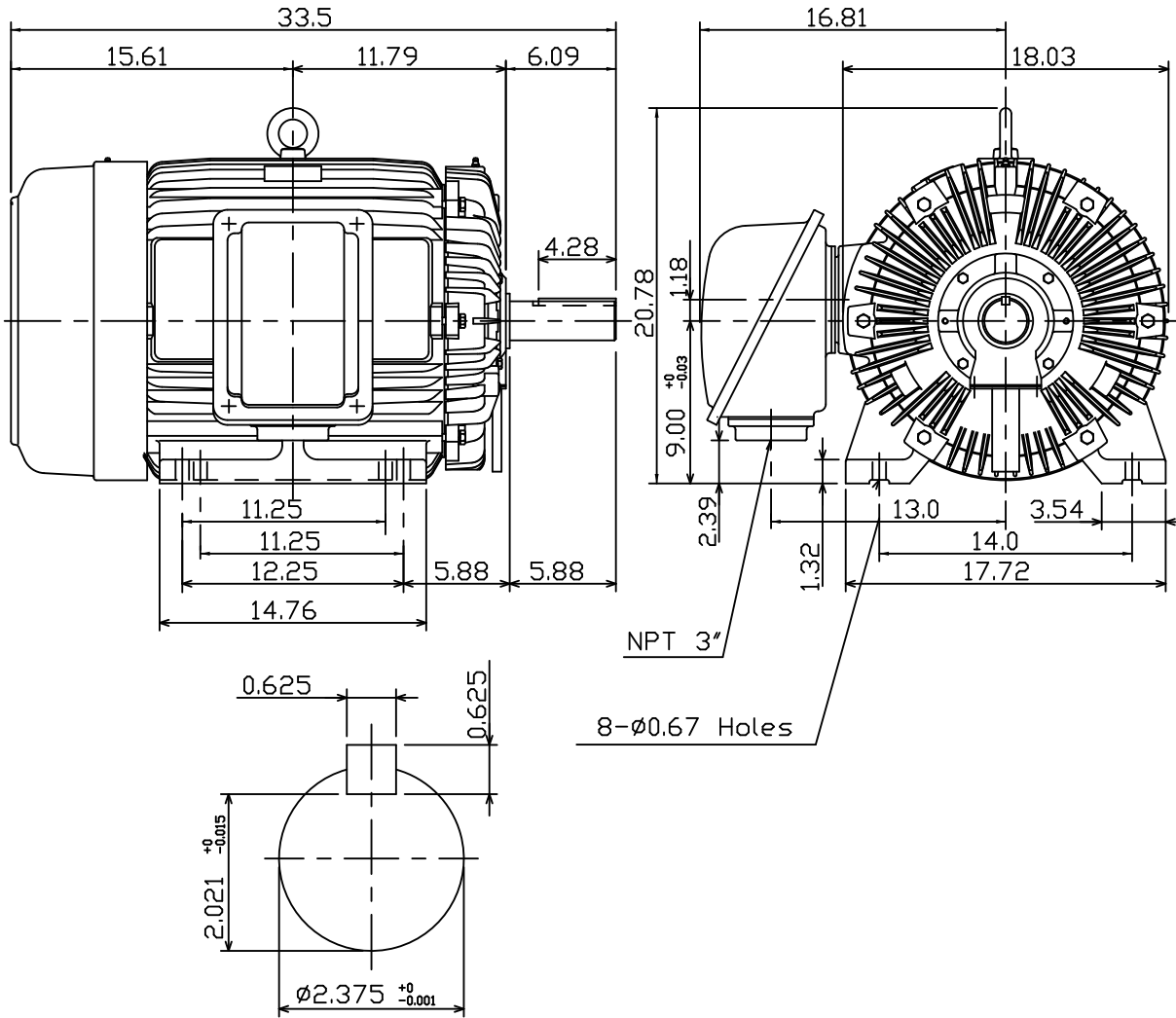
OUTLINE DIMENSIONS
 3-PHASE INDUCTION MOTOR

MOTOR TYPE: AEHHGD
 FRAME NO. 365T

| Pole | HP | kW | Hz | VOLT | r/min |
|------|----|------|----|---------|-------|
| 8 | 40 | 29.8 | 60 | 230/460 | 900 |

| Ins | Rating | Dimension in | Approx Weight | Bearings |
|-----|--------|--------------|---------------|--------------------|
| F | CONT. | inches | 807 LBS. | DE: 6313 NDE: 6213 |

Totally Enclosed Fan-Cooled Type. Squirrel-Cage Rotor.



NOTE:

1. ENCLOSURE: IP55
2. SHAFT MATERIAL: SCM440 Q&T (AISI 4140 EQUIV)
3. WITH THERMISTOR: PTC 140°C x 3PCS
WIRED IN MAIN TERMINAL BOX

| | | | |
|---|--|--|--|
| ◇ | | | |
|---|--|--|--|

| | | |
|------|--------|----------|
| DWG. | | |
| DWG. | C.COOK | 02-01-18 |



DWG NO.
 31049J361680

TECO Westinghouse

| | | |
|---------------------------------|--------------------------------|----------------------------|
| ISSUED March 15, 2019 | PERFORMANCE DATA | ENCLOSURE TEFC |
| TYPE AEHHGD | 3-PHASE INDUCTION MOTOR | CATALOG# CDP0408 |

NAMEPLATE INFORMATION

| OUTPUT | | POLE | FRAME SIZE | VOLTAGE | HZ | RATED AMBIENT | INS. CLASS | NEMA DESIGN | TIME RATING | SERVICE FACTOR |
|-----------|-------------|----------|-------------|----------------|-----------|---------------|------------|-------------|--------------|----------------|
| HP | KW | | | | | | | | | |
| 40 | 29.8 | 8 | 256T | 230/460 | 60 | 40°C | F | B | CONT. | 1.15 |

TYPICAL PERFORMANCE

| FULL LOAD RPM | EFFICIENCY | | | | POWER FACTOR | | | MAXIMUM POWER FACTOR CORRECTION |
|---------------|-------------|-----------|------------|-------------|--------------|------------|------------|---------------------------------|
| | FULL LOAD | | 3/4 LOAD % | 1/2 LOAD % | F. L. % | 3/4 LOAD % | 1/2 LOAD % | |
| | MIN. % | NOM. % | | | | | | |
| 885 | 91.7 | 93 | 93 | 92.4 | 78 | 73 | 62 | 39 KVAR |

CURRENTS

| NO LOAD | | FULL LOAD | | LOCKED ROTOR | | NEMA KVA CODE LETTER |
|--------------|-------------|---------------|-------------|---------------|------------|----------------------|
| AT | AT | AT | AT | AT | AT | |
| 230 VOLT | 460 VOLT | 230 VOLT | 460 VOLT | 230 VOLT | 460 VOLT | |
| 48.60 | 24.3 | 103.20 | 51.6 | 580.00 | 290 | G |

TORQUE

INERTIA

ACCEL TIME

| FULL LOAD lb-ft | LOCKED ROTOR %FLT | PULL UP %FLT | BREAK DOWN %FLT | ROTOR WR ² lb-ft ² | NEMA LOAD WK ² lb-ft ² | MAX ALLOWABLE WK ² lb-ft ² | NEMA LOAD WK ² Sec | MAX ALLOWABLE WK ² Sec |
|-----------------|-------------------|--------------|-----------------|--|--|--|-------------------------------|-----------------------------------|
| 237.3 | 210 | 160 | 230 | 19.32 | 208 | 443 | 1.36 | 2.78 |

SAFE STALL TIME IN SECONDS

ALLOWABLE STARTS PER HOUR

SOUND PRESSURE LEVEL @ 3 FT dB(A)

| COLD | HOT | COLD | HOT | 58 |
|-----------|-----------|----------|----------|----|
| 37 | 26 | 2 | 1 | |

| | | | | |
|-----------|------------------|-------------|---------------------|-------------------|
| APPROVED: | M. PRATER | DRAWING NO. | 31057CDP0408 | REVISION 0 |
|-----------|------------------|-------------|---------------------|-------------------|

DATE
7-26-15

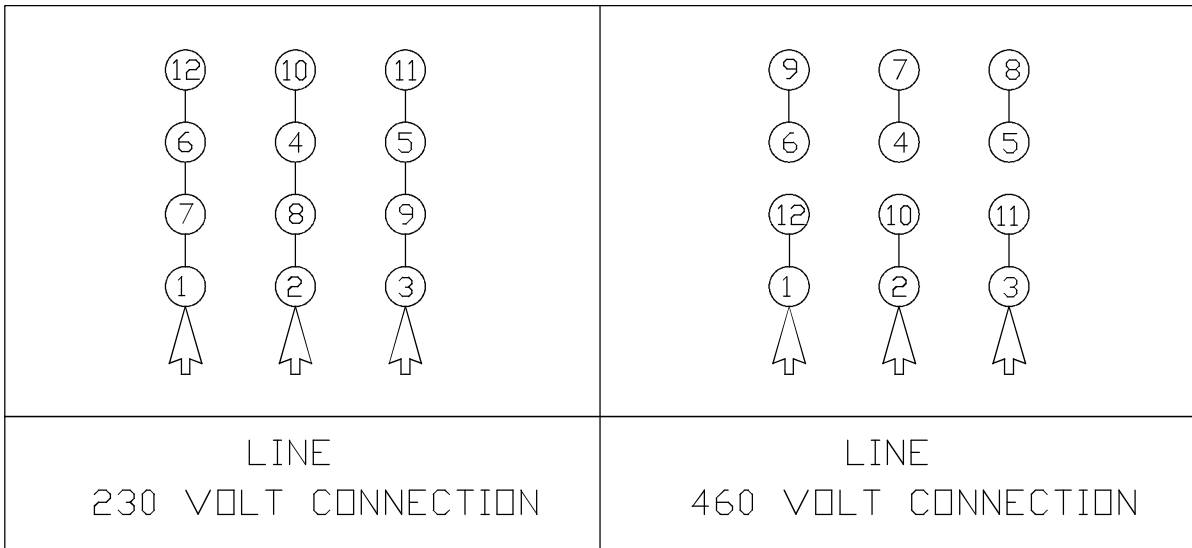
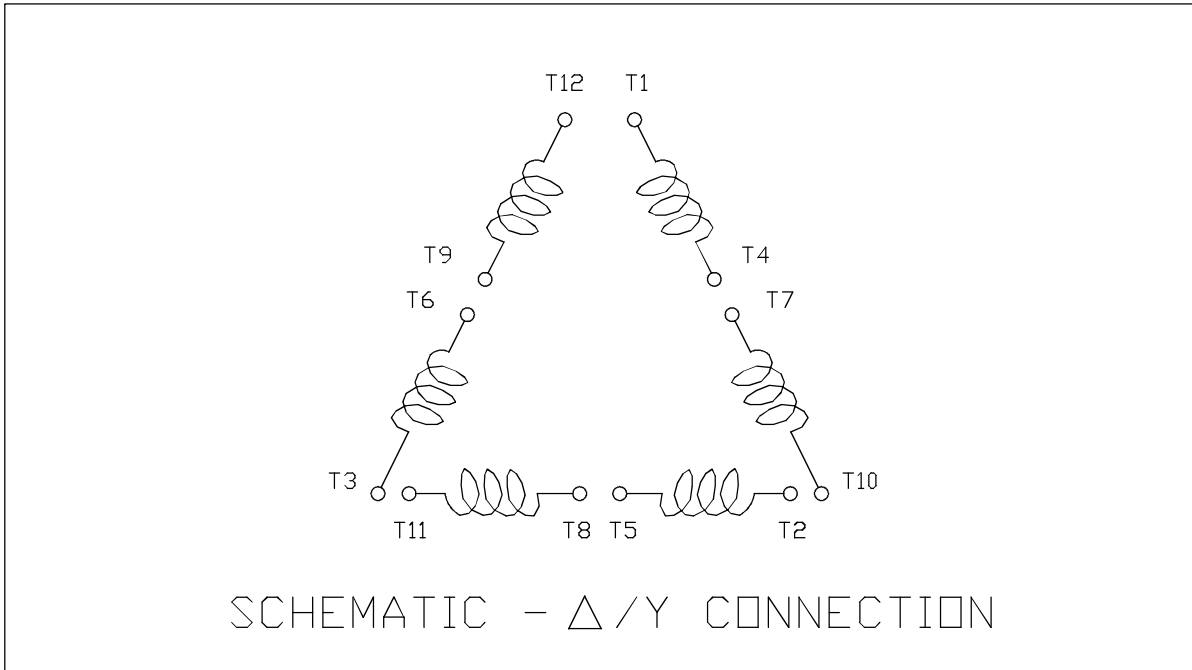
TWMC

CONNECTION DIAGRAM

12 LEAD MOTOR

MODEL
AEEAGD

CATALOG NO.
CDP0408



NOTES:

1. SUITABLE FOR WYE START-DELTA RUN CONNECTION
2. CALL TWMC IF YOU HAVE ANY QUESTIONS REGARDING MOTOR CONNECTION
3. CALL OUR CUSTOMER SERVICE LINE: 1-800-USE-TECO (1-800-873-8326)

| | | |
|-------|--------|--------------|
| DWN. | C. RAM | JULY•26•2015 |
| CHKD. | | |
| APPD. | | |



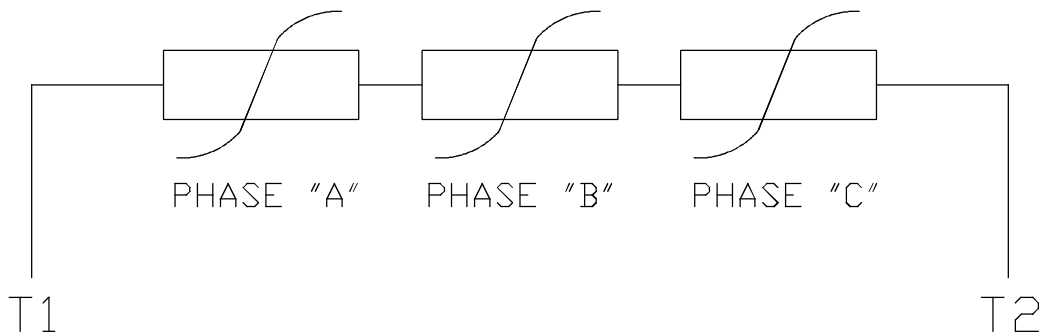
DWG NO. REV: 00

DAC-1565-W

DATE
7-23-15

SCHMATIC DRAWING
THERMISTOR WIRING DIAGRAM

MODEL
AEEAGD



NOTES:

1. PTC THERMISTORS
2. NORMALLY CLOSED RATED AT 140°C
3. 1 PER PHASE (3 PIECES)

| | | |
|-------|--------|--------------|
| DWN. | C. RAM | JULY•23•2015 |
| CHKD. | | |
| APPD. | | |



DWG NO. REV: 00
3A061H531W