

DATE: January 26, 2018
 CATALOG NO. CDP0408

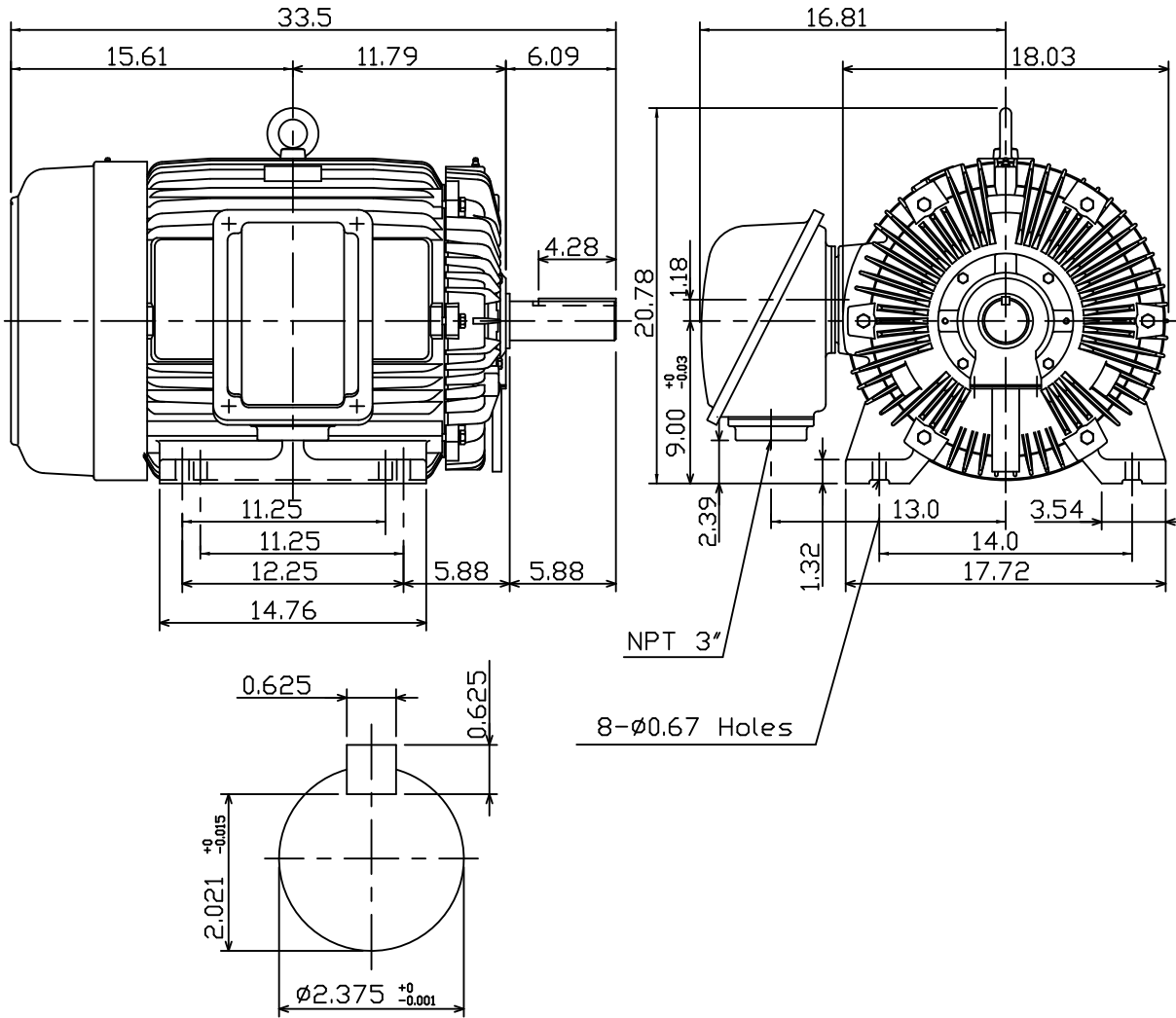
OUTLINE DIMENSIONS
 3-PHASE INDUCTION MOTOR

MOTOR TYPE: AEHHGD
 FRAME NO. 365T

Pole	HP	kW	Hz	VOLT	r/min
8	40	29.8	60	230/460	900

Ins	Rating	Dimension in	Approx Weight	Bearings
F	CONT.	inches	807 LBS.	DE: 6313 NDE: NU213

Totally Enclosed Fan-Cooled Type. Squirrel-Cage Rotor.



NOTE:

1. ENCLOSURE: IP55
2. SHAFT MATERIAL: SCM440 Q&T (AISI 4140 EQUIV)
3. WITH THERMISTOR: PTC 140°C × 3PCS
WIRED IN MAIN TERMINAL BOX

◇			
---	--	--	--

DWG.		
DWG.	C.COOK	02-01-18



DWG NO.
 31049J361680

TECO Westinghouse

ISSUED March 15, 2019	PERFORMANCE DATA	ENCLOSURE TEFC
TYPE AEHHGD	3-PHASE INDUCTION MOTOR	CATALOG# CDP0408R

NAMEPLATE INFORMATION

OUTPUT		POLE	FRAME SIZE	VOLTAGE	HZ	RATED AMBIENT	INS. CLASS	NEMA DESIGN	TIME RATING	SERVICE FACTOR
HP	KW									
40	29.8	8	256T	230/460	60	40°C	F	B	CONT.	1.15

TYPICAL PERFORMANCE

FULL LOAD RPM	EFFICIENCY				POWER FACTOR			MAXIMUM POWER FACTOR CORRECTION
	FULL LOAD		3/4 LOAD %	1/2 LOAD %	F. L. %	3/4 LOAD %	1/2 LOAD %	
	MIN. %	NOM. %						
885	91.7	93	93	92.4	78	73	62	39 KVAR

CURRENTS

NO LOAD		FULL LOAD		LOCKED ROTOR		NEMA KVA CODE LETTER
AT	AT	AT	AT	AT	AT	
230 VOLT	460 VOLT	230 VOLT	460 VOLT	230 VOLT	460 VOLT	
48.60	24.3	103.20	51.6	580.00	290	G

TORQUE

INERTIA

ACCEL TIME

FULL LOAD lb-ft	LOCKED ROTOR %FLT	PULL UP %FLT	BREAK DOWN %FLT	ROTOR WR ² lb-ft ²	NEMA LOAD WK ² lb-ft ²	MAX ALLOWABLE WK ² lb-ft ²	NEMA LOAD WK ² Sec	MAX ALLOWABLE WK ² Sec
237.3	210	160	230	19.32	208	443	1.36	2.78

SAFE STALL TIME IN SECONDS

ALLOWABLE STARTS PER HOUR

SOUND PRESSURE LEVEL @ 3 FT dB(A)

COLD	HOT	COLD	HOT	58
37	26	2	1	

APPROVED:	M. PRATER	DRAWING NO.	31057CDP0408R	REVISION 0
-----------	------------------	-------------	----------------------	-------------------

DATE:
December 28, 2010

CONNECTION DIAGRAM

CATALOG NO.:
CDP0408



SCHEMATIC - Δ / Y CONNECTION

ACROSS THE LINE CONNECTION



LINE
230 VOLT CONNECTION



LINE
460 VOLT CONNECTION

***CONTACT TWMC IF YOU HAVE ANY QUESTIONS
REGARDING THE MOTOR CONNECTION.**

PH: 1-800-873-8326