

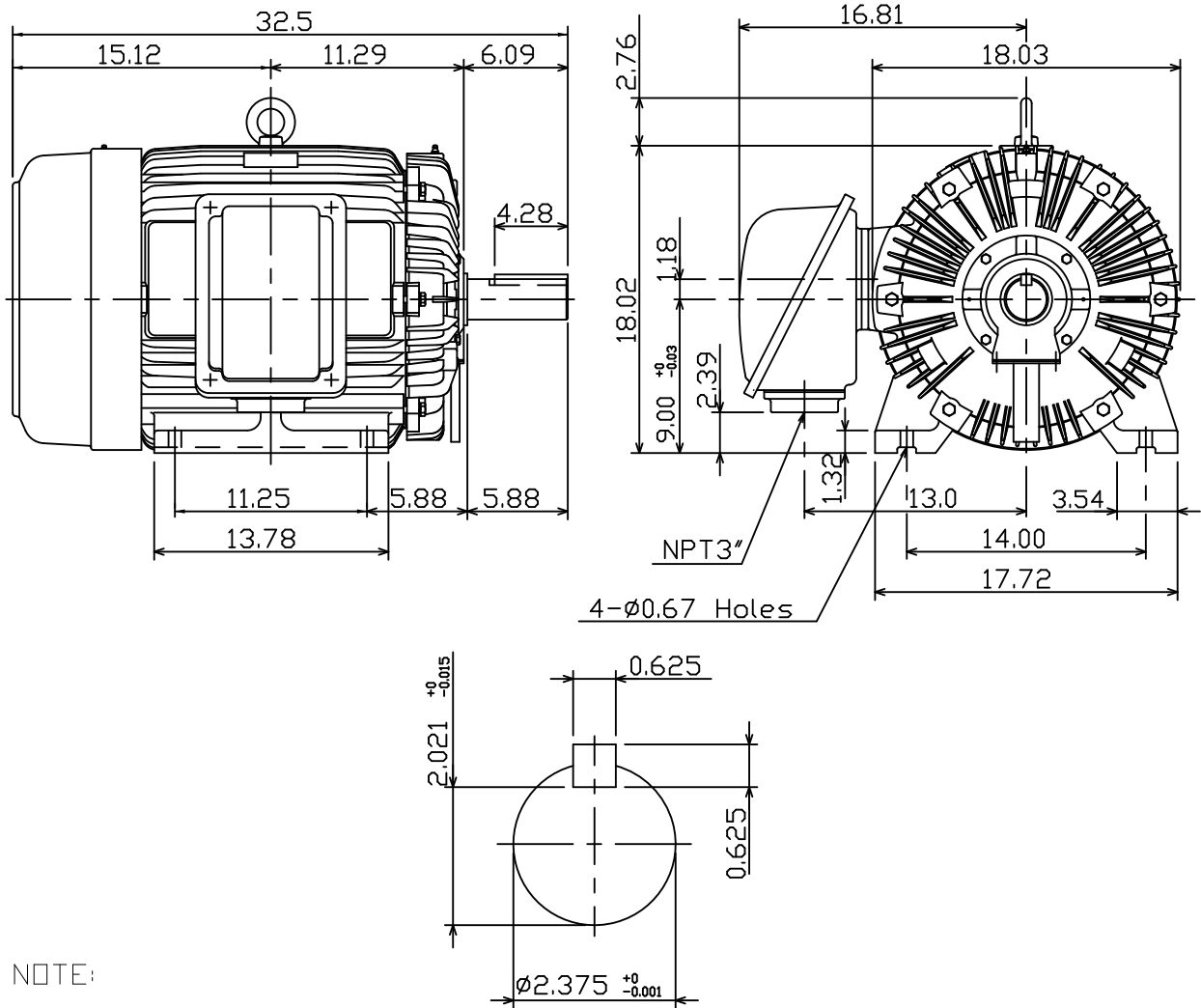
DATE: January 26, 2018
 CATALOG NO. CDP0604

OUTLINE DIMENSIONS
 3-PHASE INDUCTION MOTOR

MOTOR TYPE: AEHHGD
 FRAME NO. 364T

Pole	HP	kW	Hz	VOLT	r/min
4	60	44.8	60	230/460	1800
Ins	Rating	Dimension in	Approx Weight	Bearings	
F	CONT.	inches	870 LBS.	DE: 6313	NDE: 6213

Totally Enclosed Fan-Cooled Type. Squirrel-Cage Rotor.



NOTE:

1. ENCLOSURE: IP55
2. SHAFT MATERIAL: SCM440 Q&T (AISI 4140 EQUIV)
3. WITH THERMISTOR: PTC 140°C x 3PCS
WIRED IN MAIN TERMINAL BOX



DWG.	C.COOK	02-01-18
------	--------	----------



DWG NO.
 31057H913530

ISSUED 1-Apr-16	PERFORMANCE DATA 3-PHASE SQUIRREL CAGE HIGH EFFICIENCY INDUCTION MOTORS	MODEL AEHHGD
REVISED 13-Feb-17		



ee C C 0 0 2 A

TEFC, NEMA T-FRAME, DESIGN - C,
CLASS F, 40°C AMBIENT, CONTINUOUS DUTY,
S.F. 1.15 460V 60Hz

TYPICAL PERFORMANCE (460 V)

OUTPUT		POLE	FULL LOAD RPM	FRAME SIZE	EFFICIENCY(%)				POWER FACTOR(%)			CURRENT			TORQUE				ROTOR WK ² lb-ft ²	NEMA CODE LETTER
					FULL LOAD		3/4 LOAD	1/2 LOAD	FULL LOAD	3/4 LOAD	1/2 LOAD	FULL LOAD	208V USABLE	LOCKED ROTOR	FULL LOAD	LOCKED ROTOR	PULL UP	BREAK DOWN		
					NOM.	MIN.	NOM.	NOM.	(A)	ON-A	(A)	lb-ft	%FLT	%FLT	%FLT					
60	45	4	1775	364T	95.0	94.1	95.0	94.5	86.5	83.0	75.5	68	151	435	177.5	200	155	240	12.23	G
		6	1180	404T	94.5	93.6	94.5	94.1	87.0	86.5	80.5	68	151	435	267.0	220	185	250	33.54	G
		8	885	405T	93.0	91.7	93.6	93.6	81.0	78.0	68.0	75	165	435	356.0	200	180	230	32.55	G
75	55	4	1775	365T	95.4	94.5	95.4	95.0	86.5	83.5	75.5	85	188	543	221.9	200	165	250	14.67	G
		6	1180	405T	94.5	93.6	94.5	94.5	86.5	84.5	79.0	86	190	543	333.7	200	175	225	37.86	G
		8	890	444T	93.6	92.4	93.0	93.0	73.0	68.0	57.0	103	227	543	442.5	210	180	210	55.10	G
100	75	4	1775	405T	95.4	94.5	95.4	95.0	87.5	85.5	80.0	112	248	725	295.8	215	140	215	26.64	G
		6	1181	444T	95.0	94.1	94.5	93.6	82.5	80.0	73.0	119	264	725	444.6	200	150	240	56.00	G
		8	890	445T	93.6	92.4	93.0	93.0	78.0	74.0	65.0	128	284	725	589.9	230	180	250	72.80	G
125	90	4	1780	444T	95.4	94.5	95.0	94.1	85.0	83.0	77.0	144	319	908	368.7	200	140	220	44.30	G
		6	1182	445T	95.0	94.1	94.5	93.6	83.0	80.5	74.0	148	328	908	555.3	200	140	230	68.00	G
		8	890	447T	94.1	93.0	94.1	94.1	80.0	77.0	69.0	155	344	908	737.4	220	160	260	141.0	G
150	110	4	1783	445T	95.8	95.0	95.4	94.5	85.0	83.0	78.0	172	--	1085	441.7	210	160	270	52.00	G
		6	1185	447T	95.8	95.0	95.4	94.5	83.5	81.0	74.0	176	--	1085	664.6	200	160	220	103.0	G
		8	890	449T	94.1	93.0	94.1	94.1	80.0	77.0	69.0	187	--	1085	884.9	220	160	250	166.0	G
200	150	4	1785	447T	95.4	94.5	95.8	95.0	87.0	83.5	78.5	226	--	1450	588.3	200	140	210	73.50	G
		6	1186	449T	95.8	95.0	95.4	94.5	84.0	81.0	74.0	233	--	1450	885.4	200	140	210	125.0	G
		8	890	449T	94.5	93.6	94.1	94.1	82.5	77.0	69.0	240	--	1450	1180	200	160	230	221.0	G

- NOTE :
1. The above are typical values based on test according to ANSI/IEEE standard 112 method B.
 2. Breakdown & locked rotor torques are shown as average expected values.
 3. Efficiency, power factor, speed and torque are the same for other voltages.
Current values vary inversely with voltage.
 4. Tolerance according to NEMA MG1-12 & IEC 60034-1.
 5. Data subject to change without notice.

APPD.	Liau-Shin Hung	21-Feb-17	TECO Electric & Machinery Co., Ltd.	DWG. NO.	31057D62114
CHKD.	Ho-Miuy Te	22-Feb-17		REV. 04	
DWN.	Davis Ting	13-Feb-17		2/6	

DATE
7-26-15

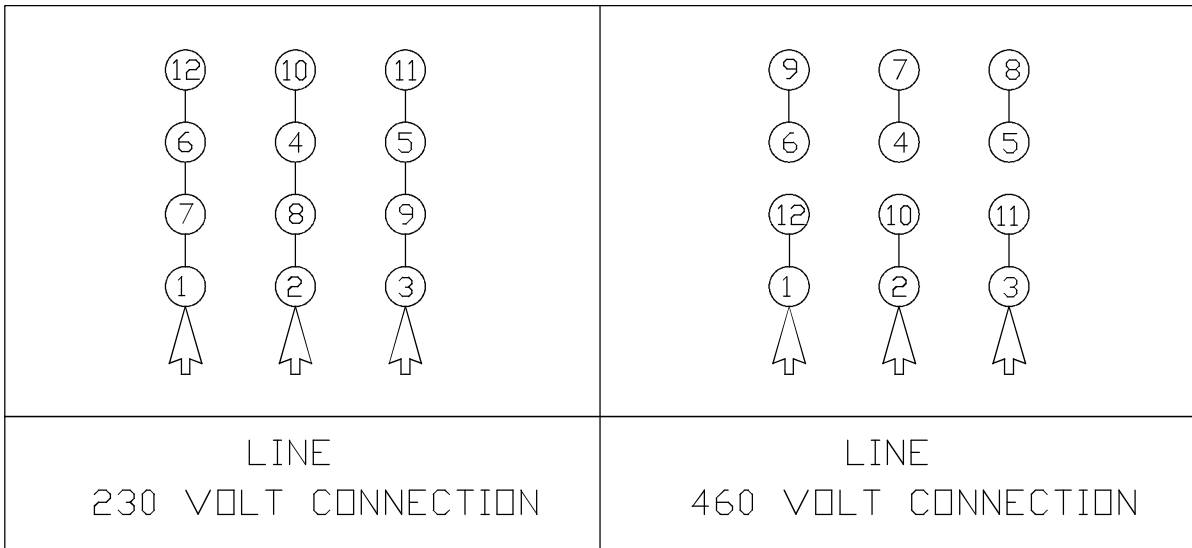
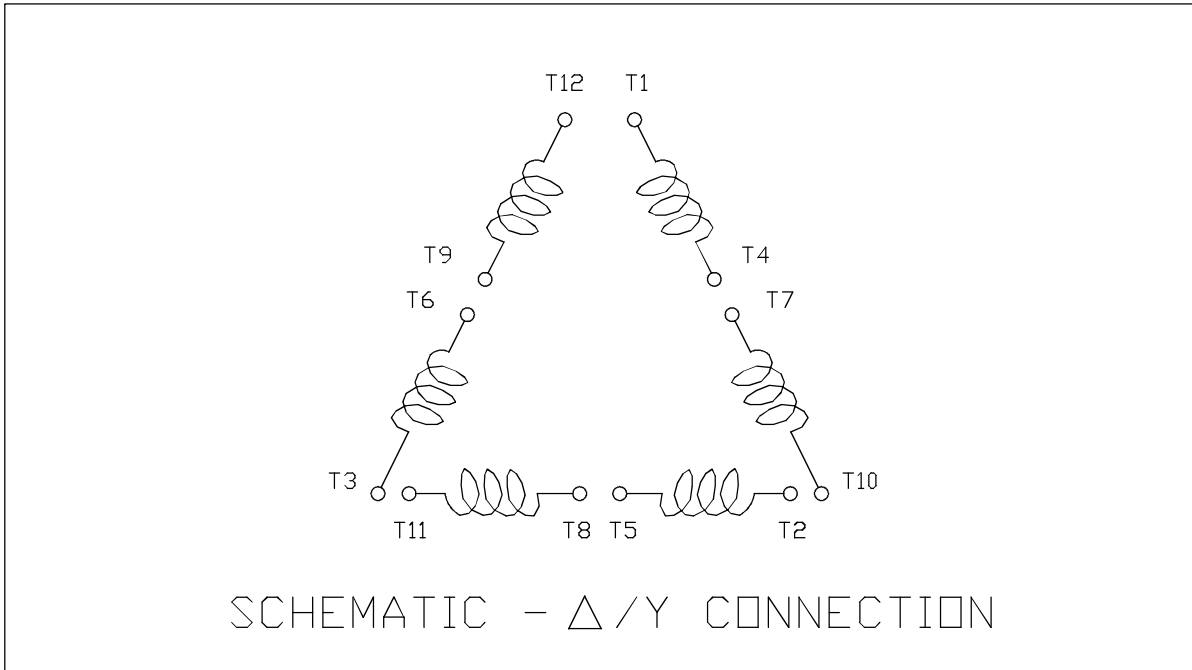
TWMC

CONNECTION DIAGRAM

12 LEAD MOTOR

MODEL
AEEAGD

CATALOG NO.
CDP0604



NOTES:

1. SUITABLE FOR WYE START-DELTA RUN CONNECTION
2. CALL TWMC IF YOU HAVE ANY QUESTIONS REGARDING MOTOR CONNECTION
3. CALL OUR CUSTOMER SERVICE LINE: 1-800-USE-TECO (1-800-873-8326)

DWN.	C. RAM	JULY • 26 • 2015
CHKD.		
APPD.		



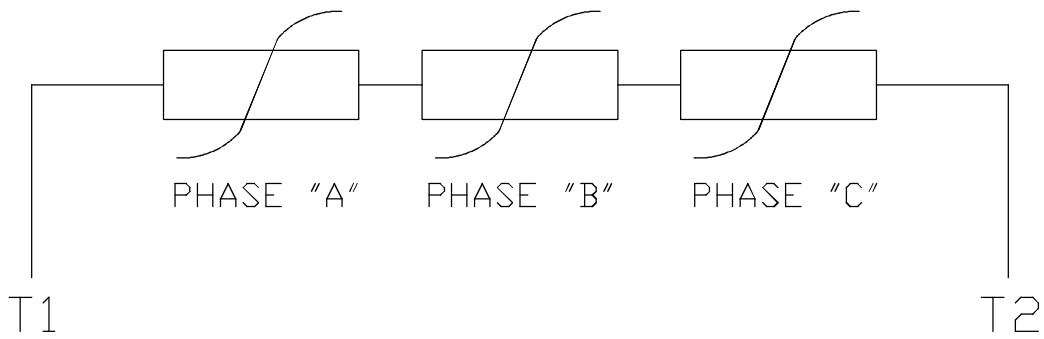
DWG NO. REV: 00

DAC-1565-W

DATE
7-23-15

SCHMATIC DRAWING
THERMISTOR WIRING DIAGRAM

MODEL
AEEAGD
CDP0604



NOTES:

1. PTC THERMISTORS
2. NORMALLY CLOSED RATED AT 140°C
3. 1 PER PHASE (3 PIECES)

DWN.	C. RAM	JULY•23•2015
CHKD.		
APPD.		



DWG NO. REV: 00
3A061H531W