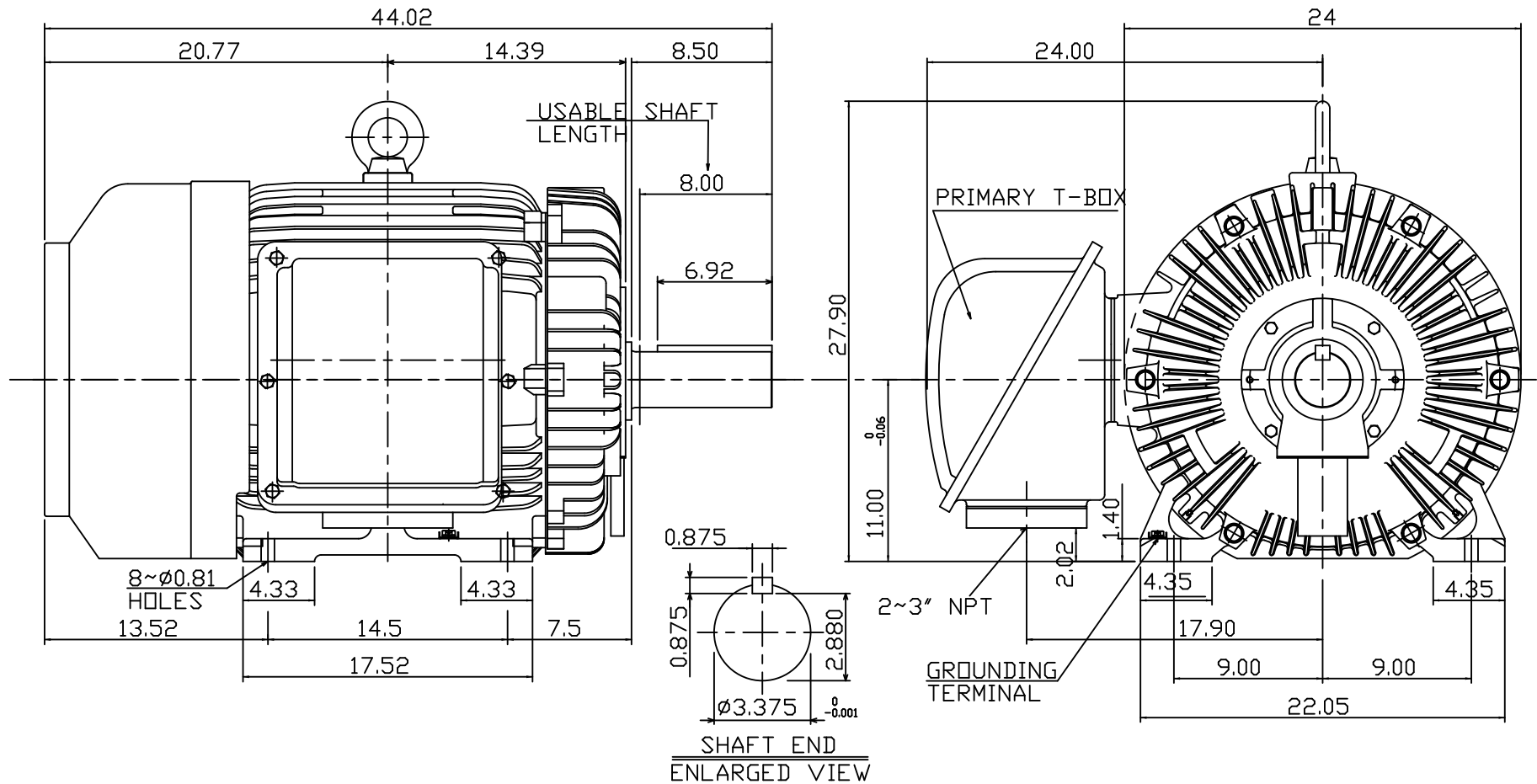


POLE	HP	kW	Hz	VOLT	r/min(RPM)	INS	RATING	DIMENSION IN	APPROX WEIGHT	BEARINGS
6	100	74.6	60	230/460	1200	F	CONT.	INCHS	1665 LBS.	DE: 6318 NDE: 6316



- NOTE:
1. DIMENSIONS IN INCHES
 2. FRAME NO. 444T
 3. F CLASS INSULATION, S.F.1.15
 4. FOR DIRECT COUPLING
 5. ENCLOSURE: IP55
 6. WITH THERMISTOR: PTC 140°C 3PCS
 7. SHAFT MATERIAL: SCM440 Q&T (AISI 4140 EQUIV)
 8. CORROSION PROOF

OUTLINE DIMENSIONS 3-PHASE INDUCTION MOTOR			
MOTOR TYPE	AEHHGD	FRAME NO.	EH-444T
CATALOG NO.	CDP1006	DATE	02-01-2018

DWG. C.COOK 02-01-18					DWG NO. 31057G001880
----------------------	--	--	--	--	-------------------------

TECO Westinghouse

ISSUED 6/13/2019	PERFORMANCE DATA 3-PHASE INDUCTION MOTOR	ENCLOSURE TEFC
TYPE AEHHGD		CATALOG# CDP1006

NAMEPLATE INFORMATION

OUTPUT		POLE	FRAME SIZE	VOLTAGE	HZ	RATED AMBIENT	INS. CLASS	NEMA DESIGN	TIME RATING	SERVICE FACTOR
HP	KW									
100	74.6	6	444T	230/460	60	40°C	F	C	CONT.	1.15

VARIABLE FREQUENCY DRIVE SERVICE

VARIABLE TORQUE				OHMS/PHASE EQUIVALENT WYE CIRCUIT (AT RATED OPERATING TEMPERATURE 25°C)				
HZ	HP	RPM	TORQUE (lb-ft)	R1	R2	X1	X2	X _m
3~60	0.0125~100	60~1200	1.09~444	0.0778	0.0497	0.5102	0.978	16.2

CONSTANT TORQUE				CONSTANT HORSEPOWER			
HZ	HP	RPM	TORQUE (lb-ft)	HZ	HP	RPM	TORQUE (lb-ft)
6~60	10~100	118~1200	444	60~90	100	1200~1800	444~296

TYPICAL PERFORMANCE

FULL LOAD RPM	EFFICIENCY				POWER FACTOR			SOUND PRESSURE LEVEL @ 3 FT Db(A)
	FULL LOAD		3/4 LOAD %	1/2 LOAD %	FULL LOAD %	3/4 LOAD %	1/2 LOAD %	
	MIN.%	NOM.%						
1181	94.1	95	94.5	93.6	82.5	80	73	77

CURRENTS						NEMA KVA CODE LETTER	SAFE STALL TIME IN SECONDS	
NO LOAD		FULL LOAD		LOCKED ROTOR			COLD	HOT
AT 230 VOLT	AT 460 VOLT	AT 230 VOLT	AT 460 VOLT	AT 230 VOLT	AT 460 VOLT			
88.2	44.1	238.9	119.5	1450.0	725.0	G	20	15

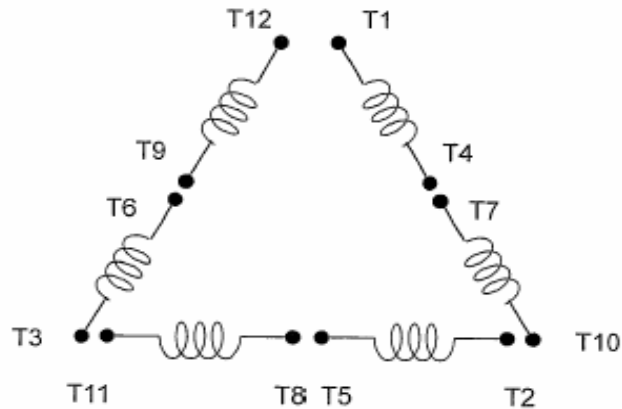
TORQUE				INERTIA			ACCEL TIME (DOL)		ALLOWABLE STARTS PER HOUR	
FULL LOAD (lb-ft)	LOCKED ROTOR %FLT	PULL UP %FLT	BREAK DOWN %FLT	ROTOR WR ² (lb-ft ²)	NEMA LOAD WK ² (lb-ft ²)	MAX ALLOWABLE WK ² (lb-ft ²)	NEMA LOAD WK ² Sec	MAX ALLOWABLE WK ² Sec	COLD	HOT
444.58	200	150	240	56	1180	2953	5.24	12.76	2	1

APPROVED:	K. Lo	DRAWING NO.	31057CDP1006	REVISION:	1
-----------	--------------	-------------	---------------------	-----------	----------

DATE:
December 28, 2010

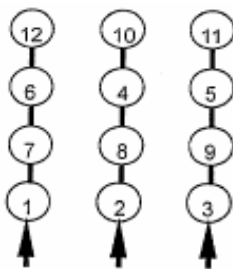
CONNECTION DIAGRAM

CATALOG NO.:
CDP1006



SCHEMATIC - Δ / Y CONNECTION

ACROSS THE LINE CONNECTION



LINE
230 VOLT CONNECTION



LINE
460 VOLT CONNECTION

***CONTACT TWMC IF YOU HAVE ANY QUESTIONS
REGARDING THE MOTOR CONNECTION.**

PH: 1-800-873-8326