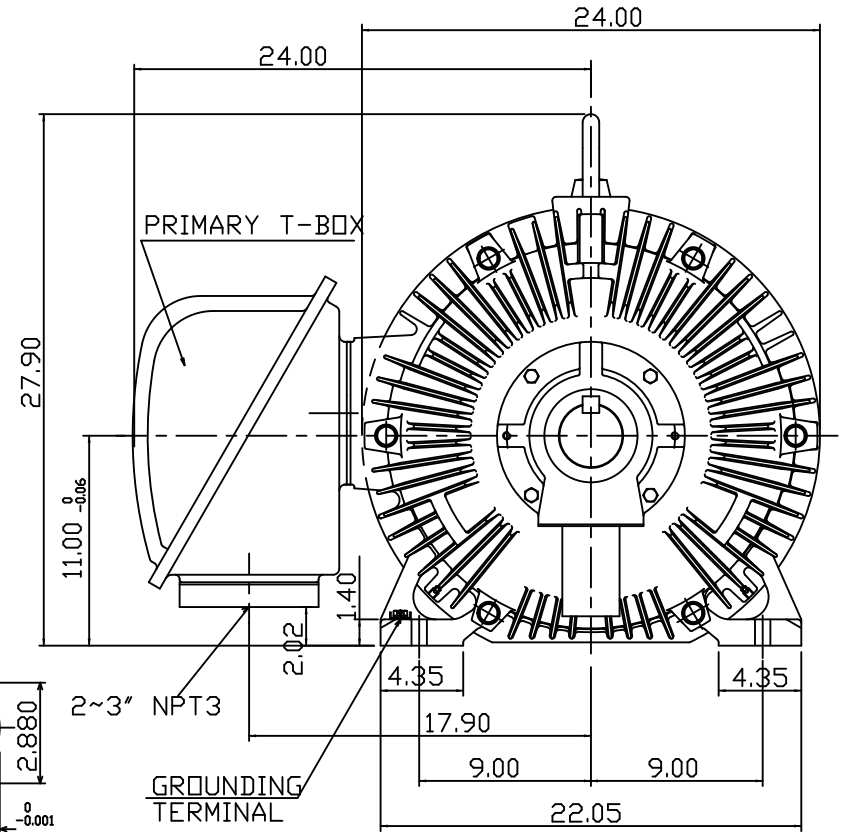
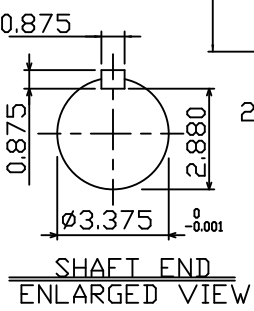
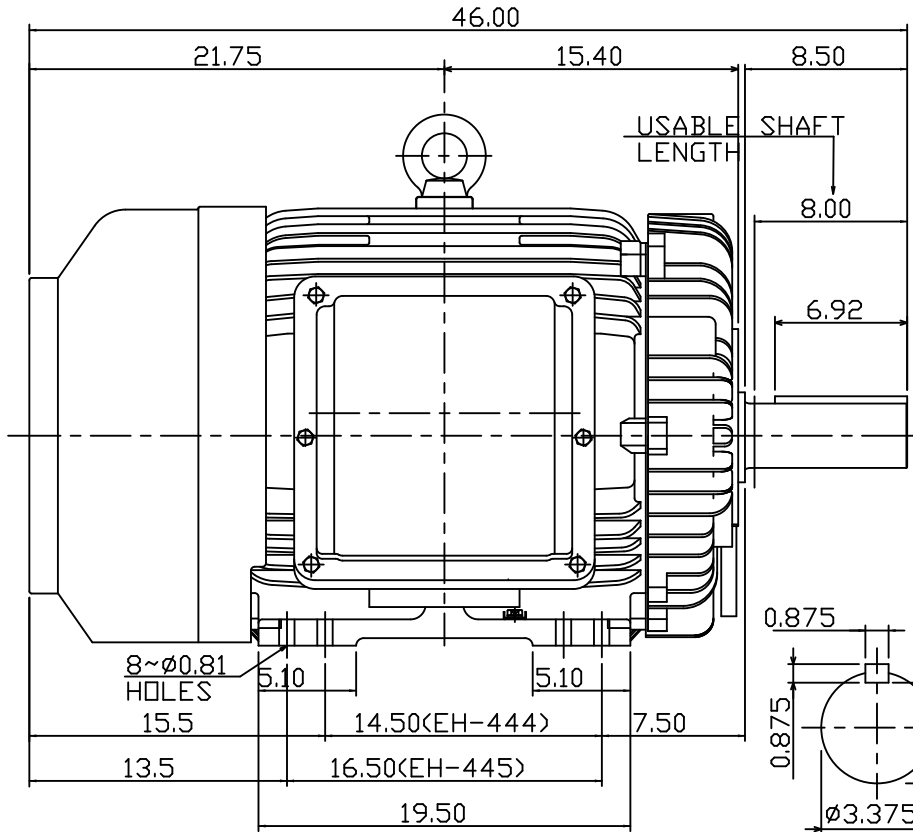


11 10 9 8 7 6 5 4 3 2 1

POLE	HP	kW	Hz	VOLT	r/min(RPM)	INS	RATING	DIMENSION IN	APPROX WEIGHT	BEARINGS
6	125	93.3	60	230/460	1200	F	CONT.	INCHS	1995 LBS.	DE: NU318 NDE: 6316

G  
F  
E  
D  
C  
B  
A  
a



- NOTE:
1. DIMENSIONS IN INCHES
  2. FRAME NO. 445T
  3. F CLASS INSULATION, S.F.1.15
  4. FOR BELT SERVICE
  5. ENCLOSURE: IP55
  6. WITH THERMISTOR: PTC 140°C 3PCS
  7. SHAFT MATERIAL: SCM440 Q&T (AISI 4140 EQUIV)
  8. CORROSION PROOF

OUTLINE DIMENSIONS			
3-PHASE INDUCTION MOTOR			
MOTOR TYPE	AEHHGD	FRAME NO.	EH-445T
CATALOG NO.	CDP1256	DATE	02-01-2018
TEC Westinghouse		DWG NO.	
DWG. C.COOK 02-01-18		31057G021300	

11 10 9 8 7 6 5 4 3 2 1

# TECO Westinghouse

ISSUED <b>6/13/2018</b>	<b>PERFORMANCE DATA</b> <b>3-PHASE INDUCTION MOTOR</b>	ENCLOSURE <b>TEFC</b>
TYPE <b>AEHHGD</b>		CATALOG# <b>CDP1256R</b>

### NAMEPLATE INFORMATION

OUTPUT		POLE	FRAME SIZE	VOLTAGE	HZ	RATED AMBIENT	INS. CLASS	NEMA DESIGN	TIME RATING	SERVICE FACTOR
HP	KW									
<b>125</b>	<b>93.3</b>	<b>6</b>	<b>445T</b>	<b>230/460</b>	<b>60</b>	<b>40°C</b>	<b>F</b>	<b>C</b>	<b>CONT.</b>	<b>1.15</b>

### VARIABLE FREQUENCY DRIVE SERVICE

VARIABLE TORQUE				OHMS/PHASE EQUIVALENT WYE CIRCUIT (AT RATED OPERATING TEMPERATURE 25°C)				
HZ	HP	RPM	TORQUE (lb-ft)	R1	R2	X1	X2	X <sub>m</sub>
<b>3~60</b>	<b>0.0156~125</b>	<b>60~1200</b>	<b>1.37~554</b>	<b>0.0515</b>	<b>0.0364</b>	<b>0.352</b>	<b>0.775</b>	<b>12.8</b>

CONSTANT TORQUE				CONSTANT HORSEPOWER			
HZ	HP	RPM	TORQUE (lb-ft)	HZ	HP	RPM	TORQUE (lb-ft)
<b>6~60</b>	<b>12.5~125</b>	<b>120~1200</b>	<b>554</b>	<b>60~90</b>	<b>125</b>	<b>1200~1800</b>	<b>554~369.33</b>

### TYPICAL PERFORMANCE

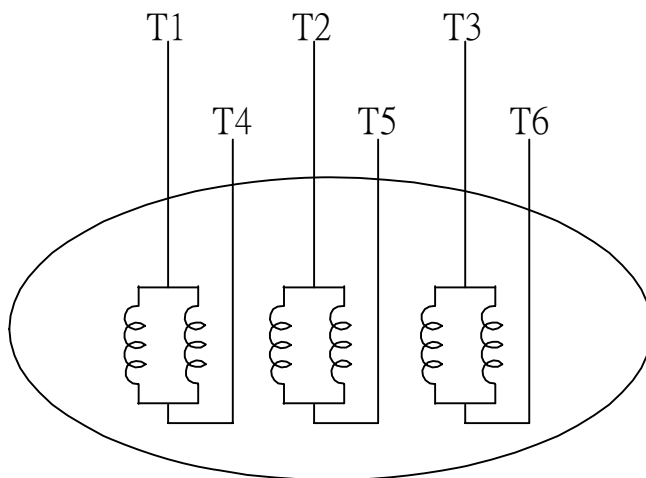
FULL LOAD RPM	EFFICIENCY				POWER FACTOR			SOUND PRESSURE LEVEL @ 3 FT Db(A)
	FULL LOAD		3/4 LOAD %	1/2 LOAD %	FULL LOAD %	3/4 LOAD %	1/2 LOAD %	
	MIN.%	NOM.%						
<b>1185</b>	<b>94.1</b>	<b>95</b>	<b>94.5</b>	<b>93.6</b>	<b>83</b>	<b>80.5</b>	<b>74</b>	<b>77</b>

CURRENTS									NEMA KVA CODE LETTER	SAFE STALL TIME IN SECONDS	
NO LOAD			FULL LOAD			LOCKED ROTOR				COLD	HOT
AT 208 VOLT	AT 230 VOLT	AT 460 VOLT	AT 208 VOLT	AT 230 VOLT	AT 460 VOLT	AT 208 VOLT	AT 230 VOLT	AT 460 VOLT			
<b>102.0</b>	<b>119.4</b>	<b>59.7</b>	<b>328</b>	<b>296</b>	<b>148</b>	<b>1641</b>	<b>1815</b>	<b>908</b>	<b>G</b>	<b>17</b>	<b>12</b>

TORQUE				INERTIA			ACCEL TIME (DOL)		ALLOWABLE STARTS PER HOUR	
FULL LOAD (lb-ft)	LOCKED ROTOR %FLT	PULL UP %FLT	BREAK DOWN %FLT	ROTOR WR <sup>2</sup> (lb-ft <sup>2</sup> )	NEMA LOAD WK <sup>2</sup> (lb-ft <sup>2</sup> )	MAX ALLOWABLE WK <sup>2</sup> (lb-ft <sup>2</sup> )	NEMA LOAD WK <sup>2</sup> Sec	MAX ALLOWABLE WK <sup>2</sup> Sec	COLD	HOT
<b>555.30</b>	<b>200</b>	<b>140</b>	<b>230</b>	<b>68</b>	<b>1452</b>	<b>3630</b>	<b>5.31</b>	<b>12.92</b>	<b>2</b>	<b>1</b>

APPROVED:	<b>M. PRATER</b>	DRAWING NO.	<b>31057CDP1256R</b>	REVISION:	<b>1</b>
-----------	------------------	-------------	----------------------	-----------	----------

DATE	SCHEMATIC 6 LEADS	MODEL
08/25/2017		CDP1256R



SCHEMATIC DIAGRAM - 6 LEADS

VOLTAGE	CONNECTION	ROTATION (VIEWED FROM NON-DRIVE END)
LOW (RUN. $\Delta$ )		
HIGH (START. $\Delta$ )		

DWN.	S.HUANG	MAR • 03 • 2003		DWG NO.	REV: 00
CHKD.	T.HSIAO	MAR • 03 • 2003		3A061H634W	
APPD.	T.HSIAO	MAR • 03 • 2003			