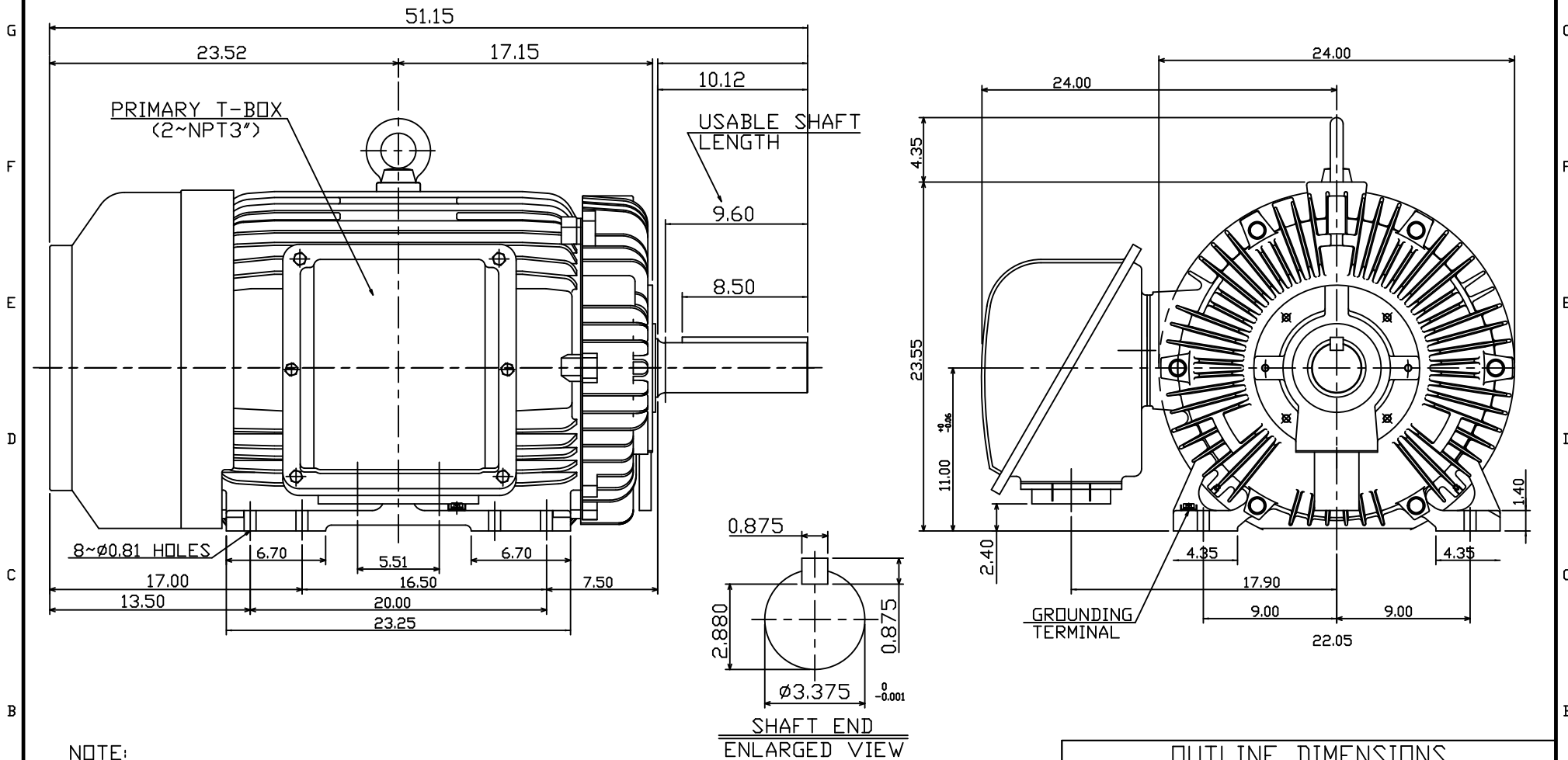


POLE	HP	kW	Hz	VOLT	r/min(RPM)	INS	RATING	DIMENSION IN	APPROX WEIGHT	BEARINGS
8	125	93.3	60	230/460	900	F	CONT.	INCH	1995 LBS.	DE: NU320 NDE: 6316



NOTE:

1. DIMENSIONS IN INCHES
2. FRAME NO. 447TZ
3. F CLASS INSULATION, S.F.1.15
4. FOR BELT SERVICE
5. ENCLOSURE: IP55
6. WITH THERMISTOR: PTC 140°C 3PCS
7. SHAFT MATERIAL: SCM440 Q&T (AISI 4140 EQUIV)
8. CORROSION PROOF

OUTLINE DIMENSIONS
3-PHASE INDUCTION MOTOR

MOTOR TYPE	AEHHGD	FRAME NO.	447TZ
CATALOG NO.	CDP1258R	DATE	02-01-2018

TEC Westinghouse			DWG NO.
DWG.	C.COOK	02 01 18	31057G022200

TECO Westinghouse

ISSUED 4/22/2019	PERFORMANCE DATA	ENCLOSURE TEFC
TYPE AEHHGD	3-PHASE INDUCTION MOTOR	CATALOG# CDP1258R

NAMEPLATE INFORMATION

OUTPUT		POLE	FRAME SIZE	VOLTAGE	HZ	RATED AMBIENT	INS. CLASS	NEMA DESIGN	TIME RATING	SERVICE FACTOR
HP	KW									
125	93	8	447TZ	230/460	60	40°C	F	C	CONT.	1.15

TYPICAL PERFORMANCE

FULL LOAD RPM	EFFICIENCY				POWER FACTOR			MAXIMUM POWER FACTOR CORRECTION
	FULL LOAD		3/4 LOAD %	1/2 LOAD %	F. L. %	3/4 LOAD %	1/2 LOAD %	
	MIN. %	NOM. %						
890	93.0	94.1	94.1	94.1	80.0	77.0	69.0	40.8 KVAR

CURRENTS

NO LOAD			FULL LOAD			LOCKED ROTOR			NEMA KVA CODE LETTER
AT	AT	AT	AT	AT	AT	AT	AT	AT	
208 VOLT	230 VOLT	460 VOLT	208 VOLT	230 VOLT	460 VOLT	208 VOLT	230 VOLT	460 VOLT	
105	128	64	344	311	155	1641	1815	908	G

TORQUE

INERTIA

ACCEL TIME

FULL LOAD lb-ft	LOCKED ROTOR %FLT	PULL UP %FLT	BREAK DOWN %FLT	ROTOR WR ² lb-ft ²	NEMA LOAD WK ² lb-ft ²	MAX ALLOWABLE WK ² lb-ft ²	NEMA LOAD WK ² Sec	MAX ALLOWABLE WK ² Sec
737	220	160	260	141	2919	5838	5.45	10.66

SAFE STALL TIME IN SECONDS

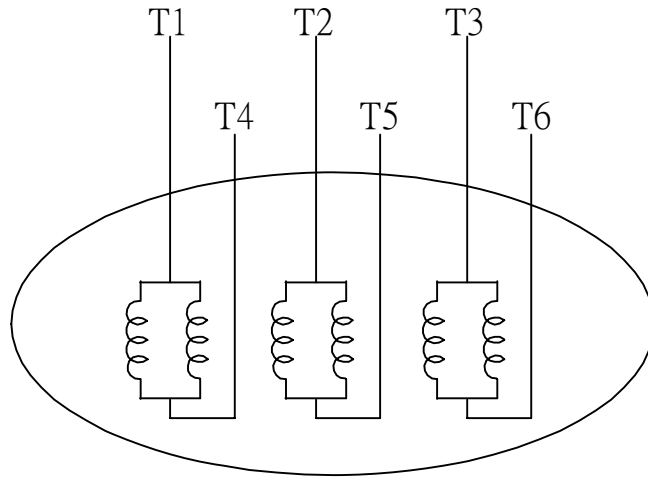
ALLOWABLE STARTS PER HOUR

SOUND PRESSURE LEVEL @ 3 FT dB(A)

SAFE STALL TIME IN SECONDS		ALLOWABLE STARTS PER HOUR		SOUND PRESSURE LEVEL @ 3 FT dB(A)
COLD	HOT	COLD	HOT	
18	13	2	1	77

APPROVED:	M. PRATER	DRAWING NO.	3A057CDP1258R	REVISION 1
-----------	------------------	-------------	----------------------	-------------------

DATE	SCHEMATIC 6 LEADS	MODEL
08/25/2017		



SCHEMATIC DIAGRAM - 6 LEADS

VOLTAGE	CONNECTION	ROTATION (VIEWED FROM NON-DRIVE END)
LOW (RUN. Δ)		
HIGH (START. \wedge)		

DWN.	S.HUANG	MAR • 03 • 2003
CHKD.	T.HSIAO	MAR • 03 • 2003
APPD.	T.HSIAO	MAR • 03 • 2003



DWG NO.	REV: 00
3A061H634W	