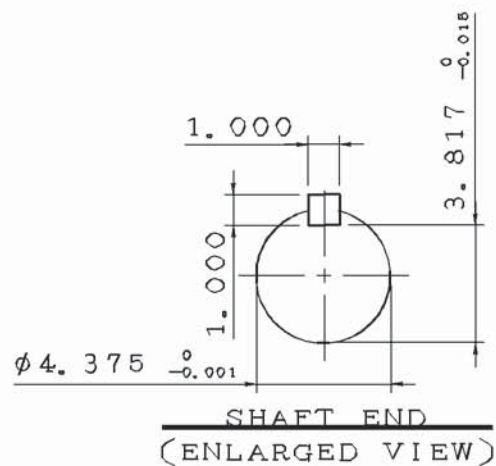
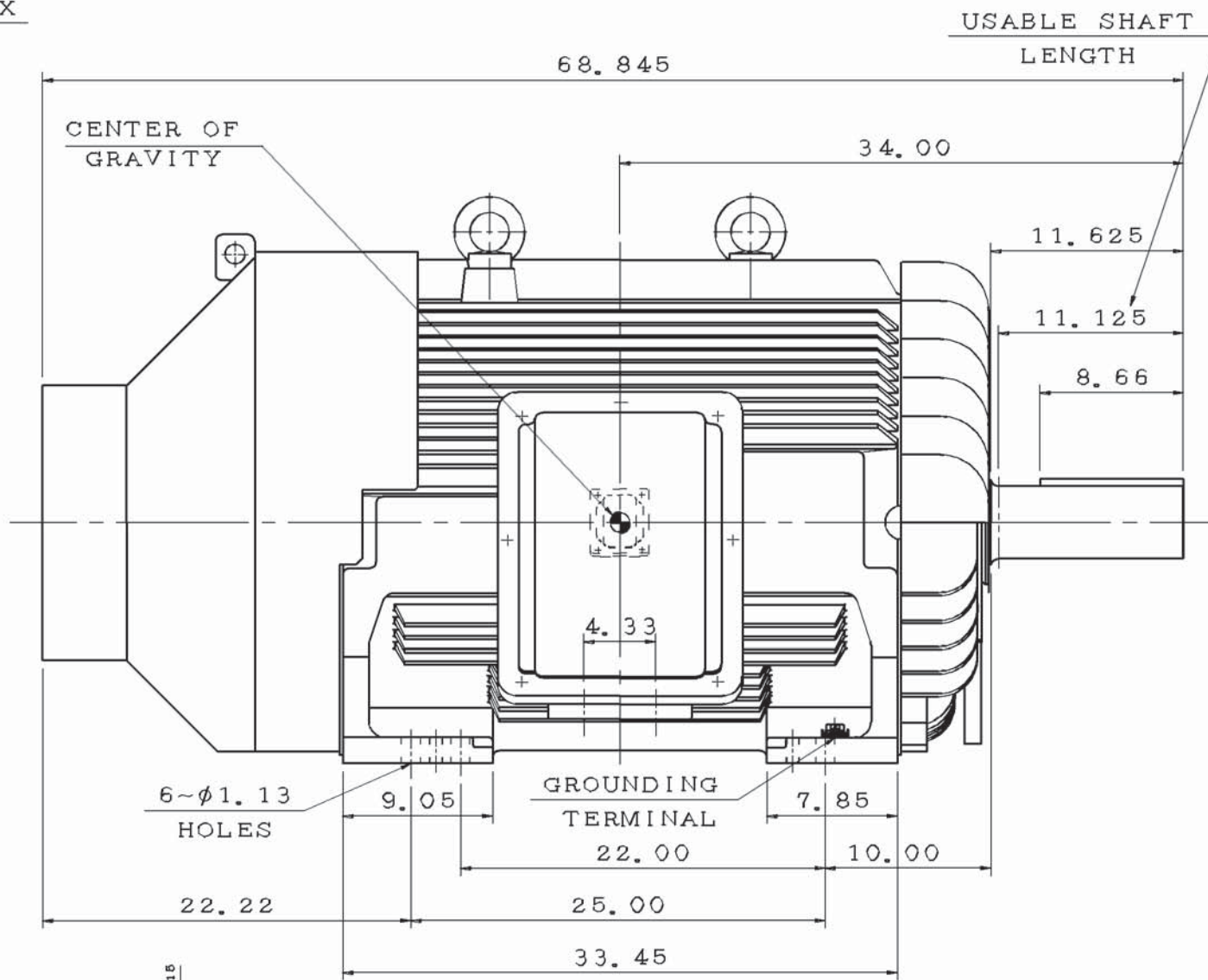
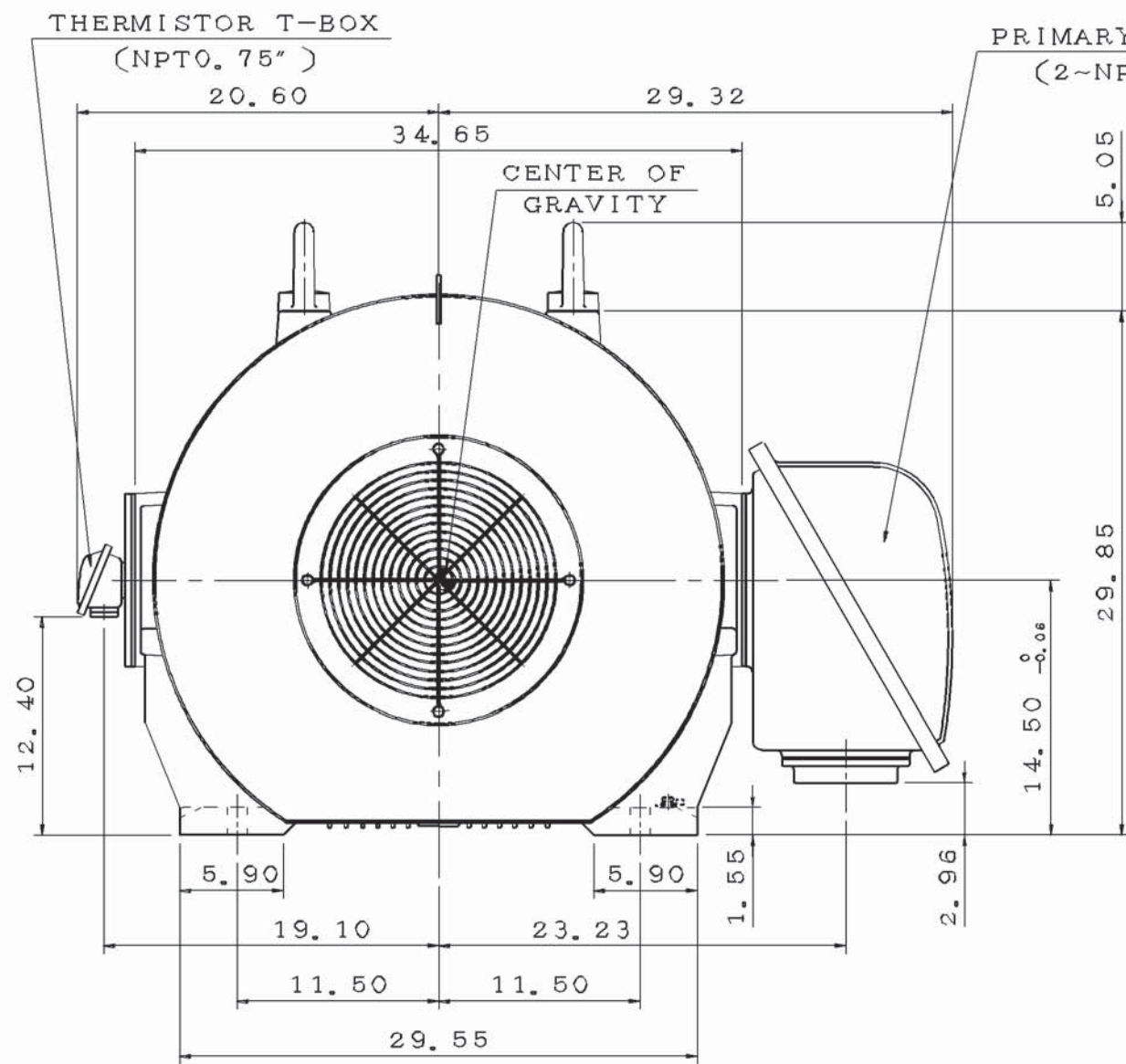


TYPE	OUTPUT		POLE	TIME RATING	VOLTAGE V	Hz	SYN. SPEED R. P. M
	HP.	kW.					
AEHH-GD	300		4	CONT	575	60	1800

TOTALLY ENCLOSED FAN-COOLED TYPE, SQUIRREL-CAGE ROTOR



NOTE:

- DIMENSIONS IN inch
- FRAME NO. 586/7UZ
- F CLASS INSULATION, S. F. 1.15
- FOR BELT DRIVE
- ENCLOSURE: IP55
- BEARING SIZE: DRIVE-END NU324C3
OPP. DRIVE-END 6314
- NON-SPARKING FAN
- WITH THERMISTOR: PTC 140°C 3PCS
- MOTOR APPROX. WEIGHT: 4250lb

DWN.	L. JHENG	OCT.26.2018
CHKD.	Y. LEE	OCT.30.2018
APPD.	C. WANG	OCT.30.2018

DATE	OUTLINE DIMENSIONS
	3-PHASE INDUCTION MOTOR
TECO Westinghouse	DWG NO. 4B040Y655
	REV:00

TECO Westinghouse

ISSUED	PERFORMANCE DATA 3-PHASE INDUCTION MOTOR	ENCLOSURE
TYPE AEHHGD		CATALOG# FC191686T1

NAMEPLATE INFORMATION

OUTPUT		POLE	FRAME SIZE	VOLTAGE	HZ	RATED AMBIENT	INS. CLASS	NEMA DESIGN	TIME RATING	SERVICE FACTOR
HP	KW									
300		4	586/7	575	60	40	F	B	CONT.	1.15

TYPICAL PERFORMANCE

FULL LOAD RPM	EFFICIENCY				POWER FACTOR			MAXIMUM POWER FACTOR CORRECTION	
	FULL LOAD		3/4 LOAD %	1/2 LOAD %	F. L. %	3/4 LOAD %	1/2 LOAD %		
	MIN. %	NOM. %							
1791	95.5	96.2	95.9	95.1	83.9	80.0	69.0	74.4	KVAR

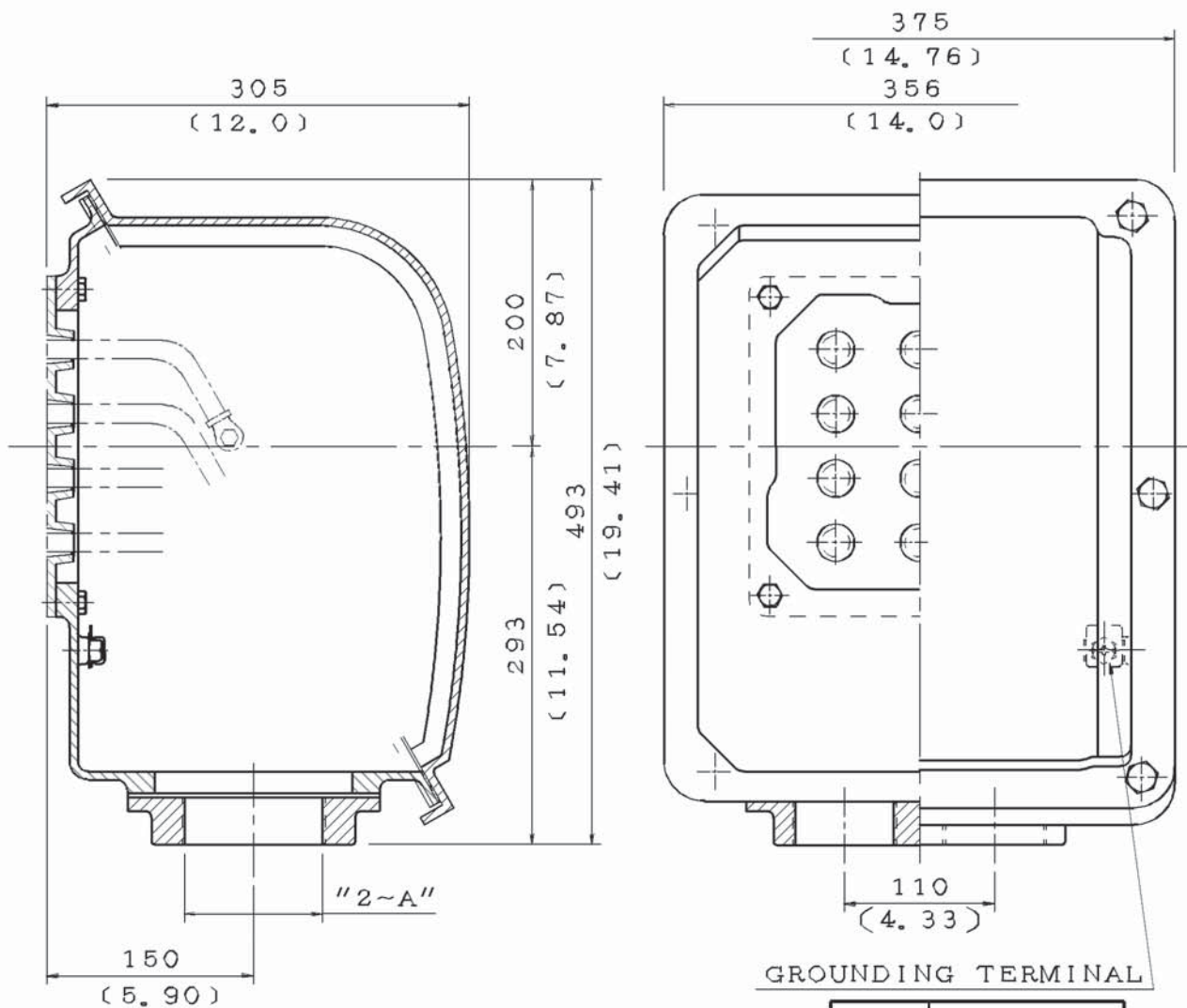
CURRENTS			NEMA KVA CODE LETTER
NO LOAD	FULL LOAD	LOCKED ROTOR	
109.9	278	2087	H

TORQUE				INERTIA			ACCEL TIME	
FULL LOAD lb-ft	LOCKED ROTOR %FLT	PULL UP %FLT	BREAK DOWN %FLT	ROTOR WK ² lb-ft ²	NEMA LOAD WK ² lb-ft ²	MAX ALLOWABLE WK ² lb-ft ²	LOAD WK ² Sec	MAX ALLOWABLE WK ² Sec
879	200	190	250	161.4	1198	—	7	—

SAFE STALL TIME IN SECONDS		ALLOWABLE STARTS PER HOUR		SOUND PRESSURE LEVEL @ 3 FT dB(A)
COLD	HOT	COLD	HOT	
22	15	2	1	

APPROVED:		DRAWING NO.	FC191686T1	REVISION 00
-----------	--	-------------	-------------------	--------------------

DATE	SCHEMATIC DRAWING TERMINAL BOX	MODEL



GROUNDING TERMINAL

ITEM	A
01	NPT 2"
02	NPT 3"
03	NPT 3.5"
04	NPT 4"
05	NPT 5"
06	PF 2"
07	PF 3"
08	PF 3.5"
09	PF 4"
10	PF 5"
11	M63X1.5
12	NPT 2.5"



NOTE:

1. DIMENSIONS IN mm(inch)
2. TW-66C
3. PRIMARY T-BOX
4. THIS IS TYPICAL CONSTRUCTION DRAWING, SUITABLE FOR 3, 6, 9 AND 12 LEADS' OUTLET.

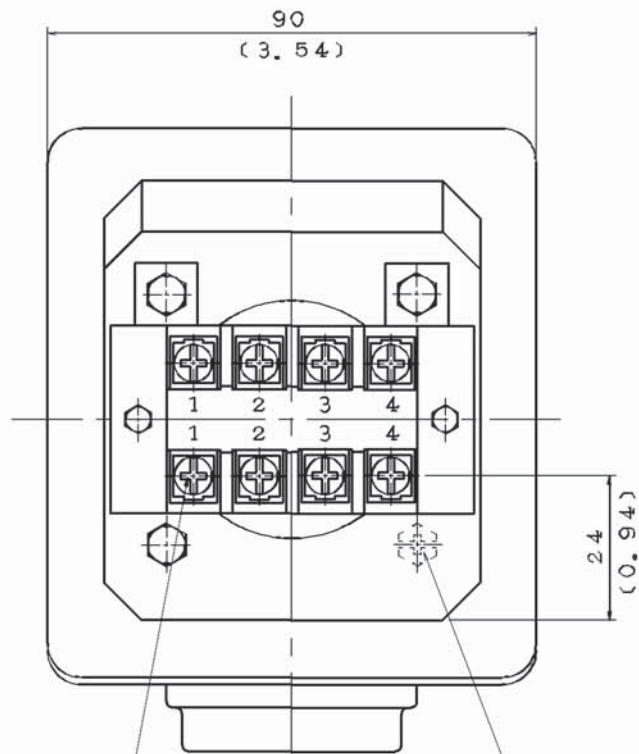
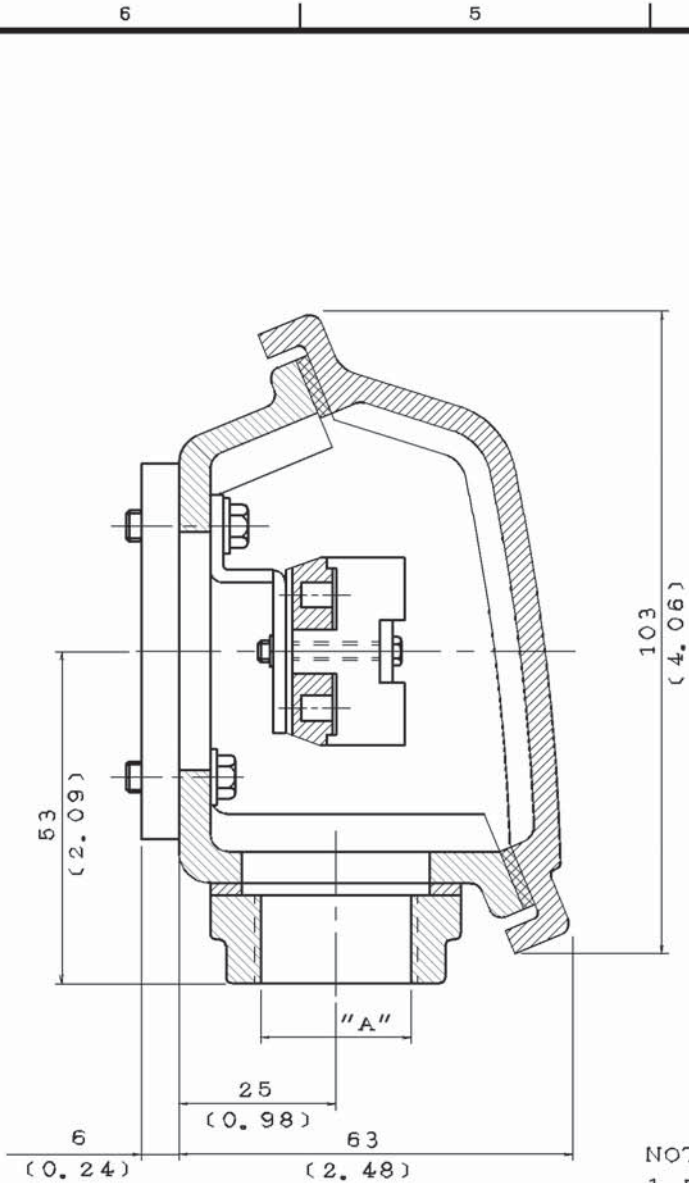
DWN.	W. L. LIN	AUG*21* 2003
CHKD.	W. L. LIN	AUG*21* 2003
APPD.	C. WANG	AUG*21* 2003

TECO **Westinghouse**

DWG NO. REV:04

3A040U432

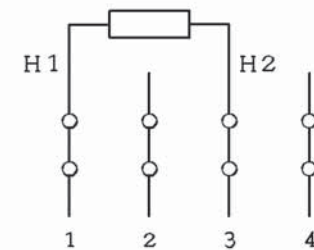
R



M4 SCREW FOR CONNECTION

M5 EARTH BOLT

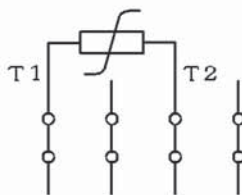
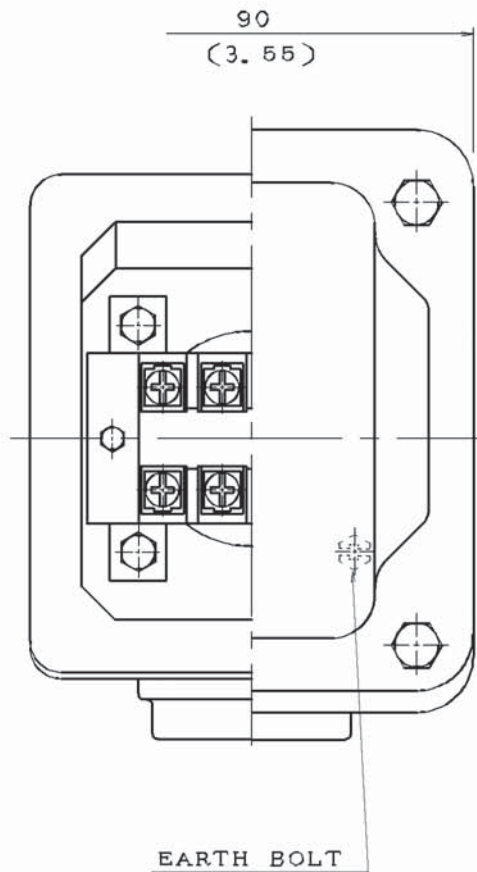
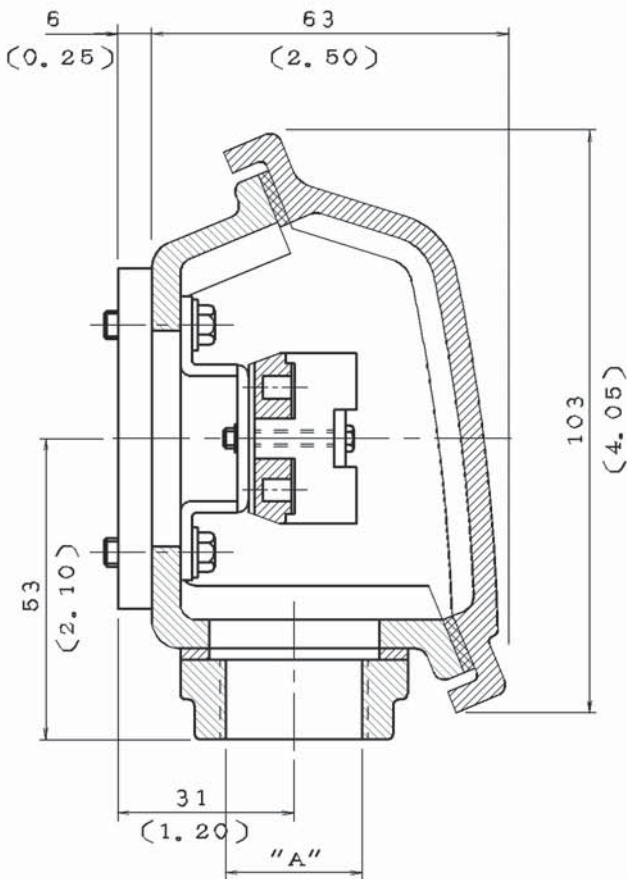
- NOTE:
1. DIMENSIONS IN mm (inch)
 2. TW-06
 3. SPACE HEATER T-BOX.
 4. ENCLOSURE: IP55
 5. MATERIAL: CAST IRON



ITEM	A
01	M20×1.5
02	PF-0.5"
03	PF-0.75"
04	PT-0.5"
05	PT-0.75"
06	NPT-0.5"
07	NPT-0.75"
08	M25×1.5
09	PF1"
10	NPT1"
11	PG16

DATE	SCHEMATIC DRAWING	
	TERMINAL BOX	
DWN. H. HUANG JUN 19 200		DWG NO. REV:10
CHKD. H. HUANG JUN 19 200		3A040U272
APPD. C. WANG JUN 19 200		

DATE	SCHEMATIC DRAWING TERMINAL BOX	MODEL



NOTE: 1. DIMENSIONS IN mm (inch)
 2. TW-06
 3. THERMISTOR T-BOX

ITEM	A
01	M20X1.5
02	M25X1.5
03	PF0.5"
04	PF0.75"
05	PF1"
06	PT0.5"
07	PT0.75"
08	NPT0.5"
09	NPT0.75"
10	NPT1"



DWN.	L. NIEH	MAY*21*2002
CHKD.	B. YANG	MAY*21*2002
APPD.	T. CHEN	MAY*21*2002

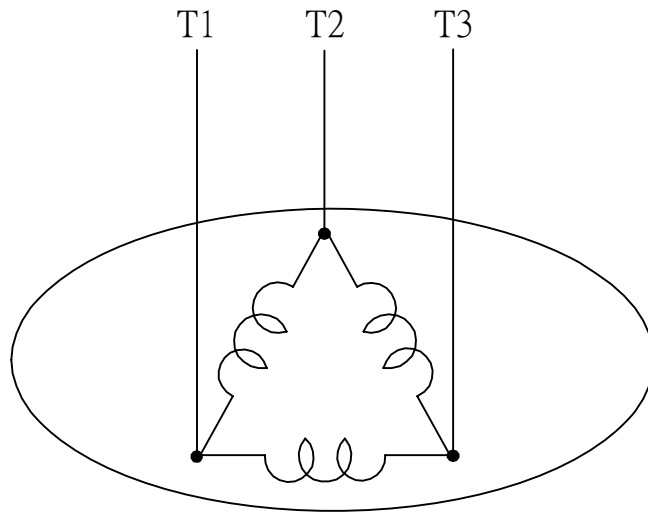
TECO **Westinghouse**

DWG NO. REV:04

3A040M465

R

DATE	SCHEMATIC DELTA CONN 3 LEADS	MODEL



SCHEMATIC - DELTA CONN - 3 LEADS

CONNECTION	ROTATION (VIEWED FROM NON-DRIVE END)

DWN.	S.HUANG	MAR • 03 • 2003		DWG NO.	REV: 00
CHKD.	T.HSIAO	MAR • 03 • 2003		3A061H628W	
APPD.	T.HSIAO	MAR • 03 • 2003			