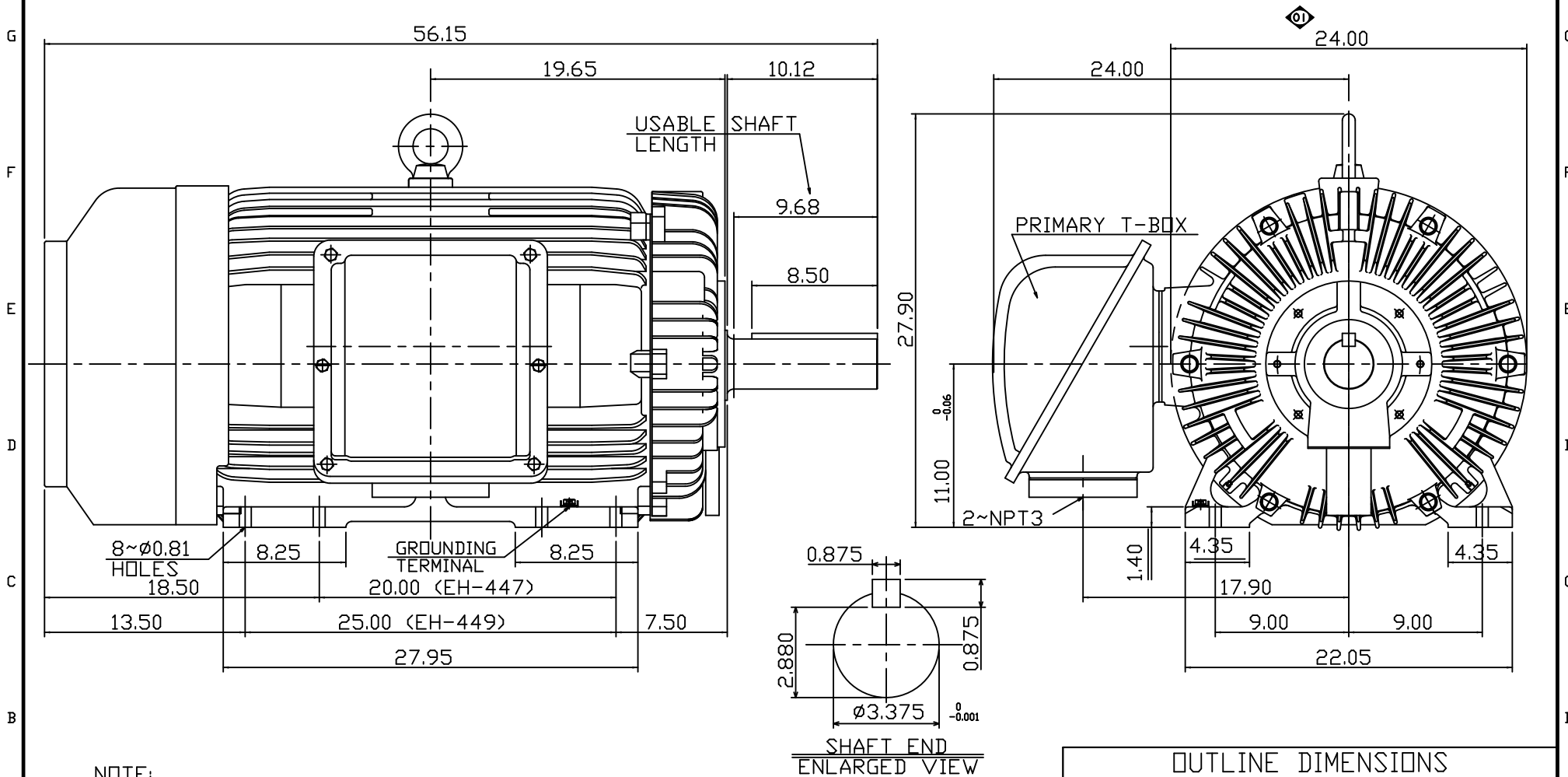


POLE	HP	kW	Hz	VOLT	r/min(RPM)	INS	RATING	DIMENSION IN	APPROX WEIGHT	BEARINGS
4	350	261	60	460	1800	F	CONT.	INCH	3290 LBS.	DE:NU320 NDE:6316



NOTE:

1. DIMENSIONS IN INCHES
2. FRAME NO. 449TZ
3. F CLASS INSULATION, S.F.1.15
4. FOR BELT SERVICE
5. ENCLOSURE: IP55
6. WITH THERMISTOR: PTC 140°C 3PCS
7. SHAFT MATERIAL: SCM440 Q&T (AISI 4140 EQUIV)
8. CORROSION PROOF

OUTLINE DIMENSIONS  
3-PHASE INDUCTION MOTOR

MOTOR TYPE	AEHHGD	FRAME NO.	449TZ
CATALOG NO.	CDP3504TR	DATE	02-01-2018

DWG.	C.COOK	02-01-18		DWG NO.	31057G020271

# TECO Westinghouse

ISSUED <b>02/19/19</b>	<b>PERFORMANCE DATA</b>	ENCLOSURE <b>TEFC</b>
TYPE <b>AEHHGD</b>	<b>3-PHASE INDUCTION MOTOR</b>	CATALOG# <b>CDP3504TR</b>

### NAMEPLATE INFORMATION

OUTPUT		POLE	FRAME SIZE	VOLTAGE	HZ	RATED AMBIENT	INS. CLASS	NEMA DESIGN	TIME RATING	SERVICE FACTOR
HP	KW									
<b>350</b>	<b>261</b>	<b>4</b>	<b>449T</b>	<b>460</b>	<b>60</b>	<b>40°C</b>	<b>F</b>	<b>B</b>	<b>CONT.</b>	<b>1.15</b>

### TYPICAL PERFORMANCE

FULL LOAD RPM	EFFICIENCY				POWER FACTOR			MAXIMUM POWER FACTOR CORRECTION
	FULL LOAD		3/4 LOAD %	1/2 LOAD %	F. L. %	3/4 LOAD %	1/2 LOAD %	
	MIN. %	NOM. %						
<b>1786</b>	<b>95.4</b>	<b>96.2</b>	<b>95.8</b>	<b>95.5</b>	<b>88.5</b>	<b>87.0</b>	<b>82.0</b>	<b>107 KVAR</b>

CURRENTS			NEMA KVA CODE LETTER
NO LOAD	FULL LOAD	LOCKED ROTOR	
<b>134.7</b>	<b>385</b>	<b>3100</b>	<b>H</b>

TORQUE				INERTIA			ACCEL TIME	
FULL LOAD lb-ft	LOCKED ROTOR %FLT	PULL UP %FLT	BREAK DOWN %FLT	ROTOR WR <sup>2</sup> lb-ft <sup>2</sup>	NEMA LOAD WK <sup>2</sup> lb-ft <sup>2</sup>	MAX ALLOWABLE WK <sup>2</sup> lb-ft <sup>2</sup>	NEMA LOAD WK <sup>2</sup> Sec	MAX ALLOWABLE WK <sup>2</sup> Sec
<b>1029</b>	<b>230</b>	<b>190</b>	<b>250</b>	<b>105.29</b>	<b>1370</b>	<b>3425</b>	<b>3.81</b>	<b>9.11</b>

SAFE STALL TIME IN SECONDS		ALLOWABLE STARTS PER HOUR		SOUND PRESSURE LEVEL @ 3 FT dB(A)
COLD	HOT	COLD	HOT	
<b>20</b>	<b>15</b>	<b>2</b>	<b>1</b>	<b>85</b>

APPROVED:	<b>M. PRATER</b>	DRAWING NO.	<b>31057CDP3504TR</b>	REVISION <b>0</b>
-----------	------------------	-------------	-----------------------	-------------------

DATE:  
August 17, 2006

# CONNECTION DIAGRAM

CATALOG NO.:  
CD3504TR



**SCHEMATIC - Δ / Y CONNECTION**

## ACROSS THE LINE CONNECTION



**460 VOLT CONNECTION**

## WYE START-DELTA RUN CONNECTION



**LINE  
460 VOLT START**



**LINE  
460 VOLT RUN**