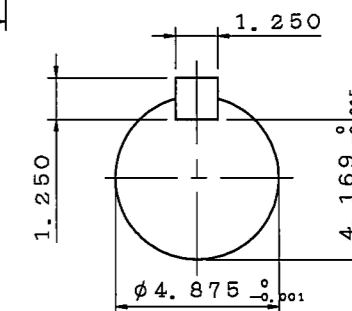
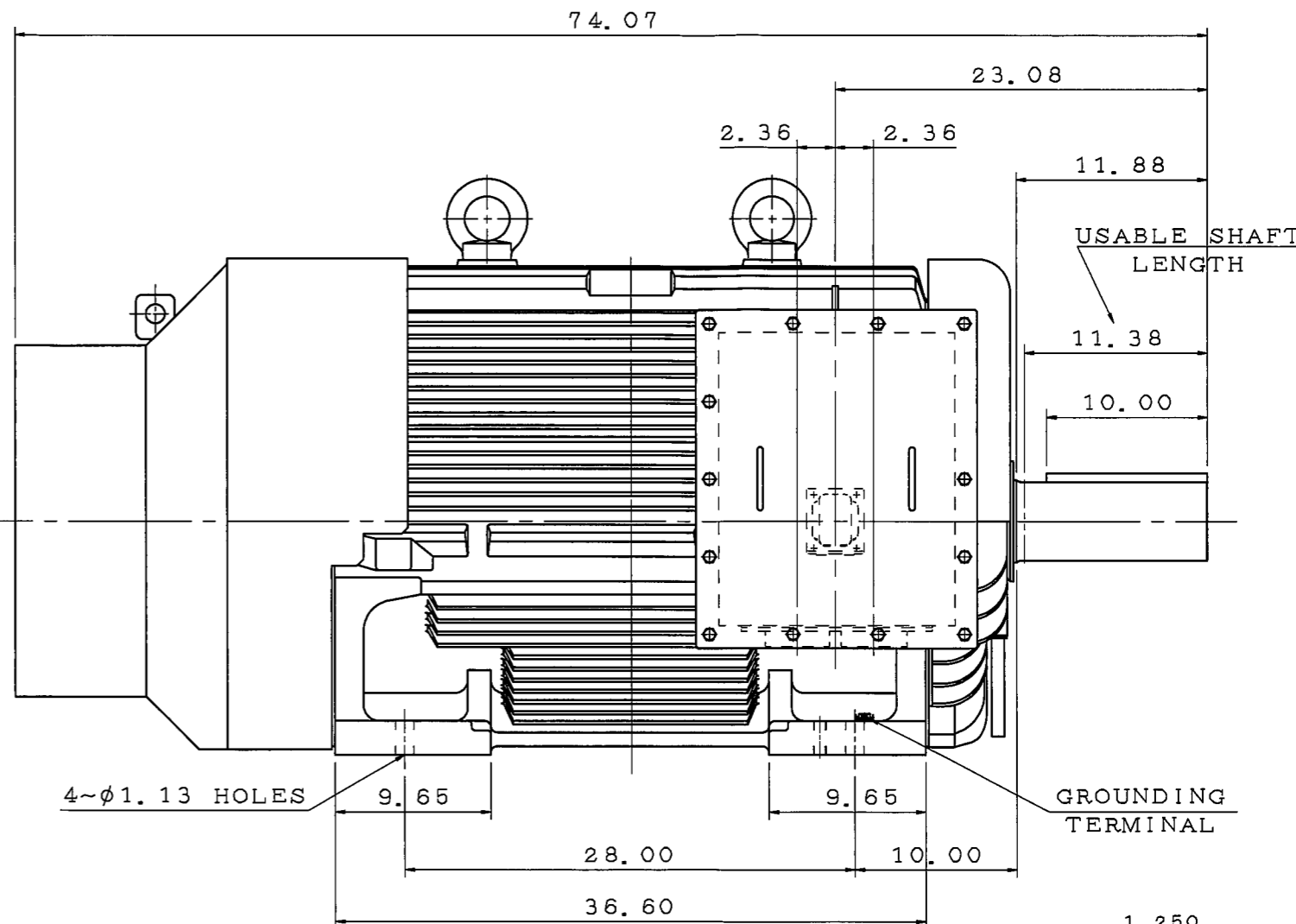
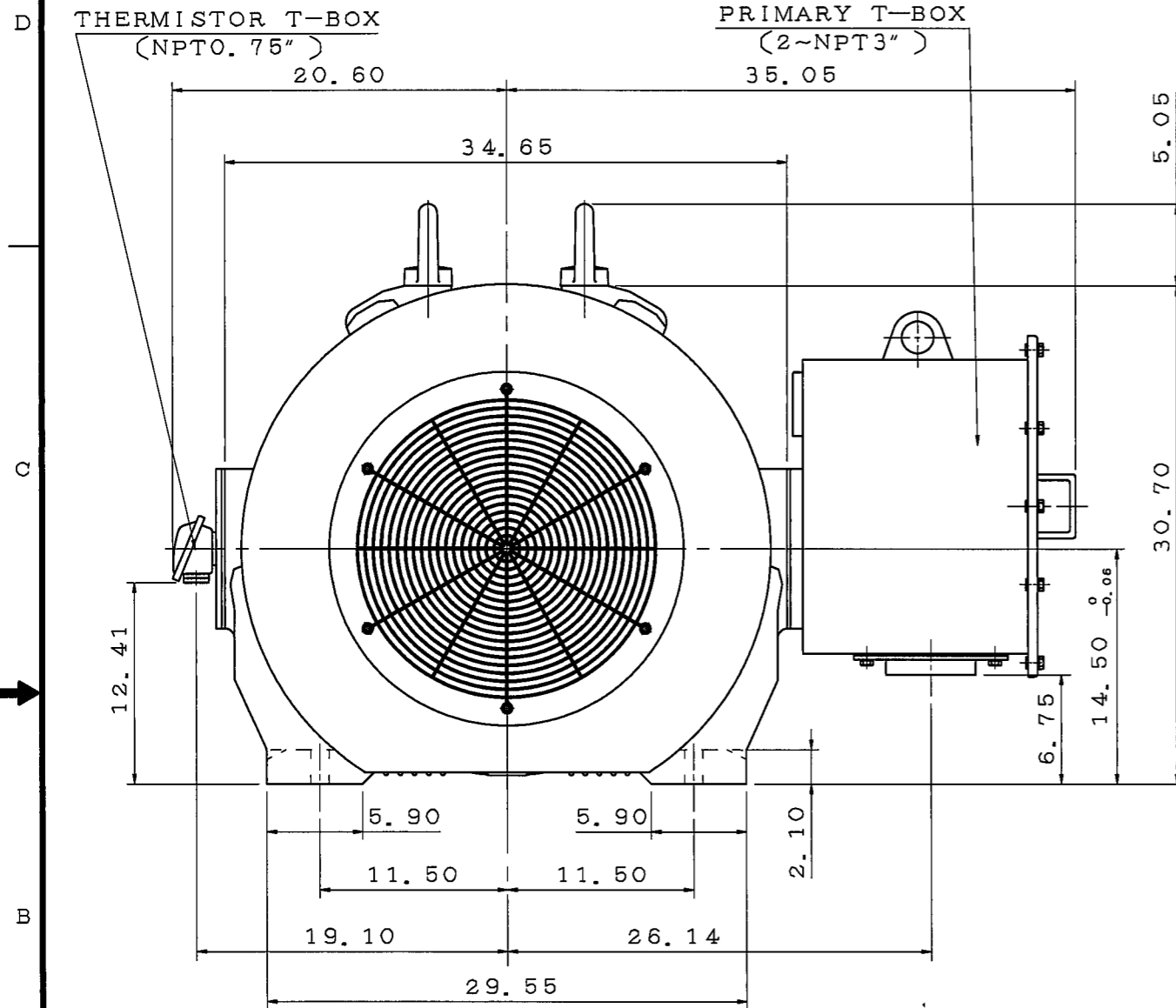


| TYPE    | OUTPUT |     | POLE | TIME RATING | VOLTAGE V | Hz | SYN. SPEED R. P. M |
|---------|--------|-----|------|-------------|-----------|----|--------------------|
|         | HP.    | kW. |      |             |           |    |                    |
| AEHH-GD | 500    | 373 | 4    | CONT.       | 460       | 60 | 1800               |

TOTALLY ENCLOSED FAN-COOLED TYPE, SQUIRREL-CAGE ROTOR



SHAFT END (ENLARGED VIEW)

NOTE:

1. DIMENSIONS IN inch
2. FRAME NO. 5808C
3. F CLASS INSULATION, S. F. 1.15
4. FOR BELT DRIVE
5. ENCLOSURE: IP55
6. BEARING SIZE: DRIVE-END NU326C3  
OPP. DRIVE-END 6322
7. NON-SPARKING FAN
8. WITH THERMISTOR: PTC 140°C 3PCS
9. MOTOR APPROX. WEIGHT: 5765 lb

DATE 08/29/2017

OUTLINE DIMENSIONS

CDP5004R

3-PHASE INDUCTION MOTOR

|       |         |               |
|-------|---------|---------------|
| DWN.  | R. SHEN | MAR. 24. 2017 |
| CHKD. | B. LEE  | MAR. 24. 2017 |
| APPD. | C. LIU  | MAR. 24. 2017 |

**TECO** Westinghouse

DWG NO. REV:01

4B040T967

# TECO Westinghouse

|                       |   |                             |
|-----------------------|---|-----------------------------|
| ISSUED                | <b>PERFORMANCE DATA</b><br><b>3-PHASE INDUCTION MOTOR</b> | ENCLOSURE                   |
| TYPE<br><b>AEHHGD</b> |   | CATALOG#<br><b>CDP5004R</b> |

### NAMEPLATE INFORMATION

| OUTPUT     |            | POLE     | FRAME SIZE   | VOLTAGE    | HZ        | RATED AMBIENT | INS. CLASS | NEMA DESIGN | TIME RATING  | SERVICE FACTOR |
|------------|------------|----------|--------------|------------|-----------|---------------|------------|-------------|--------------|----------------|
| HP         | KW         |          |              |            |           |               |            |             |              |                |
| <b>500</b> | <b>373</b> | <b>4</b> | <b>5808C</b> | <b>460</b> | <b>60</b> | <b>40</b>     | <b>F</b>   | <b>A</b>    | <b>CONT.</b> | <b>1.15</b>    |

### TYPICAL PERFORMANCE

| FULL LOAD RPM | EFFICIENCY  |             |             |             | POWER FACTOR |             |             | MAXIMUM POWER FACTOR CORRECTION |
|---------------|-------------|-------------|-------------|-------------|--------------|-------------|-------------|---------------------------------|
|               | FULL LOAD   |             | 3/4 LOAD %  | 1/2 LOAD %  | F. L. %      | 3/4 LOAD %  | 1/2 LOAD %  |                                 |
|               | MIN. %      | NOM. %      |             |             |              |             |             |                                 |
| <b>1787</b>   | <b>95.5</b> | <b>96.2</b> | <b>96.0</b> | <b>95.3</b> | <b>82.4</b>  | <b>77.9</b> | <b>67.0</b> | <b>119 KVAR</b>                 |

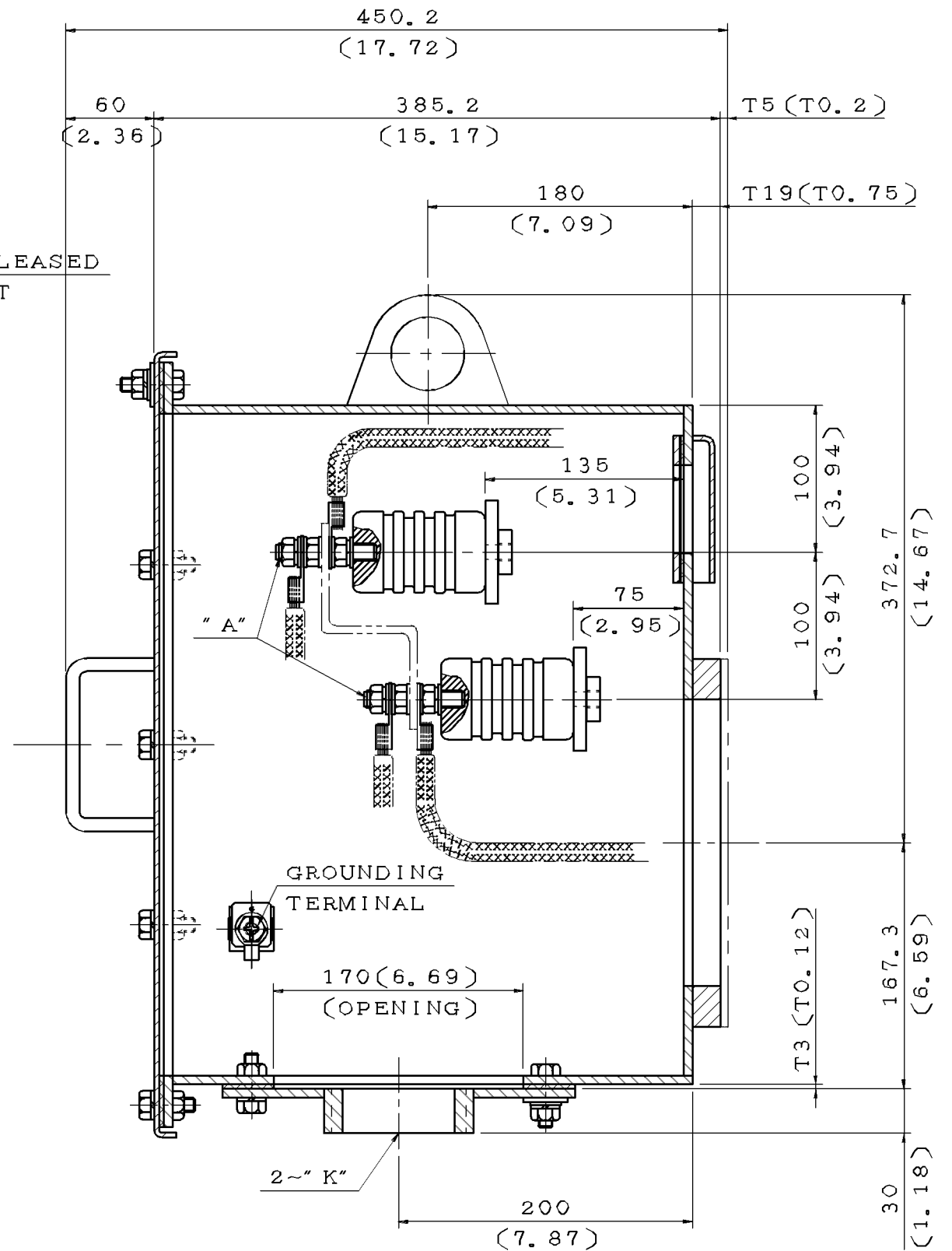
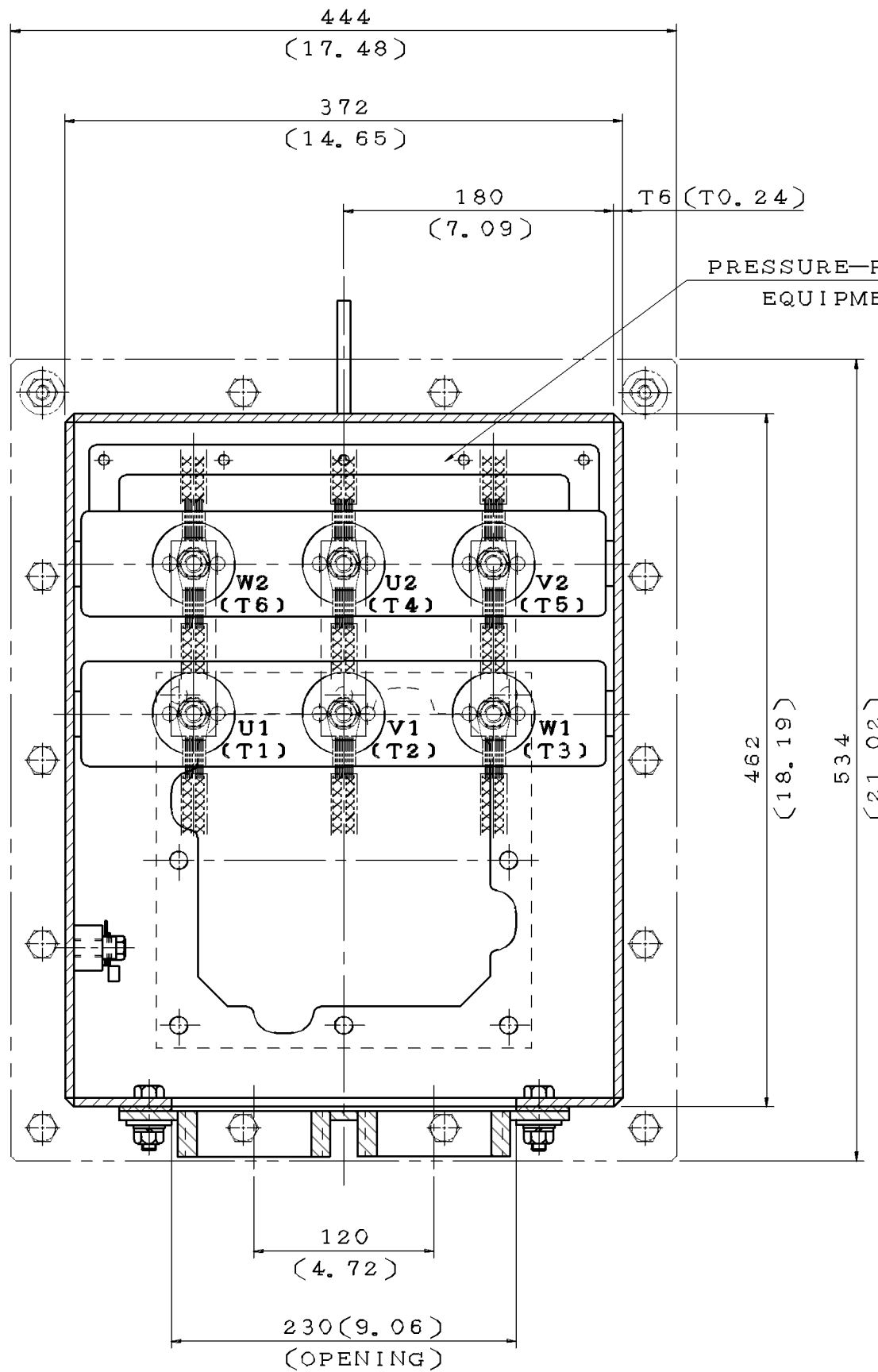
| CURRENTS     |            |              | NEMA KVA CODE LETTER |
|--------------|------------|--------------|----------------------|
| NO LOAD      | FULL LOAD  | LOCKED ROTOR |                      |
| <b>183.8</b> | <b>591</b> | <b>4723</b>  | <b>J</b>             |

| TORQUE          |                   |              |                 | INERTIA                                  |  |  | ACCEL TIME                    |                                   |
|-----------------|-------------------|--------------|-----------------|--|--|--|-------------------------------|-----------------------------------|
| FULL LOAD lb-ft | LOCKED ROTOR %FLT | PULL UP %FLT | BREAK DOWN %FLT | ROTOR WK <sup>2</sup> lb-ft <sup>2</sup> | NEMA LOAD WK <sup>2</sup> lb-ft <sup>2</sup> | MAX ALLOWABLE WK <sup>2</sup> lb-ft <sup>2</sup> | NEMA LOAD WK <sup>2</sup> Sec | MAX ALLOWABLE WK <sup>2</sup> Sec |
| <b>1461.9</b>   | <b>150</b>        | <b>142.5</b> | <b>250</b>      | <b>246.8</b>                             | <b>1879</b>                                  | —  | <b>6.00</b>                   | —                                 |

| SAFE STALL TIME IN SECONDS |           | ALLOWABLE STARTS PER HOUR |          | SOUND PRESSURE LEVEL @ 3 FT dB(A) |
|----------------------------|-----------|---------------------------|----------|-----------------------------------|
| COLD                       | HOT       | COLD                      | HOT      |                                   |
| <b>28</b>                  | <b>20</b> | <b>2</b>                  | <b>1</b> |                                   |

|           |  |             |                      |                    |
|-----------|--|-------------|----------------------|--------------------|
| APPROVED: |  | DRAWING NO. | <b>FC175662T1-DS</b> | REVISION <b>00</b> |
|-----------|--|-------------|----------------------|--------------------|

| ITEM | A   | K       |
|------|-----|---------|
| 01   | M10 | NPT2"   |
| 02   | M16 | NPT2"   |
| 03   | M10 | NPT2.5" |
| 04   | M16 | NPT2.5" |
| 05   | M10 | NPT3"   |
| 06   | M16 | NPT3"   |
| 07   | M10 | NPT3.5" |
| 08   | M16 | NPT3.5" |
| 09   | M10 | NPT4"   |
| 10   | M16 | NPT4"   |
| 11   | M10 | PF5"    |
| 12   | M16 | PF5"    |



PRESSURE-RELEASED EQUIPMENT

GROUNDING TERMINAL

NOTE:  
 1. DIMENSIONS IN mm(inch)  
 2. PRIMARY T-BOX

|       |          |             |
|-------|----------|-------------|
| DWN.  | J. WANG  | JUL.28.2017 |
| CHKD. | H. HUANG | JUL.28.2017 |
| APPD. | C. LIU   | JUL.28.2017 |

DATE 08/29/2017

SCHEMATIC DRAWING

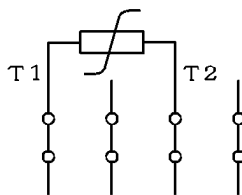
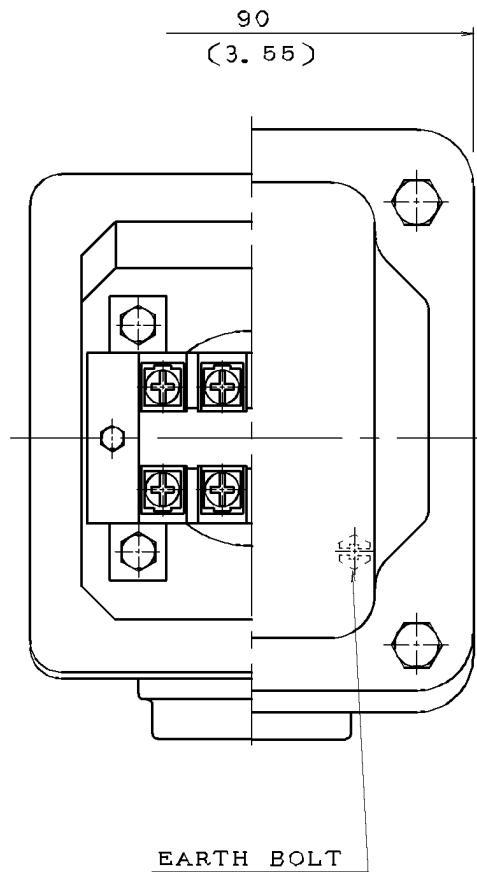
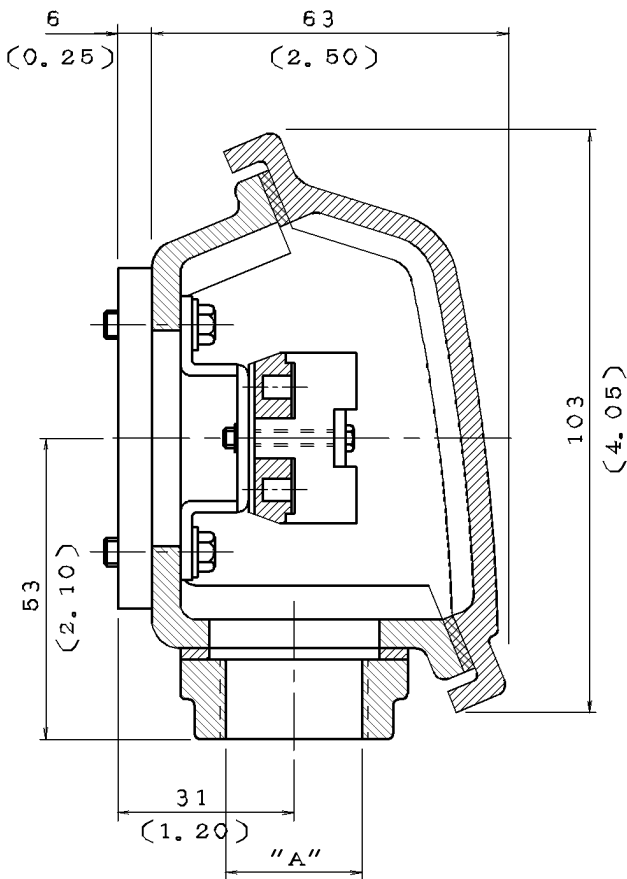
TERMINAL BOX

**TECO** Westinghouse

DWG NO. REV:00

4B040W404

|            |                                   |       |
|------------|-----------------------------------|-------|
| DATE       | SCHEMATIC DRAWING<br>TERMINAL BOX | MODEL |
| 08/29/2017 |                                   |       |



NOTE: 1. DIMENSIONS IN mm (inch)  
 2. TW-06  
 3. THERMISTOR T-BOX

| ITEM | A        |
|------|----------|
| 01   | M20X1.5  |
| 02   | M25X1.5  |
| 03   | PF0.5"   |
| 04   | PF0.75"  |
| 05   | PF1"     |
| 06   | PT0.5"   |
| 07   | PT0.75"  |
| 08   | NPT0.5"  |
| 09   | NPT0.75" |
| 10   | NPT1"    |



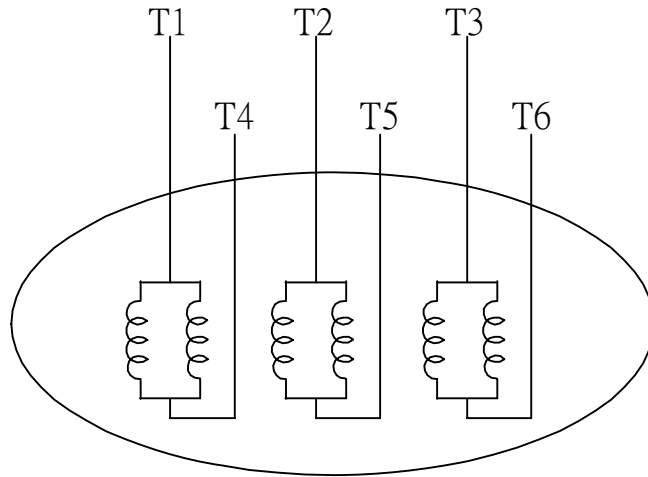
|       |         |             |
|-------|---------|-------------|
| DWN.  | L. NIEH | MAY*21*2002 |
| CHKD. | B. YANG | MAY*21*2002 |
| APPD. | T. CHEN | MAY*21*2002 |

**TECO** Westinghouse

DWG NO. REV: 04

3A040M465

|            |                      |       |
|------------|----------------------|-------|
| DATE       | SCHEMATIC<br>6 LEADS | MODEL |
| 08/29/2017 |                      |       |



SCHEMATIC DIAGRAM - 6 LEADS

| VOLTAGE                    | CONNECTION | ROTATION (VIEWED FROM NON-DRIVE END) |
|----------------------------|------------|--------------------------------------|
| LOW<br>(RUN. $\Delta$ )    |            |                                      |
| HIGH<br>(START. $\Delta$ ) |            |                                      |

|       |         |                 |  |            |         |
|-------|---------|-----------------|--|------------|---------|
| DWN.  | S.HUANG | MAR • 03 • 2003 |  | DWG NO.    | REV: 00 |
| CHKD. | T.HSIAO | MAR • 03 • 2003 |  | 3A061H634W |         |
| APPD. | T.HSIAO | MAR • 03 • 2003 |  |            |         |