

BALDOR® • RELIANCE 

Product Information Packet

CDRX050544

0.5HP,1740//1450RPM,3PH,60//50HZ,56C,XPN

Part Detail							
Revision:	B	Status:	PRD/A	Change #:		Proprietary:	No
Type:	AC	Elec. Spec:	35WGP863	CD Diagram:	CD0005	Mfg Plant:	
Mech. Spec:		Layout:	35LYX724	Poles:	04	Created Date:	08-23-2019
Base:		Eff. Date:	01-25-2021	Leads:	9#18		

Specs			
Catalog Number:	CDRX050544	Duty Rating:	CONT
Enclosure:	XPNV	Electrically Isolated Bearing:	Not Electrically Isolated
Frame:	56C	Feedback Device:	NO FEEDBACK
Frame Material:	Steel	Heater Indicator:	No Heater
Output @ Frequency:	.500 HP @ 60 HZ	Insulation Class:	F
	.330 HP @ 50 HZ	Inverter Code:	Inverter Duty
Synchronous Speed @ Frequency:	1800 RPM @ 60 HZ	IP Rating:	NONE
Voltage @ Frequency:	190.0 V @ 50 HZ	KVA Code:	M
	230.0 V @ 60 HZ	Lifting Lugs:	No Lifting Lugs
	380.0 V @ 50 HZ	Locked Bearing Indicator:	Locked Bearing
	460.0 V @ 60 HZ	Motor Lead Termination:	Flying Leads
XP Class and Group:	CLI GP C,D	Motor Type:	3512M
XP Division:	Division I	Mounting Arrangement:	F1
Agency Approvals:	UR	Power Factor:	69
	UL	Product Family:	General Purpose
	CSA	Pulley Face Code:	C-Face
Auxillary Box:	No Auxillary Box	Rodent Screen:	None
Auxillary Box Lead Termination:	None	RoHS Status:	ROHS NON-COMPLIANT

Base Indicator:	Rigid	Shaft Ground Indicator:	No Shaft Grounding
Bearing Grease Type:	Polyrex EM (-20F +300F)	Shaft Rotation:	Reversible
Blower:	None	Speed Code:	Single Speed
Constant Torque Speed Range:	6	Motor Standards:	NEMA
Current @ Voltage:	1.800 A @ 208.0 V	Starting Method:	Direct on line
	1.600 A @ 230.0 V	Thermal Device - Bearing:	None
	1.600 A @ 190.0 V	Thermal Device - Winding:	Normally Closed Thermostat
	.800 A @ 460.0 V	Vibration Sensor Indicator:	No Vibration Sensor
	.800 A @ 380.0 V	Winding Thermal 1:	None
Design Code:	B	Winding Thermal 2:	None
Drip Cover:	No Drip Cover	XP Temp Code:	T3C

Nameplate NP1401XPSL										
NO.					CC					
S/N					TEMP CODE	T3C				
SPEC.	35-0000-0301				INV.TYPE	PWM				
CAT.NO.	CDRX050544				C HP FR	60	C HP TO	90		
HP	.5//.33				CT HZ FROM	6	CT HZ TO	60		
VOLTS	230/460//190/380				VT HZ FROM	6	VT HZ TO	60		
AMPS	1.6/.8//1.6/.8				MAG CUR	1.2/0.6				
RPM	1740//1450				MX RPM	2700				
HZ	60//50	PH	3	CL	F	NOM.EFF.	80			
SER.F.	1.00	DES	B	SL HZ	2.0	WK2	0.07			
FRAME	56C	RATING	40C AMB-CONT							
	55C AMB @ 1.0 SF									
	1.15 SF SINEWAVE				NEMA MG-1 PT 5,IP55					

Parts List		
Part Number	Description	Quantity
SA373340	SA 35-0000-0301	1.000 EA
RA363135	RA 35-0000-0301	1.000 EA
LB1119N	WARNING LABEL	1.000 EA
LC0145B01	CONNECTION LABEL	1.000 EA
NP1401XPSL	SS XP INV UL CSA CC CL-I GP-C&D	1.000 EA
85XU0407S04	4X1/4 U DRIVE PIN STAINLESS	4.000 EA
85XU0407S04	4X1/4 U DRIVE PIN STAINLESS	2.000 EA
MN416A01	TAG-INSTAL-MAINT no wire (2100/bx) 4/22	1.000 EA
LB1359F	ALUM XP CAUTION LABEL	1.000 EA
MJ1000A02	GREASE, MOBIL POLYREX EM - 124047	0.050 LB
HA3104A06	THRUBOLT 5/16-18 X 8.50 OHIO ROD	4.000 EA
XY3118A12	5/16-18 HEX NUT DIRECTIONAL SERRATION	4.000 EA
35EP1700A62	FRONT END PLATE TENV XPNV, DRAINS	1.000 EA
HW5100A03	WAVY WASHER (W1543-017)	1.000 EA
HW4506A02	BREATHER/DRAIN-EXP PROOF-.125-27 NPTF AI	1.000 EA
HW3022E05	.125 DIA X .500 ROLLED SPRING PIN	1.000 EA
35EP1704A39	PUEP 205 BRG XP GRP C W/SLINGER, DRAIN	1.000 EA
HA2071A02	SLINGER ALUM (AUTO)	1.000 EA
80XN1032A04	10-32 X 1/4 SET SCREW	1.000 EA
84XN1032J20	SCREW, SOC 10-32 X 1 1/4"BMH4602	2.000 EA
HW4001A01	1/4 HX SOC PIPE PLG (F/S) ALLOY STEEL W/	2.000 EA
60XN1032A07	10-32 X .4375 TRUSS HEAD, TORX SERRATED	2.000 EA
HW4506A02	BREATHER/DRAIN-EXP PROOF-.125-27 NPTF AI	1.000 EA
HW3022E05	.125 DIA X .500 ROLLED SPRING PIN	1.000 EA

Parts List (continued)		
Part Number	Description	Quantity
35CB1005A01	CONDUIT BOX,MACH - GROUP "C" MTRS	1.000 EA
RM1020A41	O-RING, -150 BUNA-N, .103 CS X 2.862 ID	1.000 EA
11XW1032G06	10-32 X .38, TAPTITE II, HEX WSHR SLTD U	1.000 EA
HW3001B01	BRASS CUP WASHER, FOR #10 SCREW	1.000 EA
35CB1501A01	CONDUIT BOX LID, MACH. - GROUP "C" MTRS	1.000 EA
MG1500Y02	WILKOPON PRIMER YELLOW	0.022 GA
MG1025G29	WILKOFASST, 789.229, DARK CHARCOAL GRAY	0.022 GA
36PA1000	PKG GRP, PRINT PK1016A06	1.000 EA
HW2501D13	KEY, 3/16 SQ X 1.375	1.000 EA
HA7000A04	KEY RETAINER 0.625 DIA SHAFTS	1.000 EA

AC Induction Motor Performance Data

Record # 78050

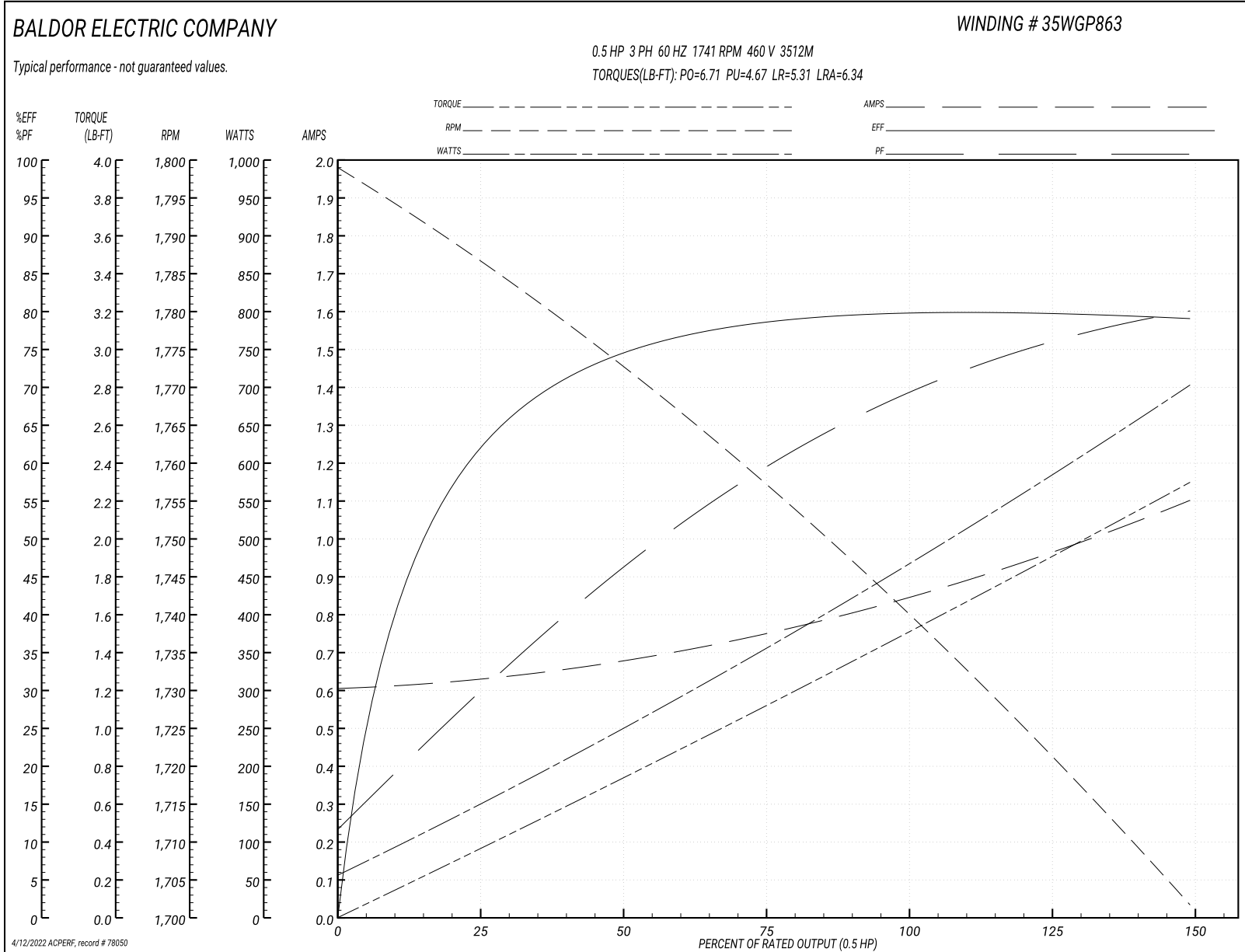
Typical performance - not guaranteed values

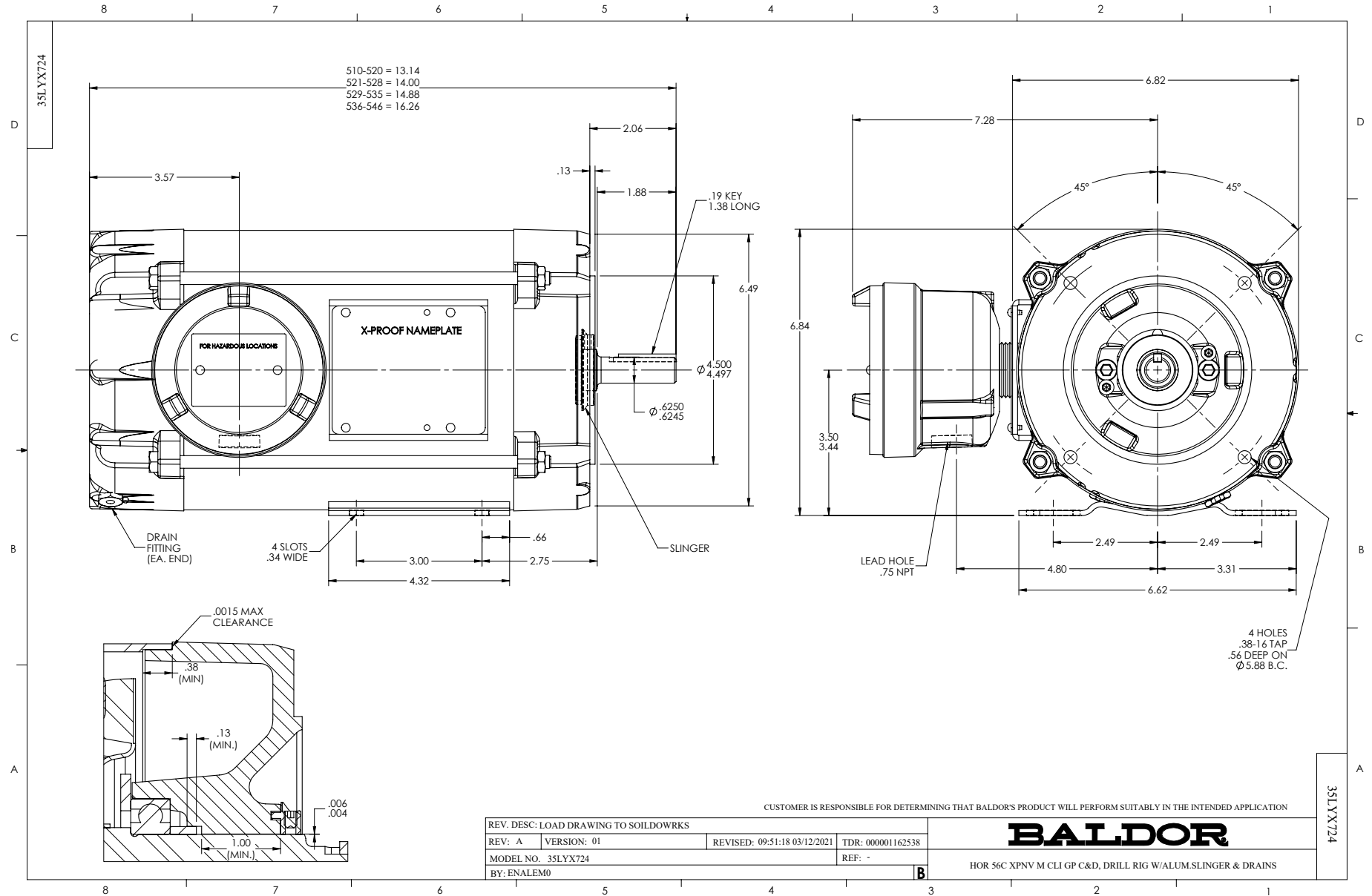
Winding: 35WGP863-R073		Type: 3512M		Enclosure: XPNV	
Nameplate Data			460 V, 60 Hz: High Voltage Connection		
Rated Output (HP)	.5//.3		Full Load Torque	1.49 LB-FT	
Volts	230/460//190/380		Start Configuration	direct on line	
Full Load Amps	1.6/.8//1.6/.8		Breakdown Torque	6.71 LB-FT	
R.P.M.	1740//1450		Pull-up Torque	4.67 LB-FT	
Hz	60//50	Phase	3	Locked-rotor Torque	5.31 LB-FT
NEMA Design Code	B	KVA Code	M	Starting Current	6.34 A
Service Factor (S.F.)	1		No-load Current	0.608 A	
NEMA Nom. Eff.	80	Power Factor	69	Line-line Res. @ 25°C	31.4 Ω
Rating - Duty	40C AMB-CONT		Temp. Rise @ Rated Load	54°C	
			Locked-rotor Power Factor	73.8	
			Rotor inertia	0.0709 lb-ft ²	

Load Characteristics 460 V, 60 Hz, 0.5 HP

% of Rated Load	25	50	75	100	125	150
Power Factor	28	45	59	69	75	80
Efficiency	59.4	73.1	78.5	79.9	80.1	78.8
Speed	1788	1774	1759	1741	1722	1702
Line amperes	0.624	0.669	0.744	0.844	0.957	1.1

Performance Graph at 460V, 60Hz, 0.5HP Typical performance - Not guaranteed values





CD0005

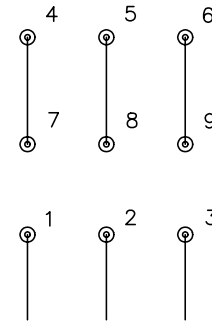


LOW VOLTAGE
(2Y)



LINE

HIGH VOLTAGE
(1Y)



LINE

NOTES:

1. INTERCHANGE ANY TWO LINE LEADS TO REVERSE ROTATION.
2. OPTIONAL THERMOSTATS ARE PROVIDED WHEN SPECIFIED.
3. ACTUAL NUMBER OF INTERNAL PARALLEL CIRCUITS MAY BE A MULTIPLE OF THOSE SHOWN ABOVE.
4. LEAD COLORS ARE OPTIONAL. LEADS MUST ALWAYS BE NUMBERED AS SHOWN.

REV. DESC: REVISE TO SHOW OPTIONAL COLORS			
REV. LTR: E	BY: JLP	REVISED: 01/19/99 10:15	TDR: 0171435
900000		FILE: AAA00005140	MDL: -
		MTL: -	

BALDOR ELECTRIC Co.

3PH, DV, 9 LEADS

CD0005

Marketing maintained PDF of MN416:

<http://www.baldor.com/support/Literature/Load.ashx/MN416?ManNumber=MN416>