

**BALDOR® • RELIANCE **

**Product Information Packet**

**CDRX14224T-5**

**2HP,3490RPM,3PH,60HZ,145TC,XPFC,F1**

Part Detail							
Revision:	-	Status:	PRD/A	Change #:		Proprietary:	No
Type:	AC	Elec. Spec:	35WGM831	CD Diagram:	CD0006	Mfg Plant:	
Mech. Spec:		Layout:	35LYX732	Poles:	02	Created Date:	07-22-2019
Base:		Eff. Date:	07-23-2019	Leads:	3#18		

Specs			
Catalog Number:	CDRX14224T-5	Insulation Class:	F
Enclosure:	XPFC	Inverter Code:	Inverter Duty
Frame:	145TC	IP Rating:	NONE
Frame Material:	Steel	KVA Code:	M
Output @ Frequency:	2.000 HP @ 60 HZ	Lifting Lugs:	No Lifting Lugs
Synchronous Speed @ Frequency:	3600 RPM @ 60 HZ	Locked Bearing Indicator:	Locked Bearing
Voltage @ Frequency:	575.0 V @ 60 HZ	Motor Lead Termination:	Flying Leads
XP Class and Group:	CLI GP C,D	Motor Type:	3526M
XP Division:	Division I	Mounting Arrangement:	F1
Agency Approvals:	CSA	Power Factor:	88
	CSA EEV	Product Family:	General Purpose
	UR	Pulley Face Code:	C-Face
Auxillary Box:	No Auxillary Box	Rodent Screen:	None
Auxillary Box Lead Termination:	None	RoHS Status:	ROHS NON-COMPLIANT
Base Indicator:	Rigid	Shaft Ground Indicator:	No Shaft Grounding
Bearing Grease Type:	Polyrex EM (-20F +300F)	Shaft Rotation:	Reversible
Blower:	None	Speed Code:	Single Speed
Constant Torque Speed Range:	6	Motor Standards:	NEMA

<b>Current @ Voltage:</b>	2.000 A @ 575.0 V	<b>Starting Method:</b>	Direct on line
<b>Design Code:</b>	B	<b>Thermal Device - Bearing:</b>	None
<b>Drip Cover:</b>	No Drip Cover	<b>Thermal Device - Winding:</b>	Normally Closed Thermostat
<b>Duty Rating:</b>	CONT	<b>Vibration Sensor Indicator:</b>	No Vibration Sensor
<b>Electrically Isolated Bearing:</b>	Not Electrically Isolated	<b>Winding Thermal 1:</b>	None
<b>Feedback Device:</b>	NO FEEDBACK	<b>Winding Thermal 2:</b>	None
<b>Heater Indicator:</b>	No Heater	<b>XP Temp Code:</b>	T3C

Nameplate NP1401XPSLEV									
NO.					CC	010A			
S/N					TEMP CODE	T3C			
SPEC.	35-0000-0268				INV.TYPE	PWM			
CAT.NO.	CDRX14224T-5				C HP FR	60	C HP TO	90	
HP	2				CT HZ FROM	6	CT HZ TO	60	
VOLTS	575				VT HZ FROM	6	VT HZ TO	60	
AMPS	2				MAG CUR	.8			
RPM	3490				MX RPM	5400			
HZ	60	PH	3	CL	F	NOM.EFF.	85.5		
SER.F.	1.00	DES	B	SL HZ	1.8	WK2	0.07		
FRAME	145TC	RATING	40C AMB-CONT						
	1.15 SF SINEWAVE								
	55C AMB @ 1.0SF				NEMA MG-1 PT 5,IP55				

Parts List		
Part Number	Description	Quantity
SA372063	SA 35-0000-0268	1.000 EA
RA361787	RA 35-0000-0268	1.000 EA
LB1119N	WARNING LABEL	1.000 EA
LC0006	CONNECTION LABEL	1.000 EA
NP1401XPSLEV	SS XP INV UL CSA-EEV CC CL-I GP-C&D	1.000 EA
85XU0407S04	4X1/4 U DRIVE PIN STAINLESS	2.000 EA
85XU0407S04	4X1/4 U DRIVE PIN STAINLESS	4.000 EA
MN416A01	TAG-INSTAL-MAINT no wire (2100/bx) 4/22	1.000 EA
LB1359F	ALUM XP CAUTION LABEL	1.000 EA
35FH4005A01SP	IEC FH NO GREASER W/PRIMED	1.000 EA
51XW1032A06	10-32 X .38, TAPTITE II, HEX WSHR SLTD S	3.000 EA
34FN3002B01	EXTERNAL FAN, PLASTIC, .637/.639 HUB W/	1.000 EA
51XB0818A12	8-18X3/4 HXWSSLD SERTYB	1.000 EA
MJ1000A02	GREASE, MOBIL POLYREX EM - 124047	0.050 LB
HA3104A08	THRUBOLT-5/16-18X9.375 X X	4.000 EA
XY3118A12	5/16-18 HEX NUT DIRECTIONAL SERRATION	4.000 EA
35EP3700B07	FR ENDPLATE, XPFC - GROUP C, W/ DRAIN	1.000 EA
HW5100A03	WAVY WASHER (W1543-017)	1.000 EA
HW4506A02	BREATHER/DRAIN-EXP PROOF-.125-27 NPTF AI	1.000 EA
HW3022E05	.125 DIA X .500 ROLLED SPRING PIN	1.000 EA
HA2009A89	SPACER FOR XP MTRS - 205 BRG.	1.000 EA
35EP1704A40	PUEP 205 BRG XP,GP C,ALUM SLINGER,DRAIN	1.000 EA
HA2071A02	SLINGER ALUM (AUTO)	1.000 EA
80XN1032A04	10-32 X 1/4 SET SCREW	1.000 EA

<b>Parts List (continued)</b>		
<b>Part Number</b>	<b>Description</b>	<b>Quantity</b>
84XN1032J20	SCREW, SOC 10-32 X 1 1/4"BMH4602	2.000 EA
HW4001A01	1/4 HX SOC PIPE PLG (F/S) ALLOY STEEL W/	2.000 EA
60XN1032A07	10-32 X .4375 TRUSS HEAD, TORX SERRATED	2.000 EA
HW4506A02	BREATHER/DRAIN-EXP PROOF-.125-27 NPTF AI	1.000 EA
HW3022E05	.125 DIA X .500 ROLLED SPRING PIN	1.000 EA
35CB1005A01	CONDUIT BOX,MACH - GROUP "C" MTRS	1.000 EA
RM1020A41	O-RING, -150 BUNA-N, .103 CS X 2.862 ID	1.000 EA
11XW1032G06	10-32 X .38, TAPTITE II, HEX WSHR SLTD U	1.000 EA
HW3001B01	BRASS CUP WASHER, FOR #10 SCREW	1.000 EA
35CB1501A01	CONDUIT BOX LID, MACH. - GROUP "C" MTRS	1.000 EA
MG1500Y02	WILKOPON PRIMER YELLOW	0.022 GA
MG1025G29	WILKOFASST, 789.229, DARK CHARCOAL GRAY	0.022 GA
36PA1001	PKG GRP, PRINT PK1017A06	1.000 EA
HW2501D13	KEY, 3/16 SQ X 1.375	1.000 EA
HA7000A01	KEY RETAINER 7/8" DIA SHAFT	1.000 EA

**AC Induction Motor Performance Data**

Record # 77528

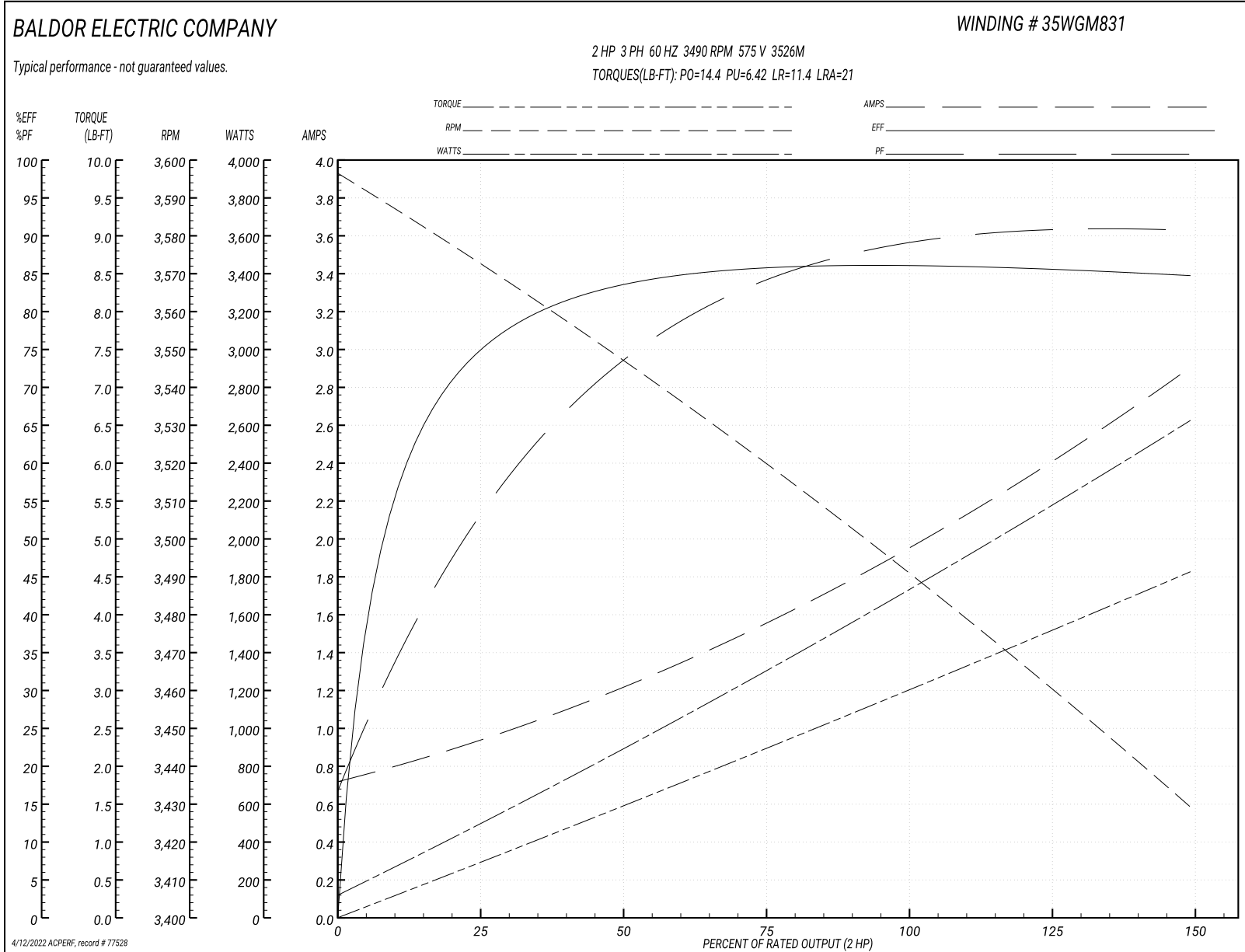
Typical performance - not guaranteed values

<b>Winding:</b> 35WGM831-R021		<b>Type:</b> 3526M		<b>Enclosure:</b> XPFC	
<b>Nameplate Data</b>			<b>575 V, 60 Hz: Single Voltage Motor</b>		
<b>Rated Output (HP)</b>	2	<b>Full Load Torque</b>	2.98 LB-FT		
<b>Volts</b>	575	<b>Start Configuration</b>	direct on line		
<b>Full Load Amps</b>	2	<b>Breakdown Torque</b>	14.4 LB-FT		
<b>R.P.M.</b>	3490	<b>Pull-up Torque</b>	6.42 LB-FT		
<b>Hz</b>	60	<b>Locked-rotor Torque</b>	11.4 LB-FT		
<b>NEMA Design Code</b>	B	<b>Starting Current</b>	21 A		
<b>Service Factor (S.F.)</b>	1	<b>No-load Current</b>	0.745 A		
<b>NEMA Nom. Eff.</b>	85.5	<b>Line-line Res. @ 25°C</b>	10.7 Ω		
<b>Rating - Duty</b>	40C AMB-CONT	<b>Temp. Rise @ Rated Load</b>	44°C		
		<b>Locked-rotor Power Factor</b>	50.1		
		<b>Rotor inertia</b>	0.0719 LB-FT <sup>2</sup>		

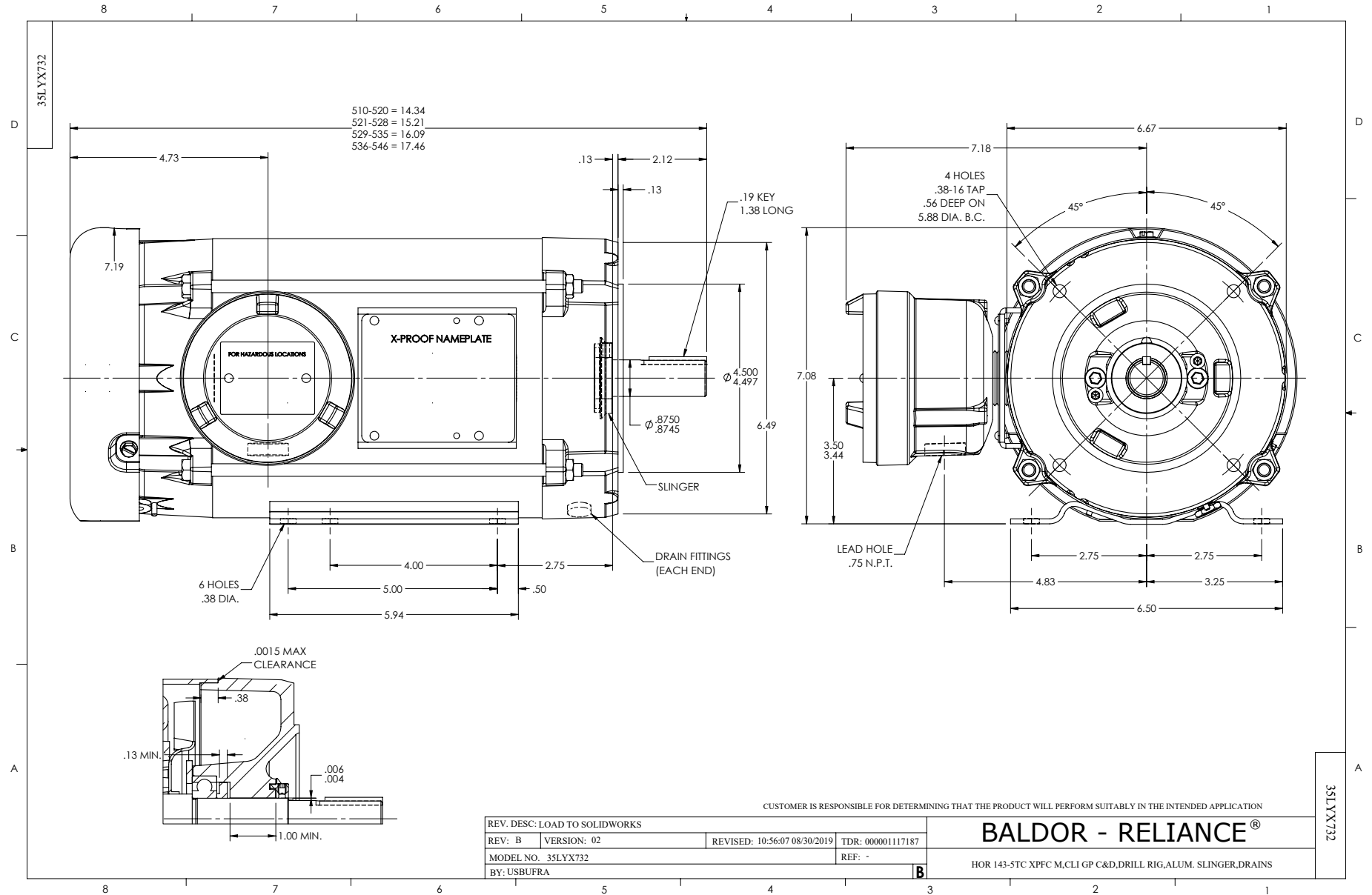
**Load Characteristics 575 V, 60 Hz, 2 HP**

<b>% of Rated Load</b>	<b>25</b>	<b>50</b>	<b>75</b>	<b>100</b>	<b>125</b>	<b>150</b>
<b>Power Factor</b>	54	74	84	88	90	91
<b>Efficiency</b>	73.2	83.6	85.5	86.3	85.6	84.6
<b>Speed</b>	3572	3547	3521	3493	3463	3428
<b>Line amperes</b>	0.895	1.19	1.55	1.96	2.4	2.89

Performance Graph at 575V, 60Hz, 2.0HP Typical performance - Not guaranteed values







CD0006



NOTES:

1. THREE LEAD MOTOR MAY BE EITHER WYE CONNECTED OR DELTA CONNECTED.
2. INTERCHANGE ANY TWO LINE LEADS TO REVERSE ROTATION.
3. OPTIONAL THERMOSTATS ARE PROVIDED WHEN SPECIFIED.
4. ACTUAL NUMBER OF INTERNAL PARALLEL CIRCUITS MAY VARY.
5. LEAD COLORS ARE OPTIONAL. LEADS MUST BE NUMBERED AS SHOWN.

CD0006

REV. DESC: ADD CLASS CONN00000007		
REV. LTR: E	VERSION: 01	TDR: 000001099922
FILE: \AAA\00005\141	REVISED: 10:24:49 02/19/2019	BY: ENBRIRO
MTL: -	© □	

**BALDOR - RELIANCE®**

3PH, SV, 3 LEADS, WYE OR DELTA CONNECTED

SH 1 of 1

Marketing maintained PDF of MN416:

<http://www.baldor.com/support/Literature/Load.ashx/MN416?ManNumber=MN416>