

BALDOR® • RELIANCE 

Product Information Packet

CDRX18324T

3//2HP,3470//2890RPM,3PH,60//50HZ,182TC

Part Detail							
Revision:	-	Status:	PRD/A	Change #:		Proprietary:	No
Type:	AC	Elec. Spec:	06WGY471	CD Diagram:	CD0005	Mfg Plant:	
Mech. Spec:		Layout:	06LYH515	Poles:	02	Created Date:	05-29-2019
Base:		Eff. Date:	05-31-2019	Leads:	9#16		

Specs			
Catalog Number:	CDRX18324T	Duty Rating:	CONT
Enclosure:	XPFC	Electrically Isolated Bearing:	Not Electrically Isolated
Frame:	182TC	Feedback Device:	NO FEEDBACK
Frame Material:	Iron	Heater Indicator:	No Heater
Output @ Frequency:	2.000 HP @ 50 HZ	Insulation Class:	F
	3.000 HP @ 60 HZ	Inverter Code:	Inverter Duty
Synchronous Speed @ Frequency:	3600 RPM @ 60 HZ	IP Rating:	NONE
Voltage @ Frequency:	230.0 V @ 60 HZ	KVA Code:	K
	190.0 V @ 50 HZ	Lifting Lugs:	Standard Lifting Lugs
	380.0 V @ 50 HZ	Locked Bearing Indicator:	Locked Bearing
	460.0 V @ 60 HZ	Motor Lead Termination:	Flying Leads
XP Class and Group:	CLI GP C,D	Motor Type:	0618M
XP Division:	Division I	Mounting Arrangement:	F1
Agency Approvals:	UR	Power Factor:	89
	CSA EEV	Product Family:	General Purpose
	CSA	Pulley Face Code:	C-Face
Auxillary Box:	No Auxillary Box	Rodent Screen:	None
Auxillary Box Lead Termination:	None	RoHS Status:	ROHS NON-COMPLIANT

Base Indicator:	Rigid	Shaft Ground Indicator:	No Shaft Grounding
Bearing Grease Type:	Polyrex EM (-20F +300F)	Shaft Rotation:	Reversible
Blower:	None	Speed Code:	Single Speed
Constant Torque Speed Range:	6	Motor Standards:	NEMA
Current @ Voltage:	7.600 A @ 230.0 V	Starting Method:	Direct on line
	6.400 A @ 190.0 V	Thermal Device - Bearing:	None
	3.800 A @ 460.0 V	Thermal Device - Winding:	Normally Closed Thermostat
	3.200 A @ 380.0 V	Vibration Sensor Indicator:	No Vibration Sensor
Design Code:	B	Winding Thermal 1:	None
Drip Cover:	No Drip Cover	Winding Thermal 2:	None
		XP Temp Code:	T3C

Nameplate NP1401XPSLEV											
NO.						CC	010A				
S/N						TEMP CODE	T3C				
SPEC.	06-0000-0132					INV.TYPE	PWM				
CAT.NO.	CDRX18324T					C HP FR	60		C HP TO	90	
HP	3//2					CT HZ FROM	6		CT HZ TO	60	
VOLTS	230/460//190/380					VT HZ FROM	6		VT HZ TO	60	
AMPS	7.6/3.8//6.4/3.2					MAG CUR	3/1.5				
RPM	3470//2890					MX RPM	5400				
HZ	60//50		PH	3		CL	B		NOM.EFF.	86.5	
SER.F.	1.00		DES	B		SL HZ	2		WK2	0.0795	
FRAME	182TC		RATING	40C AMB-CONT							
	1.15 SF SINEWAVE										
	55C AMB @ 1.0SF					NEMA MG-1 PT 5,IP55					

Parts List		
Part Number	Description	Quantity
SA370103	SA 06-0000-0132	1.000 EA
RA359737	RA 06-0000-0132	1.000 EA
LB1115N	LABEL,LIFTING DEVICE (ON ROLLS)	1.000 EA
LB1119N	WARNING LABEL	1.000 EA
LC0145B01	CONNECTION LABEL	1.000 EA
NP1401XPSLEV	SS XP INV UL CSA-EEV CC CL-I GP-C&D	1.000 EA
85XU0407S04	4X1/4 U DRIVE PIN STAINLESS	2.000 EA
85XU0407S04	4X1/4 U DRIVE PIN STAINLESS	4.000 EA
MN416A01	TAG-INSTAL-MAINT no wire (2100/bx) 4/22	1.000 EA
LB1081F	ALUM XP CAUTION LABEL (FS PLANT ONLY-	1.000 EA
HW3201A05	3/8-16 EYEBOLT	1.000 EA
06FH1003A06G	FAN COVER, X-PROOF--MACHINING W/GRAY EPO	1.000 EA
51XN1032A14	10-32 X 0.875 HX WS SL SR	4.000 EA
34FN3002B02	EXTERNAL FAN, PLASTIC, .905/.907 HUB W/	1.000 EA
51XB0818A12	8-18X3/4 HXWSSLD SERTYB	1.000 EA
MJ1000A02	GREASE, MOBIL POLYREX EM - 124047	0.050 LB
06EP1709A07G	FRONT XPFC 205 BRG GRP C W/ DRAIN (HW450	1.000 EA
10XN3118K20	5/16-18 X 1 1/4 GRADE 5 STEEL ZC PLATED	4.000 EA
HW1001A31	LOCKWASHER 5/16, ZINC PLT.591 OD, .319 I	1.000 EA
HW5100A05	WVY WSHR F/205 & 304 BRGS	1.000 EA
HW4500A01	1641B(ALEMITE)400 UNIV, GREASE FITT	1.000 EA
HW4500A19	1/4-28X1/4 SLOTTED PLUG F/S	1.000 EA
HW4506A02	BREATHER/DRAIN-EXP PROOF-.125-27 NPTF AI	1.000 EA
HW3022E05	.125 DIA X .500 ROLLED SPRING PIN	1.000 EA

Parts List (continued)		
Part Number	Description	Quantity
06EP1707A17G	PUEP 182-4TC M GRP-C DRAIN(HW4506A02), G	1.000 EA
HW1001A31	LOCKWASHER 5/16, ZINC PLT.591 OD, .319 I	4.000 EA
10XN3118K20	5/16-18 X 1 1/4 GRADE 5 STEEL ZC PLATED	4.000 EA
HA2071A01	SLINGER ALUM (AUTO)	1.000 EA
80XN1032A06	10-32 X 3/8 SET SC HEX SOCK	2.000 EA
51XN1032A20	10-32 X 1 1/4 HX WS SL SR	2.000 EA
HW4001A01	1/4 HX SOC PIPE PLG (F/S) ALLOY STEEL W/	2.000 EA
60XN1032A07	10-32 X .4375 TRUSS HEAD, TORX SERRATED	2.000 EA
HW4506A02	BREATHER/DRAIN-EXP PROOF-.125-27 NPTF AI	1.000 EA
HW3022E05	.125 DIA X .500 ROLLED SPRING PIN	1.000 EA
07CB1000A02G	CONDUIT BOX, MODEL 306,EXP. PROOF,W/MG10	1.000 EA
84XN2520J16	1/4-20 X 1 SOC HD CAP SCREW	4.000 EA
HW1001A25	LOCKWASHER 1/4, ZINC PLT .493 OD, .255 I	4.000 EA
WD1000B17	T&B CX35TN OR L35P TERMINAL LUG	1.000 EA
11XW1032G06	10-32 X .38, TAPTITE II, HEX WSHR SLTD U	1.000 EA
07CB1502A01G	CONDUIT BOX LID MACH (DUCTILE IRON) GRAY	1.000 EA
84XN2520J16	1/4-20 X 1 SOC HD CAP SCREW	4.000 EA
HW1001A25	LOCKWASHER 1/4, ZINC PLT .493 OD, .255 I	4.000 EA
MG1500Y02	WILKOPON PRIMER YELLOW	0.022 GA
MG1025G29	WILKOFASST, 789.229, DARK CHARCOAL GRAY	0.022 GA
G0PA1000	PKG GRP, PRINT PK1026A06	1.000 EA
HW2501E17	.250 SQUARE X 1.875 LONG LOW CARBON STEE	1.000 EA
HA7000A02	KEY RETAINER RING, 1 1/8 DIA, 1 3/8 DIA	1.000 EA

AC Induction Motor Performance Data

Record # 69211

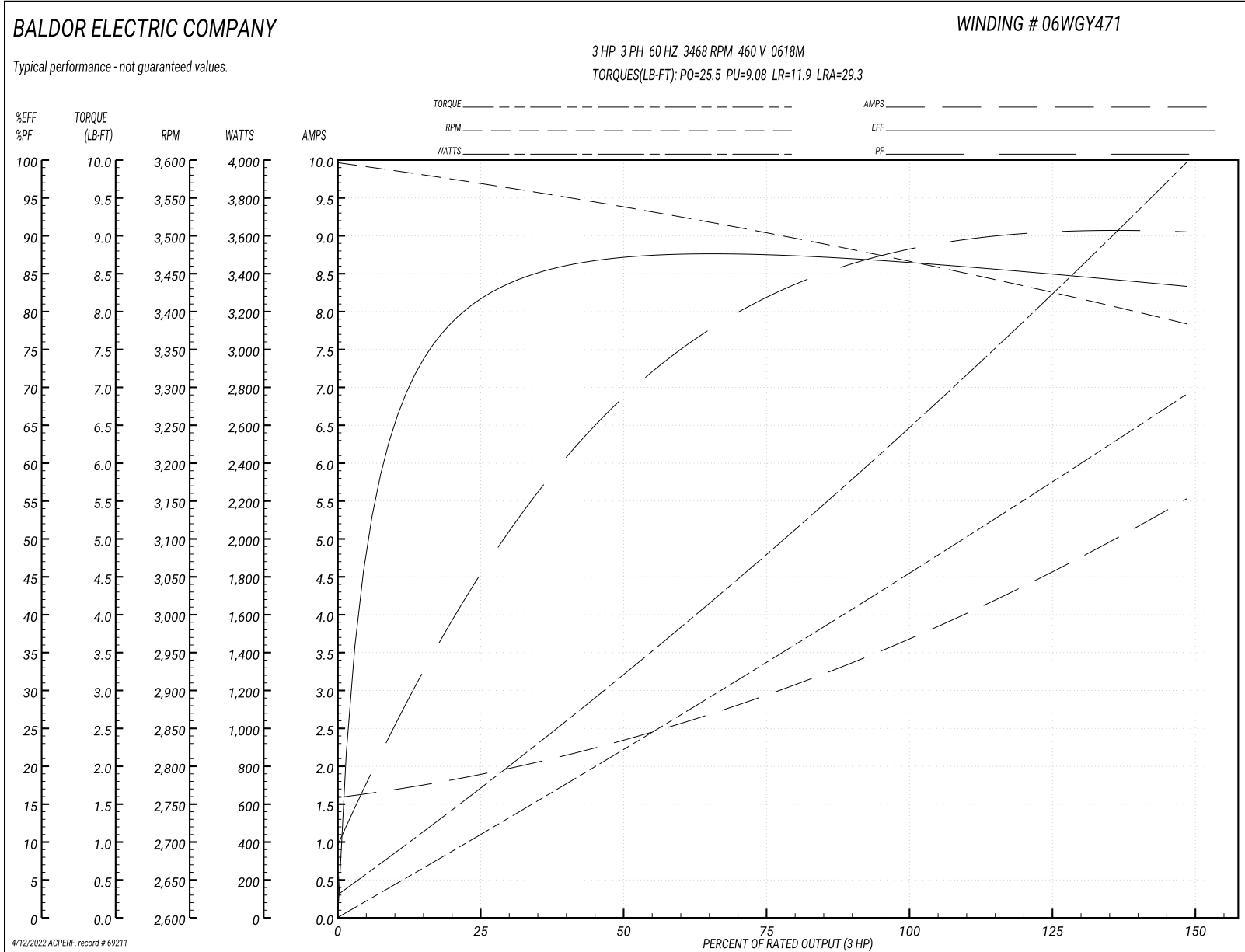
Typical performance - not guaranteed values

Winding: 06WGY471-R002		Type: 0618M	Enclosure: TEFC	
Nameplate Data			460 V, 60 Hz: High Voltage Connection	
Rated Output (HP)	3//2	Full Load Torque	4.51 LB-FT	
Volts	230/460//190/380	Start Configuration	direct on line	
Full Load Amps	7.6/3.8//6.4/3.2	Breakdown Torque	25.5 LB-FT	
R.P.M.	3470//2890	Pull-up Torque	9.08 LB-FT	
Hz	60//50 Phase	Locked-rotor Torque	11.9 LB-FT	
NEMA Design Code	B KVA Code	Starting Current	29.3 A	
Service Factor (S.F.)	1	No-load Current	1.64 A	
NEMA Nom. Eff.	86.5 Power Factor	Line-line Res. @ 25°C	6.24 Ω	
Rating - Duty	40C AMB-CONT	Temp. Rise @ Rated Load	45°C	
S.F. Amps		Temp. Rise @ S.F. Load	56°C	
		Locked-rotor Power Factor	59.2	
		Rotor inertia	0.0795 LB-FT ²	

Load Characteristics 460 V, 60 Hz, 3 HP

% of Rated Load	25	50	75	100	125	150
Power Factor	47	70	81	87	90	91
Efficiency	81.1	86.6	87.4	86.6	85.2	83.1
Speed	3568	3538	3505	3468	3430	3382
Line amperes	1.82	2.29	2.94	3.71	4.53	5.5

Performance Graph at 460V, 60Hz, 3.0HP Typical performance - Not guaranteed values



AC Induction Motor Performance Data

Record # 69212

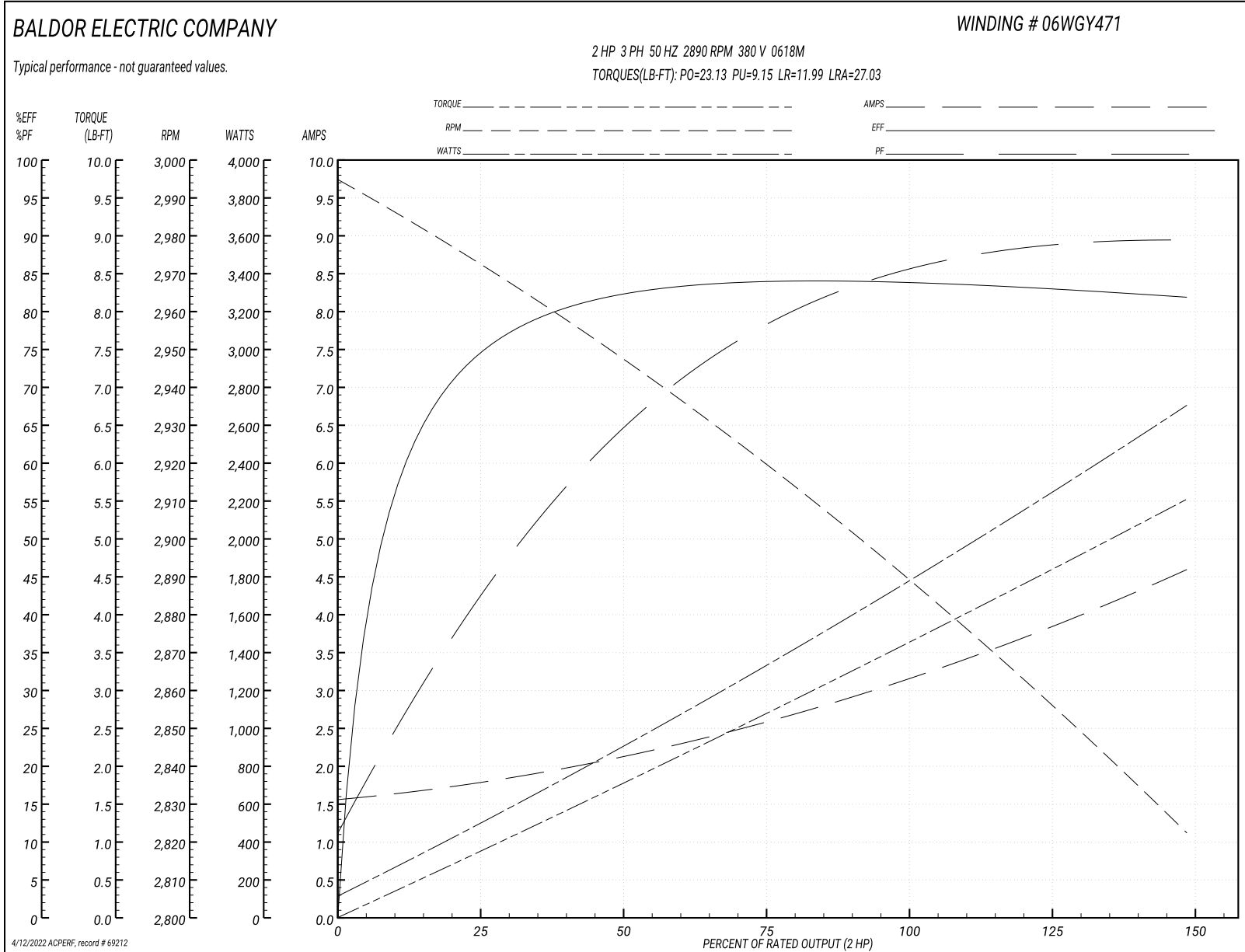
Typical performance - not guaranteed values

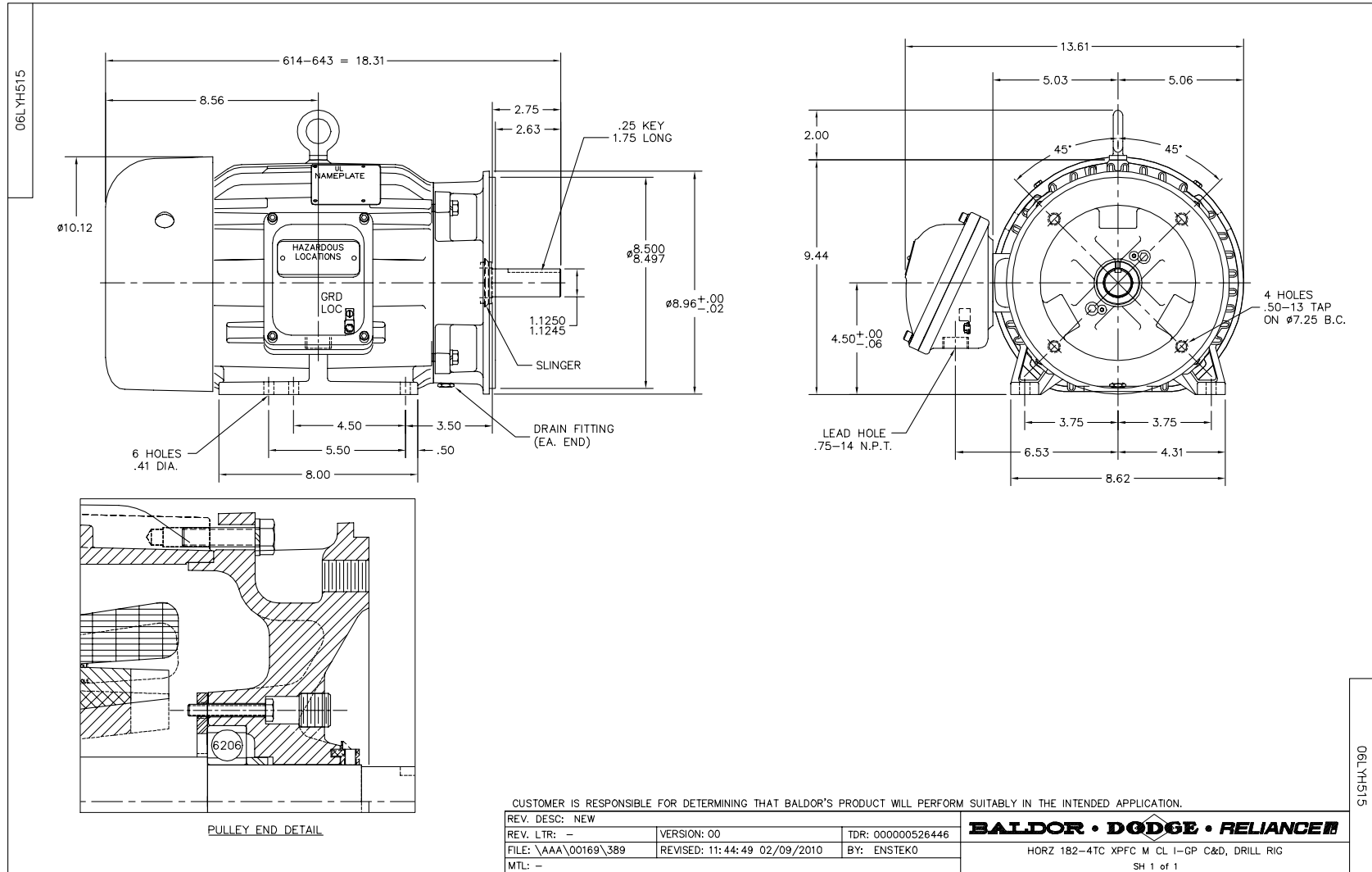
Winding: 06WGY471-R002		Type: 0618M	Enclosure: TEFC
Nameplate Data		380 V, 50 Hz: High Voltage Connection	
Rated Output (HP)	3//2	Full Load Torque	3.61 LB-FT
Volts	230/460//190/380	Start Configuration	direct on line
Full Load Amps	7.6/3.8//6.4/3.2	Breakdown Torque	23.13 LB-FT
R.P.M.	3470//2890	Pull-up Torque	9.15 LB-FT
Hz	60//50 Phase	Locked-rotor Torque	11.99 LB-FT
NEMA Design Code	B KVA Code	Starting Current	27.03 A
Service Factor (S.F.)	1	No-load Current	1.6 A
NEMA Nom. Eff.	86.5 Power Factor	Line-line Res. @ 25°C	6.24 Ω
Rating - Duty	40C AMB-CONT	Temp. Rise @ Rated Load	36°C
S.F. Amps		Temp. Rise @ S.F. Load	43°C
		Locked-rotor Power Factor	65.7
		Rotor inertia	0.0795 LB-FT ²

Load Characteristics 380 V, 50 Hz, 2 HP

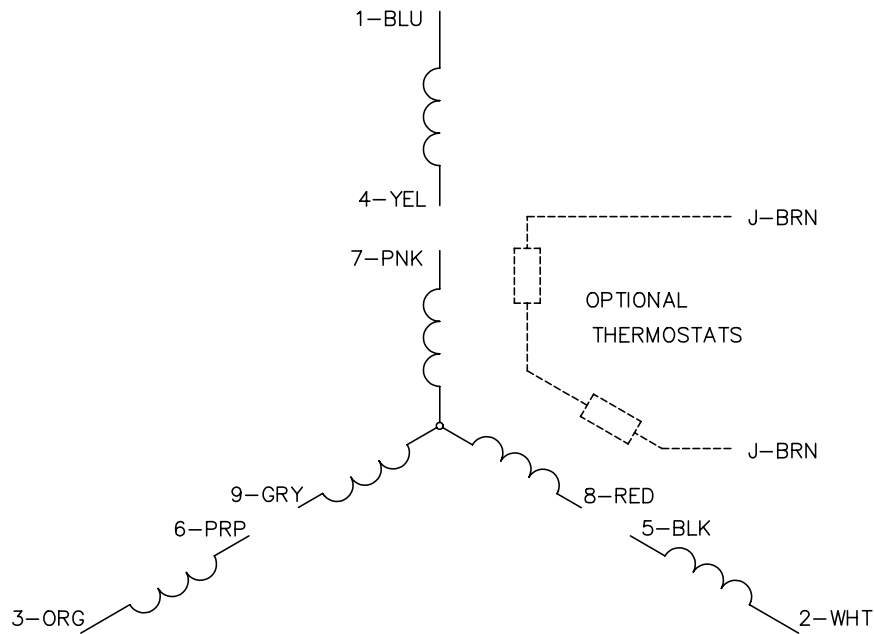
% of Rated Load	25	50	75	100	125	150
Power Factor	44	65	78	84	88	90
Efficiency	73.4	81.5	84.1	84.1	83.2	81.7
Speed	2972	2947	2921	2890	2860	2821
Line amperes	1.73	2.09	2.58	3.18	3.82	4.57

Performance Graph at 380V, 50Hz, 2.0HP Typical performance - Not guaranteed values

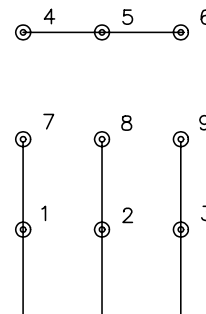




CD0005

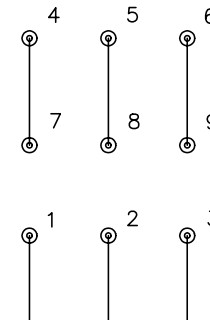


LOW VOLTAGE
(2Y)



LINE

HIGH VOLTAGE
(1Y)



LINE

NOTES:

1. INTERCHANGE ANY TWO LINE LEADS TO REVERSE ROTATION.
2. OPTIONAL THERMOSTATS ARE PROVIDED WHEN SPECIFIED.
3. ACTUAL NUMBER OF INTERNAL PARALLEL CIRCUITS MAY BE A MULTIPLE OF THOSE SHOWN ABOVE.
4. LEAD COLORS ARE OPTIONAL. LEADS MUST ALWAYS BE NUMBERED AS SHOWN.

REV. DESC: REVISE TO SHOW OPTIONAL COLORS			
REV. LTR: E	BY: JLP	REVISED: 01/19/99 10:15	TDR: 0171435
900000		FILE: AAA00005140	MDL: -
		MTL: -	

BALDOR ELECTRIC Co.

3PH, DV, 9 LEADS

CD0005

Marketing maintained PDF of MN416:

<http://www.baldor.com/support/Literature/Load.ashx/MN416?ManNumber=MN416>