

BALDOR® • RELIANCE 

Product Information Packet

CDRX32364T

30HP, 1180//980RPM, 3PH, 60/50HZ, 326TC, XPFC

Part Detail							
Revision:	E	Status:	PRD/A	Change #:		Proprietary:	No
Type:	AC	Elec. Spec:	12WGY812	CD Diagram:	CD0005	Mfg Plant:	
Mech. Spec:		Layout:	12LYT021	Poles:	06	Created Date:	06-04-2019
Base:		Eff. Date:	08-31-2020	Leads:	9#8		

Specs			
Catalog Number:	CDRX32364T	Electrically Isolated Bearing:	Not Electrically Isolated
Enclosure:	XPFC	Feedback Device:	NO FEEDBACK
Frame:	326TC	Heater Indicator:	No Heater
Frame Material:	Iron	Insulation Class:	F
Output @ Frequency:	25.000 HP @ 50 HZ	Inverter Code:	Inverter Duty
	30.000 HP @ 60 HZ	IP Rating:	NONE
Synchronous Speed @ Frequency:	1200 RPM @ 60 HZ	KVA Code:	H
Voltage @ Frequency:	380.0 V @ 50 HZ	Lifting Lugs:	Standard Lifting Lugs
	460.0 V @ 60 HZ	Locked Bearing Indicator:	Locked Bearing
	190.0 V @ 50 HZ	Motor Lead Termination:	Flying Leads
	230.0 V @ 60 HZ	Motor Type:	1264M
XP Class and Group:	CLI GP C,D	Mounting Arrangement:	F1
XP Division:	Division I	Power Factor:	78
Agency Approvals:	UR	Product Family:	Hazardous Location Motor
	CSA EEV	Pulley Face Code:	C-Face
	CSA	Rodent Screen:	None
Auxillary Box:	No Auxillary Box	RoHS Status:	ROHS NON-COMPLIANT
Auxillary Box Lead Termination:	None	Shaft Ground Indicator:	No Shaft Grounding

Base Indicator:	Rigid	Shaft Rotation:	Reversible
Bearing Grease Type:	Polyrex EM (-20F +300F)	Speed Code:	Single Speed
Blower:	None	Motor Standards:	NEMA
Constant Torque Speed Range:	6	Starting Method:	Direct on line
Current @ Voltage:	78.000 A @ 230.0 V	Thermal Device - Bearing:	None
	39.000 A @ 460.0 V	Thermal Device - Winding:	Normally Closed Thermostat
Design Code:	A	Vibration Sensor Indicator:	No Vibration Sensor
Drip Cover:	No Drip Cover	Winding Thermal 1:	None
Duty Rating:	CONT	Winding Thermal 2:	None
		XP Temp Code:	T3C

Nameplate NP1401XPSLEV											
NO.						CC	010A				
S/N						TEMP CODE	T3C				
SPEC.	12-0000-0744					INV.TYPE	PWM				
CAT.NO.	CDRX32364T					C HP FR	60		C HP TO	90	
HP	30//25					CT HZ FROM	6		CT HZ TO	60	
VOLTS	230/460//190/380					VT HZ FROM	6		VT HZ TO	60	
AMPS	78/39					MAG CUR	34.4/17.2				
RPM	1180//980					MX RPM	1800				
HZ	60//50		PH	3		CL	F		NOM.EFF.	93	
SER.F.	1.00		DES	A		SL HZ	1		WK2	12.2	
FRAME	326TC		RATING	40C AMB-CONT							
	55C AMB @ 1.0 SF, 60C RISE										
	1.15SF ON SINEWAVE					NEMA MG-1 PT.5,IP55					

Parts List		
Part Number	Description	Quantity
SA370388	SA 12-0000-0744	1.000 EA
RA360037	RA 12-0000-0744	1.000 EA
LB1115N	LABEL,LIFTING DEVICE (ON ROLLS)	1.000 EA
LC0005E01	SPL CONN.DIA./WARN.LABEL(LC0005/LB1119)	1.000 EA
LB1417	LABEL CARTON 6X4 PERFORATED BLANK ROLLS	1.000 EA
NP1401XPSLEV	SS XP INV UL CSA-EEV CC CL-I GP-C&D	1.000 EA
85XU0407S04	4X1/4 U DRIVE PIN STAINLESS	4.000 EA
85XU0407S04	4X1/4 U DRIVE PIN STAINLESS	2.000 EA
MN416A01	TAG-INSTAL-MAINT no wire (2100/bx) 4/22	1.000 EA
LB1081C	ALUM XP CAUTION LABEL (COL PLANT ONLY-	1.000 EA
12FH1001A07P	FAN COVER, MACH W/EPOXY PRIMER & SLOT FO	1.000 EA
HW1001A31	LOCKWASHER 5/16, ZINC PLT.591 OD, .319 I	3.000 EA
10XN3118K12	5/16-18 X .75 GRADE 5, ZINC PLATED	3.000 EA
09FN3001B03SP	EXTERNAL FAN, PLASTIC (COMES W/SCREW FRO	1.000 EA
HW2500A25	WOODRUFF KEY USA #1008 #BLOW CARBON STEE	1.000 EA
MJ1000A02	GREASE, MOBIL POLYREX EM - 124047	0.200 LB
12EP1705A34PP15	FREP MACH. 312 W/EPOXY PRIMER & PAINT	1.000 EA
HA3051A03	1/2-13X2.75 BLT GR8 1.75 TO E NC F/S	4.000 EA
HA2067A02	SLINGER ALUM (AUTO)	1.000 EA
HW1001A50	LOCKWASHER 1/2, ZINC PLT.,.879 OD, .509 I	4.000 EA
HA2067A01	ALUM SLINGER (AUTO)	1.000 EA
80XN1032A07	SET SCREW, HEX XOCK, ZN	2.000 EA
HW5100A13	W4627-047 WVY WSHER	1.000 EA
HA4017A03	.125 X 1.75 GREASE EXT (F/S)	1.000 EA

Parts List (continued)		
Part Number	Description	Quantity
HA4017A08	.125X3.50 GREASER EXTEN.	1.000 EA
HW4019A01	PIPE COUPLING 1/8 NPT,STEEL,ZINC COATING	1.000 EA
HA4051A00	PLASTIC CAP FOR GREASE FITTING	1.000 EA
HW4500A21	1618BALEMITE FITTING 825 UNIVERSAL	1.000 EA
HW4500A17	317400 ALEMITE GREASE RELIEF	1.000 EA
HW4505A02	BREATHER/DRAIN-EXP PROOF-.250-18 PTF AIS	1.000 EA
HW3023E06	.125 X .625 SPIRAL SPRING PIN	1.000 EA
12EP1707A11P	FACE MTD. EP XPFC, W/DRN HW4505A02 W/PRI	1.000 EA
HW1001A50	LOCKWASHER 1/2, ZINC PLT.,.879 OD, .509 I	4.000 EA
HA3051A03	1/2-13X2.75 BLT GR8 1.75 TO E NC F/S	4.000 EA
80XN1032A10	10-32 X 5/8 SET SC HEX SOCK	2.000 EA
10XN3118K40	5/16-18 X 2.75" HEX HD, GRADE 5	4.000 EA
HW1001A31	LOCKWASHER 5/16, ZINC PLT.591 OD, .319 I	4.000 EA
HA4051A00	PLASTIC CAP FOR GREASE FITTING	1.000 EA
HW4500A03	GREASE FITTING, .125 NPT 1610(ALEMITE) 8	1.000 EA
HW4500A17	317400 ALEMITE GREASE RELIEF	1.000 EA
HW4505A02	BREATHER/DRAIN-EXP PROOF-.250-18 PTF AIS	1.000 EA
HW3023E06	.125 X .625 SPIRAL SPRING PIN	1.000 EA
12CB1003A01P	KOBX,MACH 2.00 NPT GROUP C MTRS,EPOXY PR	1.000 EA
10XN3118K24	5/16-18 X 1.50" HEX HD, GRADE 5	4.000 EA
WD1000B19	TERMINAL BURNDY L250HP	1.000 EA
10XN3816K12	3/8-16 X 3/4 HEX HD CAP GRADE 5	1.000 EA
HW1001A38	LOCKWASHER 3/8, ZINC PLT .688 OD, .382 I	1.000 EA
12CB1502A01P	CONDUIT BOX LID MACH. GROUP C MTRS	1.000 EA

Product Information Packet: CDRX32364T - 30HP,1180//980RPM,3PH,60/50HZ,326TC,XPFC

84XN5013J32	SOCKET HD.CAP SCR,1/2-13 X 2"LG,ALLOY ST	10.000 EA
HW1001A50	LOCKWASHER 1/2, ZINC PLT, .879 OD, .509 I	10.000 EA
MG1025G29	WILKOFAST, 789.229, DARK CHARCOAL GRAY	0.125 GA
14PA1000	PACKAGING 314 GROUP COMBINED PRINT	1.000 EA
HW2501H33	KEY, 1/2 SQ X 3.875	1.000 EA
MJ5001A27	32220KN GRAY SEALER *MIN BUY 4 QTS=1GAL	0.001 QT

AC Induction Motor Performance Data

Record # 67041

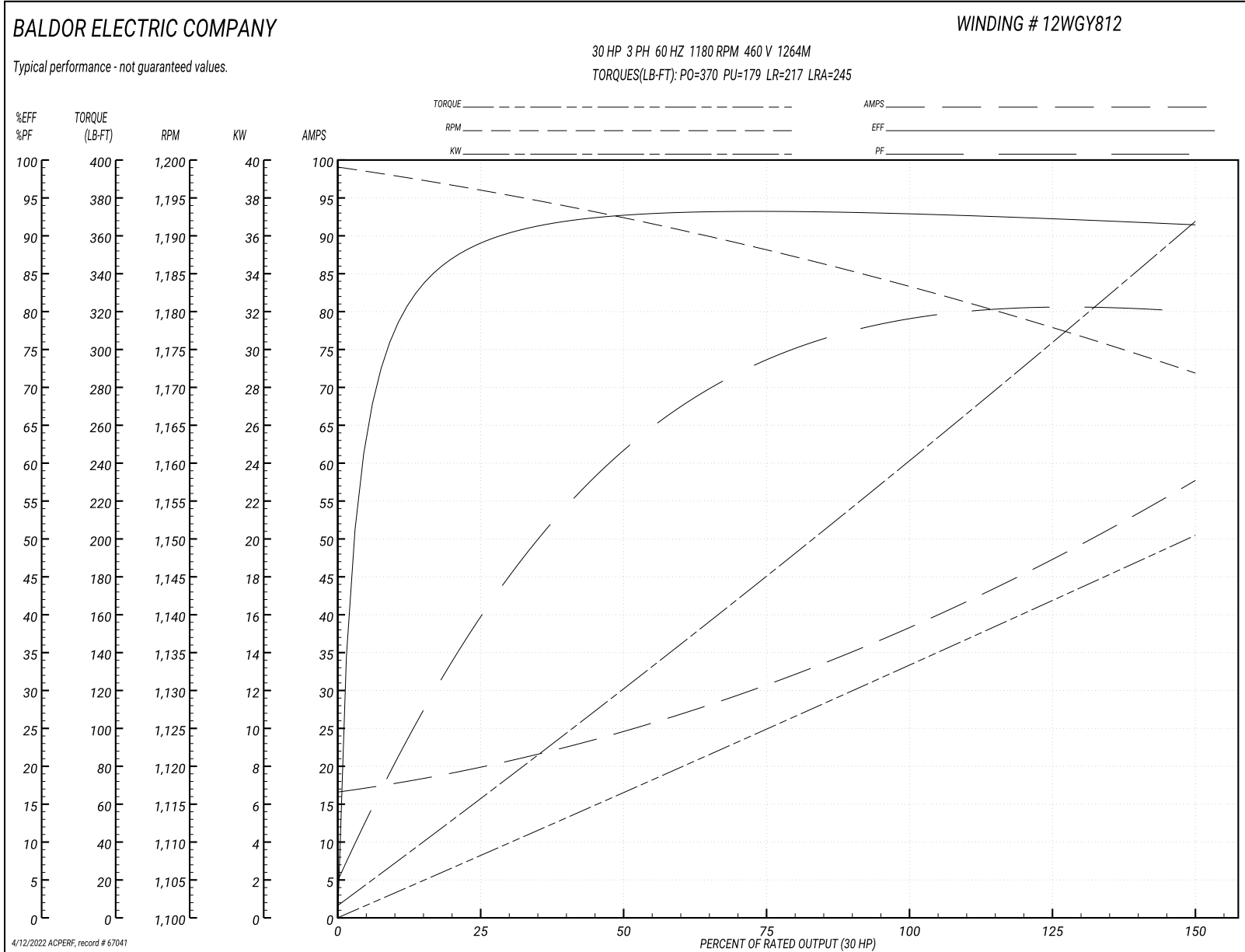
Typical performance - not guaranteed values

Winding: 12WGY812-R015		Type: 1264M		Enclosure: XPFC	
Nameplate Data			460 V, 60 Hz: High Voltage Connection		
Rated Output (HP)	30	Full Load Torque	133 LB-FT		
Volts	230/460	Start Configuration	direct on line		
Full Load Amps	78/39	Breakdown Torque	370 LB-FT		
R.P.M.	1180	Pull-up Torque	179 LB-FT		
Hz	60 Phase	3	Locked-rotor Torque	217 LB-FT	
NEMA Design Code	A	KVA Code	H	Starting Current	245 A
Service Factor (S.F.)	1		No-load Current	17.2 A	
NEMA Nom. Eff.	93	Power Factor	78	Line-line Res. @ 25°C	0.22799 Ω
Rating - Duty	40C AMB-CONT		Temp. Rise @ Rated Load	56°C	
			Locked-rotor Power Factor	27.6	

Load Characteristics 460 V, 60 Hz, 30 HP

% of Rated Load	25	50	75	100	125	150
Power Factor	42	63	73	78	80	80
Efficiency	89	92.7	93.4	93.1	92.4	91.4
Speed	1196.5	1191.9	1188.3	1183.2	1178.2	1171.8
Line amperes	19.2	24.1	31	38.7	47.5	57.3

Performance Graph at 460V, 60Hz, 30.0HP Typical performance - Not guaranteed values



AC Induction Motor Performance Data

Record # 75682

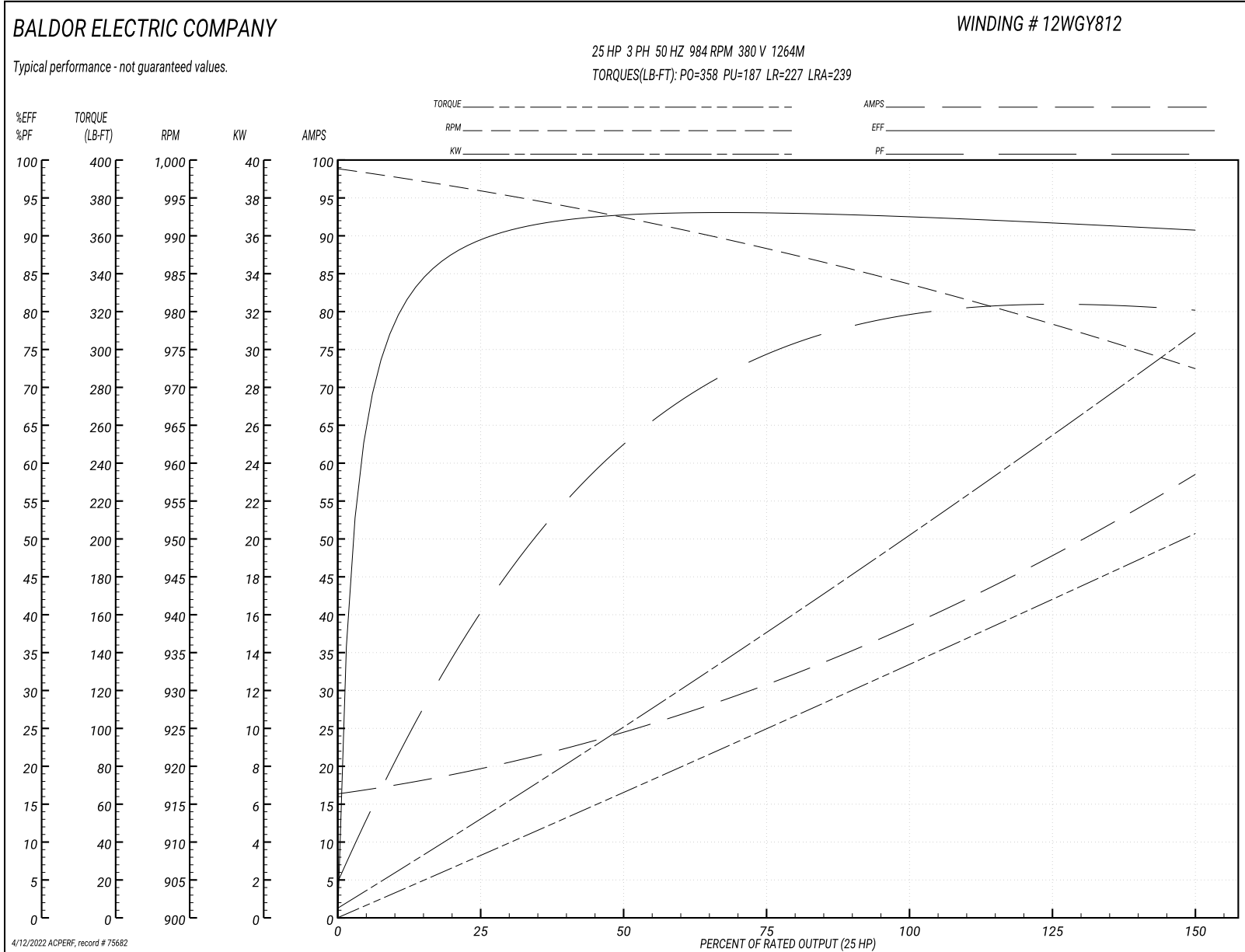
Typical performance - not guaranteed values

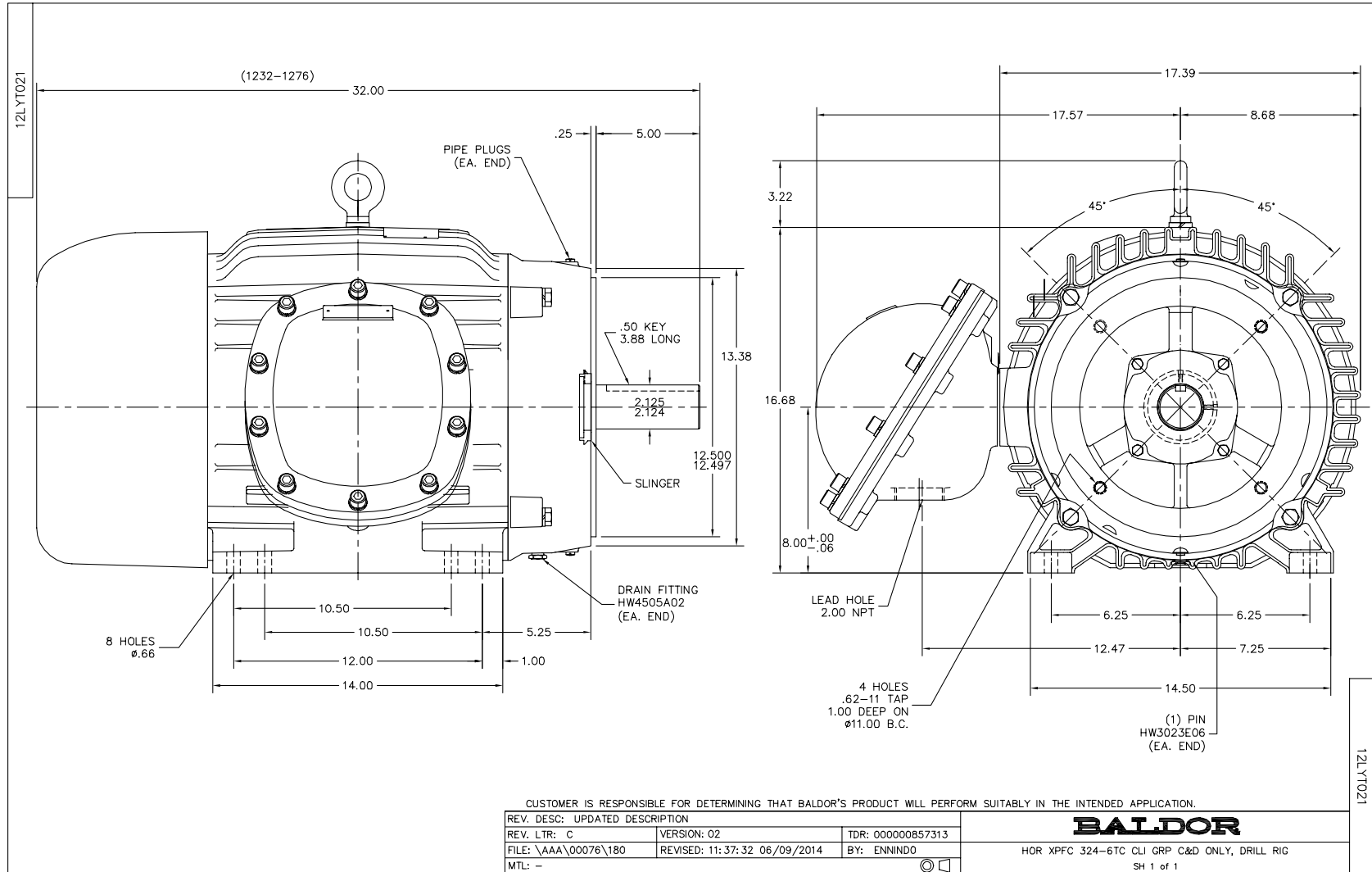
Winding: 12WGY812-R018		Type: 1264M		Enclosure: XPFC	
Nameplate Data			380 V, 50 Hz: High Voltage Connection		
Rated Output (HP)	30//25		Full Load Torque	133 LB-FT	
Volts	230/460//190/380		Start Configuration	direct on line	
Full Load Amps	78/39		Breakdown Torque	358 LB-FT	
R.P.M.	1180//980		Pull-up Torque	187 LB-FT	
Hz	60//50	Phase	3	Locked-rotor Torque	227 LB-FT
NEMA Design Code	A	KVA Code	H	Starting Current	239 A
Service Factor (S.F.)	1		No-load Current	16.97 A	
NEMA Nom. Eff.	93	Power Factor	78	Line-line Res. @ 25°C	0.222 Ω
Rating - Duty	40C AMB-CONT		Temp. Rise @ Rated Load	56°C	
S.F. Amps			Temp. Rise @ S.F. Load	69°C	
			Locked-rotor Power Factor	30.7	
			Rotor inertia	12.2 LB-FT ²	

Load Characteristics 380 V, 50 Hz, 25 HP

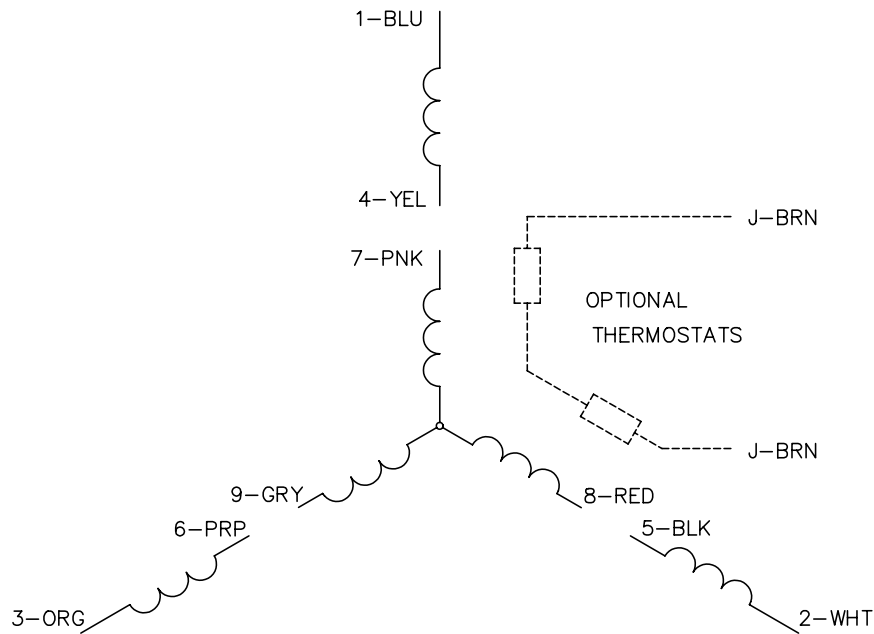
% of Rated Load	25	50	75	100	125	150
Power Factor	42	64	74	79	80	81
Efficiency	89.3	92.6	93.1	92.3	91.9	90.6
Speed	996	992	988	984	979	972
Line amperes	18.98	23.98	31.07	38.94	48.02	58.14

Performance Graph at 380V, 50Hz, 25.0HP Typical performance - Not guaranteed values

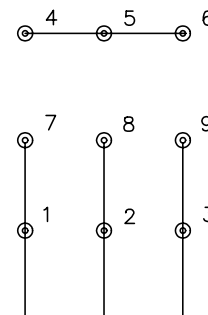




CD0005

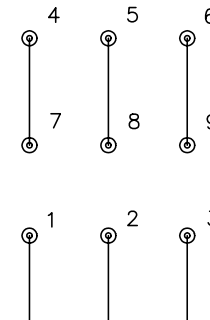


LOW VOLTAGE
(2Y)



LINE

HIGH VOLTAGE
(1Y)



LINE

NOTES:

1. INTERCHANGE ANY TWO LINE LEADS TO REVERSE ROTATION.
2. OPTIONAL THERMOSTATS ARE PROVIDED WHEN SPECIFIED.
3. ACTUAL NUMBER OF INTERNAL PARALLEL CIRCUITS MAY BE A MULTIPLE OF THOSE SHOWN ABOVE.
4. LEAD COLORS ARE OPTIONAL. LEADS MUST ALWAYS BE NUMBERED AS SHOWN.

REV. DESC: REVISE TO SHOW OPTIONAL COLORS

REV. LTR: E BY: JLP

REVISED: 01/19/99 10:15

TDR: 0171435

90000

FILE: AAA00005140

MDL: -

MTL: -

BALDOR ELECTRIC Co.

3PH, DV, 9 LEADS

CD0005

Marketing maintained PDF of MN416:

<http://www.baldor.com/support/Literature/Load.ashx/MN416?ManNumber=MN416>