

BALDOR® • RELIANCE 

Product Information Packet

CECP2334T

20HP, 1770RPM, 3PH, 60HZ, 256TC, 0960M, TEFC, F

| Part Detail | | | | | | | |
|-------------|--------|-------------|------------|-------------|--------|---------------|------------|
| Revision: | K | Status: | PRD/A | Change #: | | Proprietary: | No |
| Type: | AC | Elec. Spec: | 09WGT459 | CD Diagram: | CD0180 | Mfg Plant: | |
| Mech. Spec: | 09H180 | Layout: | 09LYH180 | Poles: | 04 | Created Date: | 11-20-2017 |
| Base: | RG | Eff. Date: | 06-11-2021 | Leads: | 9#10 | | |

| Specs | | | |
|---------------------------------|-------------------------|--------------------------------|-----------------------------|
| Catalog Number: | CECP2334T | Heater Indicator: | No Heater |
| Enclosure: | TEFC | Insulation Class: | F |
| Frame: | 256TC | Inverter Code: | Inverter Duty |
| Frame Material: | Iron | KVA Code: | J |
| Output @ Frequency: | 20.000 HP @ 60 HZ | Lifting Lugs: | Standard Lifting Lugs |
| Synchronous Speed @ Frequency: | 1800 RPM @ 60 HZ | Locked Bearing Indicator: | Locked Bearing |
| Voltage @ Frequency: | 460.0 V @ 60 HZ | Motor Lead Quantity/Wire Size: | 9 @ 10 AWG |
| | 230.0 V @ 60 HZ | Motor Lead Exit: | Ko Box |
| XP Class and Group: | CLI GP A,B,C,D | Motor Lead Termination: | Flying Leads |
| XP Division: | Division II | Motor Type: | 0960M |
| Agency Approvals: | CCSA US | Mounting Arrangement: | F1 |
| | CSA | Power Factor: | 83 |
| | CSA EEV | Product Family: | Super-E Chemical Processing |
| | UR | Pulley End Bearing Type: | Ball |
| Auxillary Box: | No Auxillary Box | Pulley Face Code: | C-Face |
| Auxillary Box Lead Termination: | None | Pulley Shaft Indicator: | Standard |
| Base Indicator: | Rigid | Rodent Screen: | None |
| Bearing Grease Type: | Polyrex EM (-20F +300F) | Shaft Extension Location: | Pulley End |

| | | | |
|---------------------------------------|---------------------------|------------------------------------|---------------------|
| Blower: | None | Shaft Ground Indicator: | No Shaft Grounding |
| Constant Torque Speed Range: | 1.0 | Shaft Rotation: | Reversible |
| Current @ Voltage: | 52.000 A @ 208.0 V | Shaft Slinger Indicator: | Shaft Slinger |
| | 48.000 A @ 230.0 V | Speed Code: | Single Speed |
| | 24.000 A @ 460.0 V | Motor Standards: | NEMA |
| Design Code: | A | Starting Method: | Direct on line |
| Drip Cover: | No Drip Cover | Thermal Device - Bearing: | None |
| Duty Rating: | CONT | Thermal Device - Winding: | None |
| Electrically Isolated Bearing: | Not Electrically Isolated | Vibration Sensor Indicator: | No Vibration Sensor |
| Feedback Device: | NO FEEDBACK | Winding Thermal 1: | None |
| Front Face Code: | Standard | Winding Thermal 2: | None |
| Front Shaft Indicator: | None | XP Temp Code: | T3C |

| Nameplate NP3995ABEL | | | | | | | | | | | |
|-------------------------------------|----------|--------------|---------------------|-----------------------|-----------------|---------------------------|------|-------------|-----|--------------|---------------|
| CAT # CECP2334T | | | SER | | | CC 010A | | | | | |
| SPEC 09H180T459G1 | | | RATING 40C AMB-CONT | | | | | | | | |
| HZ | VOLTS | | AMPS | | RPM | HP | CODE | SF | DES | PF | NEMA NOM. EFF |
| 60 | 230/460 | | 48/24 | | 1770 | 20 | J | 1.15 | A | 83 % | 93 % |
| | | | | | | | | | | % | % |
| PH 3 | CL F | MAX RPM 2700 | | MAX CORR KVAR 5.35 | | USABLE AT 208V | | 52 | | | |
| IP55 | FR 256TC | ENCL TEFC | | DE BRG 6309 | | ODE BRG 6309 | | | | | |
| GREASE POLYREX EM | | | | | | MTR WT 322 | | LBS | | | |
| USABLE AT 50HZ 15HP 190/380V 44/22A | | | | | | SF1.0 | | | | | |
| | | | | | | | | | | | |
| | | | | | | | | | | | |
| | | | | | | | | | | | |
| CL I DIV 2 GRPS A,B,C,D | | | | | | CL I ZONE 2 GRPS | | IIA,IIB,IIC | | TEMP T 160 C | |
| 1.0 SF ON PWM INVERTER | | | POWER | | INV TEMP CL 180 | | C | | | | |
| CHP 60-90 | HZ 1.5:1 | CT 1.0-60 | | HZ 60:1 | | VT 0-60 | | HZ 1000:1 | | | |
| SPACE HEATER LEADS H1-H2: | | | | | | TIE LIKE NUMBERS TOGETHER | | | | | |
| V | A | W | | MAX SPACE HEATER TEMP | | | | | | | |

| Parts List | | |
|---------------|--|----------|
| Part Number | Description | Quantity |
| SA348034 | SA 09H180T459G1 | 1.000 EA |
| RA336592 | RA 09H180T459G1 | 1.000 EA |
| 09FN3001D01SP | EXTERNAL FAN, PLASTIC (COMES W/SCREW FRO | 1.000 EA |
| 09CB1002A12P | KOBX W/1.25 NPT LEAD HOLE & 2.38 MTG HOL | 1.000 EA |
| 09GS1010 | GASKET, DWG, LEADWIRE SEPERATOR | 1.000 EA |
| 51XW2520A12 | .25-20 X .75, TAPTITE II, HEX WSHR SLTD | 4.000 EA |
| WD1000B16 | T&B CX70TN OR L70P TERMINAL LUG | 1.000 EA |
| 59XW2520G07 | .25-20X.44,HEX SER WSHR,TAPTITE 2,GREEN | 1.000 EA |
| HA3400A39 | STUD- 3/8-16 X 6.44 OAL HEX | 4.000 EA |
| HW1001A38 | LOCKWASHER 3/8, ZINC PLT .688 OD, .382 I | 4.000 EA |
| HA4017A08 | .125X3.50 GREASER EXTEN. | 1.000 EA |
| HA4017A02 | .125X2.50 GREASER EXTENS.F/S | 1.000 EA |
| HW4019A01 | PIPE COUPLING 1/8 NPT,STEEL,ZINC COATING | 1.000 EA |
| HW5100A11 | W3917-042 WVY WSHR (WB) | 1.000 EA |
| 10XN2520K36 | 1/4-20 X 2.25" HX HD SCRWGRADE 5, ZINC P | 2.000 EA |
| 09EP1300A12P | ENDPLATE, MACH EPOXY PRIMER | 1.000 EA |
| 10XN3816K28 | 3/8-16 X 1.75 HEX HD CAP SCREW, GRADE 5 | 4.000 EA |
| HW1001A38 | LOCKWASHER 3/8, ZINC PLT .688 OD, .382 I | 4.000 EA |
| 10XN2520K36 | 1/4-20 X 2.25" HX HD SCRWGRADE 5, ZINC P | 4.000 EA |
| 09FH1000P | FAN COVER, CAST W/EPOXY PRIMER | 1.000 EA |
| HW1001A38 | LOCKWASHER 3/8, ZINC PLT .688 OD, .382 I | 4.000 EA |
| XY3816A12 | 3/8-16 FINISHED NUT | 4.000 EA |
| HW4600B44 | V-RING SLINGER 1.500 X 1.810 X .28 VITON | 1.000 EA |
| HA1005A26 | SLINGER, OD 3.00, ID 1.75, 309 BRG | 1.000 EA |

| Parts List (continued) | | |
|------------------------|--|----------|
| Part Number | Description | Quantity |
| 12CB1503P | CONDUIT BOX LID, CAST W/EPOXY PRIMER | 1.000 EA |
| 12GS1002 | GASKET, CONDUIT BOX LID, NEOP | 1.000 EA |
| 10XN3118K16 | 5/16-18 X 1' GRADE #5, STL, ZINC PLATE | 2.000 EA |
| HW1001A31 | LOCKWASHER 5/16, ZINC PLT.591 OD, .319 I | 2.000 EA |
| HW2501G25 | KEY, 3/8 SQ X 2.875 | 1.000 EA |
| MJ5001A27 | 32220KN GRAY SEALER *MIN BUY 4 QTS=1GAL | 0.031 QT |
| MJ5001A14 | DYNAPRO SEALANT, CP MTR VC#2508050 (603 | 0.023 EA |
| LB1115N | LABEL,LIFTING DEVICE (ON ROLLS) | 1.000 EA |
| 09EP1118A05LP5 | FREP MACH, 309 BRG. EPOXY PRIMER | 1.000 EA |
| HW4500A17 | 317400 ALEMITE GREASE RELIEF | 1.000 EA |
| HW4500A21 | 1618BALEMITE FITTING 825 UNIVERSAL | 1.000 EA |
| HA4054 | SHORT T-DRAIN FITTING, .125" N.P.T. | 1.000 EA |
| HA4051A00 | PLASTIC CAP FOR GREASE FITTING | 1.000 EA |
| MJ1000A02 | GREASE, MOBIL POLYREX EM - 124047 | 0.080 LB |
| HW4500A03 | GREASE FITTING, .125 NPT 1610(ALEMITE) 8 | 1.000 EA |
| HW4500A17 | 317400 ALEMITE GREASE RELIEF | 1.000 EA |
| HA4054 | SHORT T-DRAIN FITTING, .125" N.P.T. | 1.000 EA |
| HA4051A00 | PLASTIC CAP FOR GREASE FITTING | 1.000 EA |
| HW2500A25 | WOODRUFF KEY USA #1008 #BLOW CARBON STEE | 1.000 EA |
| MG1025N19 | WILKOFASST, 778.50, RELIANCE BLUE-GREEN | 0.050 GA |
| 85XU0407S04 | 4X1/4 U DRIVE PIN STAINLESS | 4.000 EA |
| NP3995ABEL | SS SUPER-E SD XEX CLI DIV2 UR CSA-C-US E | 1.000 EA |
| 40PA1005 | PACKAGING GROUP, 09 STD | 1.000 EA |
| MN416A01 | TAG-INSTAL-MAINT no wire (2100/bx) 4/22 | 1.000 EA |

| | | |
|-----------|---|----------|
| LD7020E09 | LEAD SET, 10AWG, 9 LEAD, 20" LONG LEADS | 1.000 EA |
|-----------|---|----------|

AC Induction Motor Performance Data

Record # 68075

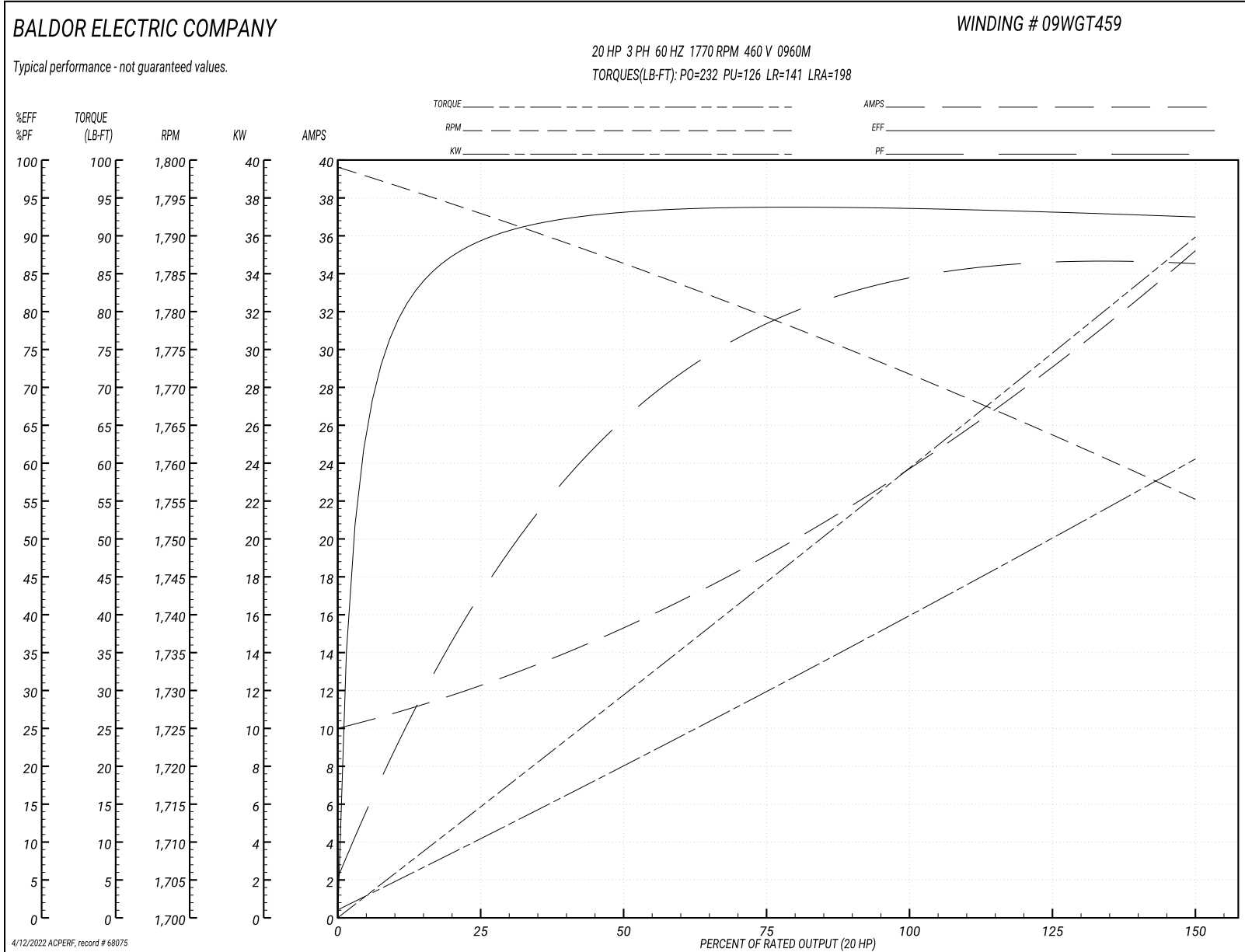
Typical performance - not guaranteed values

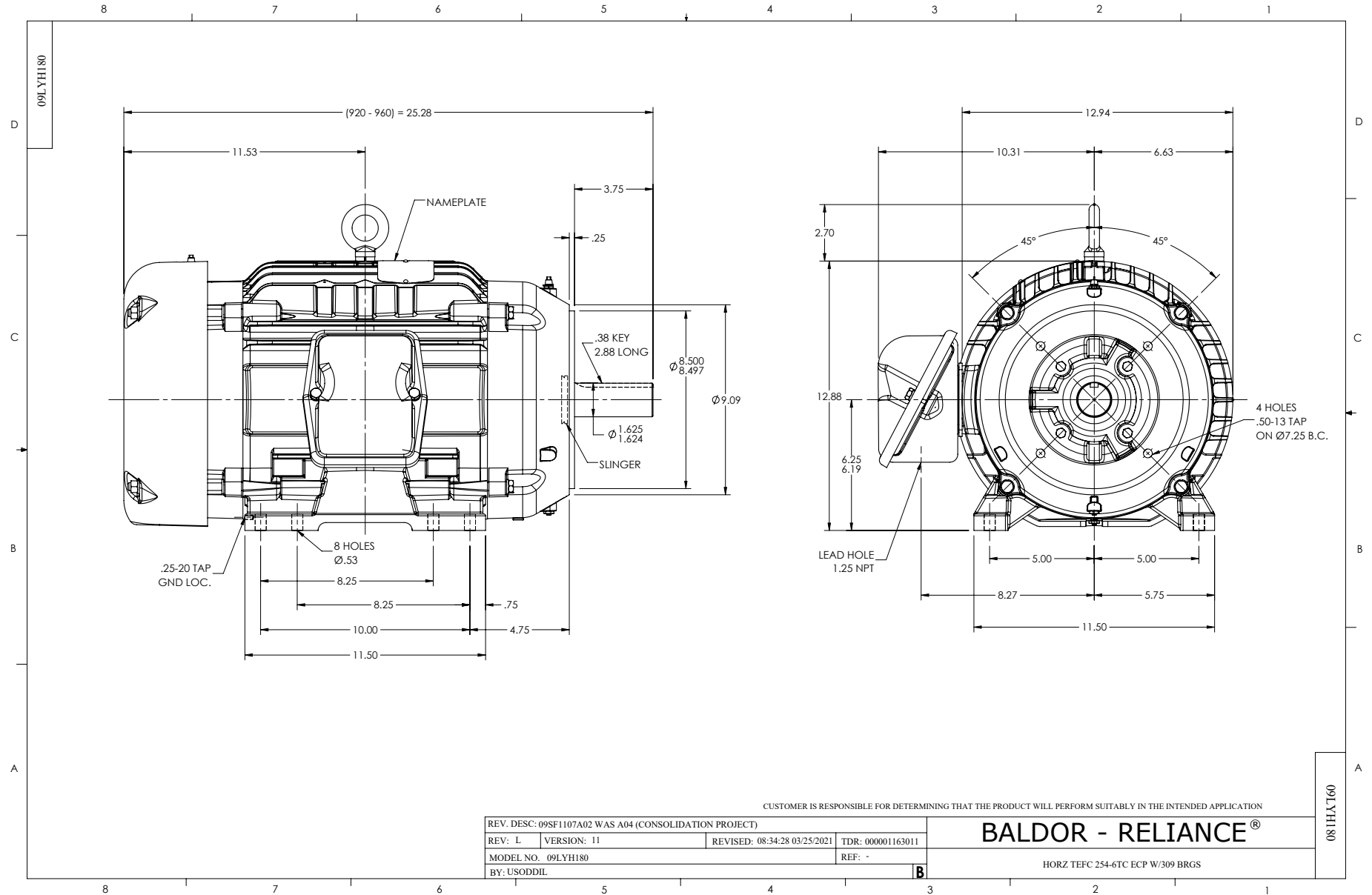
| Winding: 09WGT459-R011 | | | Type: 0960M | | | Enclosure: TEFC | | |
|------------------------|--------------|--------------|---------------------------|--|-----------|-----------------|--|--|
| Nameplate Data | | | | 460 V, 60 Hz: High Voltage Connection | | | | |
| Rated Output (HP) | 20 | | Full Load Torque | 59.27 LB-FT | | | | |
| Volts | 230/460 | | Start Configuration | direct on line | | | | |
| Full Load Amps | 48/24 | | Breakdown Torque | 232 LB-FT | | | | |
| R.P.M. | 1770 | | Pull-up Torque | 126 LB-FT | | | | |
| Hz | 60 Phase | 3 | Locked-rotor Torque | 141 LB-FT | | | | |
| NEMA Design Code | A | KVA Code | J | Starting Current | 198 A | | | |
| Service Factor (S.F.) | 1.15 | | No-load Current | 10.4 A | | | | |
| NEMA Nom. Eff. | 93 | Power Factor | 83 | Line-line Res. @ 25°C | 0.33814 Ω | | | |
| Rating - Duty | 40C AMB-CONT | | Temp. Rise @ Rated Load | 58°C | | | | |
| S.F. Amps | | | Temp. Rise @ S.F. Load | 70°C | | | | |
| | | | Locked-rotor Power Factor | 26.5 | | | | |

Load Characteristics 460 V, 60 Hz, 20 HP

| % of Rated Load | 25 | 50 | 75 | 100 | 125 | 150 | S.F. |
|-----------------|--------|--------|--------|--------|--------|--------|------|
| Power Factor | 45 | 67 | 78 | 83 | 86 | 87 | 85 |
| Efficiency | 89.2 | 93 | 93.7 | 93.6 | 93.1 | 92.4 | 93.3 |
| Speed | 1793.2 | 1786.4 | 1779.1 | 1771.9 | 1763.7 | 1755.3 | 1767 |
| Line amperes | 11.8 | 15 | 19.2 | 24 | 29.3 | 34.9 | 27.2 |

Performance Graph at 460V, 60Hz, 20.0HP Typical performance - Not guaranteed values

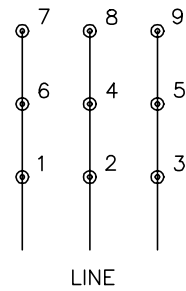




CD0180



LOW VOLTAGE
(2D)



HIGH VOLTAGE
(1D)



NOTES:

1. INTERCHANGE ANY TWO LINE LEADS TO REVERSE ROTATION.
2. OPTIONAL THERMOSTATS ARE PROVIDED WHEN SPECIFIED.
3. ACTUAL NUMBER OF INTERNAL PARALLEL CIRCUITS MAY BE A MULTIPLE OF THOSE SHOWN ABOVE.
4. LEAD COLORS ARE OPTIONAL. LEADS MUST ALWAYS BE NUMBERED AS SHOWN.

CD0180

| | | |
|-----------------------------------|------------------------------|-------------------|
| REV. DESC: ADD CLASS CONN00000007 | | |
| REV. LTR: D | VERSION: 01 | TDR: 000001099922 |
| FILE: \AAA\00005\148 | REVISED: 10:25:29 02/19/2019 | BY: ENBRIRO |
| MTL: - | © □ | |

BALDOR - RELIANCE®

3PH, DV, 9 LEADS, DELTA CONNECTION

SH 1 of 1

Marketing maintained PDF of MN416:

<http://www.baldor.com/support/Literature/Load.ashx/MN416?ManNumber=MN416>