

BALDOR® • RELIANCE 

Product Information Packet

CECP3581T

1HP,1765RPM,3PH,60HZ,143TC,0524M,TEFC,F1

| Part Detail | | | | | | | |
|-------------|--------|-------------|------------|-------------|--------|---------------|------------|
| Revision: | T | Status: | PRD/A | Change #: | | Proprietary: | No |
| Type: | AC | Elec. Spec: | 05WGX014 | CD Diagram: | CD0005 | Mfg Plant: | |
| Mech. Spec: | 05F007 | Layout: | 05LYF007 | Poles: | 04 | Created Date: | 07-26-2007 |
| Base: | RG | Eff. Date: | 08-19-2021 | Leads: | 9#18 | | |

| Specs | | | |
|---------------------------------|-------------------------|--------------------------------|------------------------------|
| Catalog Number: | CECP3581T | Heater Indicator: | No Heater |
| Enclosure: | TEFC | Insulation Class: | F |
| Frame: | 143TC | Inverter Code: | Inverter Duty |
| Frame Material: | Iron | KVA Code: | N |
| Output @ Frequency: | 1.000 HP @ 60 HZ | Lifting Lugs: | Standard Lifting Lugs |
| Synchronous Speed @ Frequency: | 1800 RPM @ 60 HZ | Locked Bearing Indicator: | Locked Bearing |
| Voltage @ Frequency: | 230.0 V @ 60 HZ | Motor Lead Quantity/Wire Size: | 9 @ 18 AWG |
| | 208.0 V @ 60 HZ | Motor Lead Exit: | Ko Box |
| | 460.0 V @ 60 HZ | Motor Lead Termination: | Flying Leads |
| XP Class and Group: | CLI GP A,B,C,D | Motor Type: | 0524M |
| XP Division: | Division II | Mounting Arrangement: | F1 |
| Agency Approvals: | UR | Power Factor: | 70 |
| | CSA EEV | Product Family: | Chemical Processing (Not DC) |
| | CSA | Pulley End Bearing Type: | Ball |
| Auxillary Box: | No Auxillary Box | Pulley Face Code: | C-Face |
| Auxillary Box Lead Termination: | None | Pulley Shaft Indicator: | Standard |
| Base Indicator: | Rigid | Rodent Screen: | None |
| Bearing Grease Type: | Polyrex EM (-20F +300F) | Shaft Extension Location: | Pulley End |

| | | | |
|---------------------------------------|---------------------------|------------------------------------|---------------------|
| Blower: | None | Shaft Ground Indicator: | No Shaft Grounding |
| Constant Torque Speed Range: | 1.2 | Shaft Rotation: | Reversible |
| Current @ Voltage: | 3.000 A @ 230.0 V | Shaft Slinger Indicator: | Shaft Slinger |
| | 3.300 A @ 208.0 V | Speed Code: | Single Speed |
| | 1.500 A @ 460.0 V | Motor Standards: | NEMA |
| Design Code: | B | Starting Method: | Direct on line |
| Drip Cover: | No Drip Cover | Thermal Device - Bearing: | None |
| Duty Rating: | CONT | Thermal Device - Winding: | None |
| Electrically Isolated Bearing: | Not Electrically Isolated | Vibration Sensor Indicator: | No Vibration Sensor |
| Feedback Device: | NO FEEDBACK | Winding Thermal 1: | None |
| Front Face Code: | Standard | Winding Thermal 2: | None |
| Front Shaft Indicator: | None | XP Temp Code: | T4 |

| Nameplate NP3258E | | | |
|-------------------|--------------|------|------|
| CAT.NO. | CECP3581T | | |
| SPEC. | 05F007X014G1 | | |
| HP | 1 | TE | |
| VOLTS | 208-230/460 | | |
| AMP | 3.3-3/1.5 | | |
| RPM | 1765 | | |
| FRAME | 143TC | HZ | 60 |
| SER.F. | 1.15 | CODE | N |
| | | DES | B |
| RATING | 40C AMB-CONT | | |
| SN | | | |
| DE | 6205 | ODE | 6205 |
| NEMA-NOM-EFF | 87.5 | PF | 70 |
| G.MIN.EFF | 85.5 | CC | 010A |
| T. CODE | T4 | T= | 135 |
| | | PH | 3 |
| | | CL | F |

| | |
|--------------------------|--------------------------------|
| Nameplate NP3261E | |
| SPEC. | 05F007X014G1 |
| D.E. BRG. | 25BC02XP30X |
| O.D.E. BRG. | 25BC02XP30X |
| GREASE | POLYREX EM |
| RPM MAX | 2700 |
| | MAX. KVAR N/A |
| BLANK | |
| INV. TYPE | PWM |
| T= | 135 |
| C HP FR | 60 |
| CT HZ FROM | 1.2 |
| VT HZ FROM | 0- |
| HTR-VOLTS | |
| HTR-WATTS | |
| C HP TO | 90 |
| CT HZ TO | 60 |
| VT HZ TO | 60 |
| HTR-AMPS | |
| | MAX. SPACE HEATER TEMP. |

| Parts List | | |
|--------------|--|----------|
| Part Number | Description | Quantity |
| SA161370 | SA 05F007X014G1 | 1.000 EA |
| RA149925 | RA 05F007X014G1 | 1.000 EA |
| 34FN3002B01 | EXTERNAL FAN, PLASTIC, .637/.639 HUB W/ | 1.000 EA |
| HW3201A05 | 3/8-16 EYEBOLT | 1.000 EA |
| 06CB1000A02G | CONDUIT BOX, MACH GRAY | 1.000 EA |
| RM1016 | LEAD SEPARATOR GASKET - 305/306 C.P.MOTO | 1.000 EA |
| 51XW2520A12 | SCREW, HEX SER SLT HD, ZN, 1/4-20 X .75 | 2.000 EA |
| 11XW1032G06 | 10-32 X .38, TAPTITE II, HEX WSHR SLTD U | 1.000 EA |
| HW3001B01 | BRASS CUP WASHER, FOR #10 SCREW | 1.000 EA |
| 10XN2520S06 | 1/4 20X3/8 HX HD CAP S.S. | 1.000 EA |
| WD1000B16 | T&B CX70TN OR L70P TERMINAL LUG | 1.000 EA |
| 35EP1102B03G | FREP TEFC 205 BRG,GRSR,RLF,.125 NPT DRAI | 1.000 EA |
| HW4500A19 | 1/4-28X1/4 SLOTTED PLUG F/S | 1.000 EA |
| HW4500A17 | 317400 ALEMITE GREASE RELIEF | 1.000 EA |
| HA4054 | SHORT T-DRAIN FITTING, .125" N.P.T. | 1.000 EA |
| HW5100A05 | WVY WSHR F/205 & 304 BRGS | 1.000 EA |
| 35EP1329A16G | PUEP ENCL 143-5TC 205 BRG,GRSR,RLF,NPT D | 1.000 EA |
| HW4500A19 | 1/4-28X1/4 SLOTTED PLUG F/S | 1.000 EA |
| HW4500A17 | 317400 ALEMITE GREASE RELIEF | 1.000 EA |
| HA4054 | SHORT T-DRAIN FITTING, .125" N.P.T. | 1.000 EA |
| 51XN1032A20 | 10-32 X 1 1/4 HX WS SL SR | 2.000 EA |
| HA3100A28 | THRUBOLT 10-32 X 8.187 | 4.000 EA |
| 51XB1214A16 | 12-14X1.00 HXWSSLD SERTYB | 1.000 EA |
| 35FH1000A01G | 35FH1000A01 W/GRAY FLUIDIZ | 1.000 EA |

| Parts List (continued) | | |
|------------------------|--|----------|
| Part Number | Description | Quantity |
| 10XN2520A16 | 1/4-20 X 1 HEX HEAD CAP SCR, ZINC PLATED | 3.000 EA |
| HW1001A25 | LOCKWASHER 1/4, ZINC PLT .493 OD, .255 I | 3.000 EA |
| WD4100A03 | DE-750 HEYCO PLUG 62MP0750 MICRO PLASTIC | 1.000 EA |
| 06CB1502G | LIPPED CONDUIT BOX LID CAST, GRAY EPOXY | 1.000 EA |
| 06GS1003 | GASKET, KOBX LID, 1/8" THICK BLACK NEOPR | 1.000 EA |
| 10XN2520A12 | 1/4-20 X 3/4 HEX HEAD CAP | 2.000 EA |
| HW1001A25 | LOCKWASHER 1/4, ZINC PLT .493 OD, .255 I | 2.000 EA |
| HW4600B32SP | V-RING SLINGER 1.000 X 1.540 X .24 VITON | 1.000 EA |
| HA1005A03SP | SLINGER, OD 1.750, ID .938, 205 BRG | 1.000 EA |
| HW2501D13 | KEY, 3/16 SQ X 1.375 | 1.000 EA |
| HA7000A01 | KEY RETAINER 7/8" DIA SHAFT | 1.000 EA |
| MJ5001A27 | 32220KN GRAY SEALER *MIN BUY 4 QTS=1GAL | 0.001 QT |
| 85XU0407S04 | 4X1/4 U DRIVE PIN STAINLESS | 2.000 EA |
| LB1115N | LABEL,LIFTING DEVICE (ON ROLLS) | 1.000 EA |
| LB1002N | LABEL,MARINE DUTY (ON ROLLS) | 1.000 EA |
| MJ1000A02 | GREASE, MOBIL POLYREX EM - 124047 | 0.050 LB |
| MG1025N19 | WILKOFAS, 778.50, RELIANCE BLUE-GREEN | 0.022 GA |
| LC0005E01 | CONN.DIA./WARNING LABEL (LC0005/LB1119N) | 1.000 EA |
| LB1449 | DIV-2/NEC WARNING LABEL | 1.000 EA |
| NP3258E | SS CP SUPER-E DIV-2 UL CSA-C US EEV CC | 1.000 EA |
| NP3261E | SS CP SUPER-E AUX DATA INFORMATION | 1.000 EA |
| 85XU0407S04 | 4X1/4 U DRIVE PIN STAINLESS | 2.000 EA |
| 36PA1000 | PKG GRP, PRINT PK1016A06 | 1.000 EA |
| MN416A01 | TAG-INSTAL-MAINT no wire (2100/bx) 4/22 | 1.000 EA |

AC Induction Motor Performance Data

Record # 47106

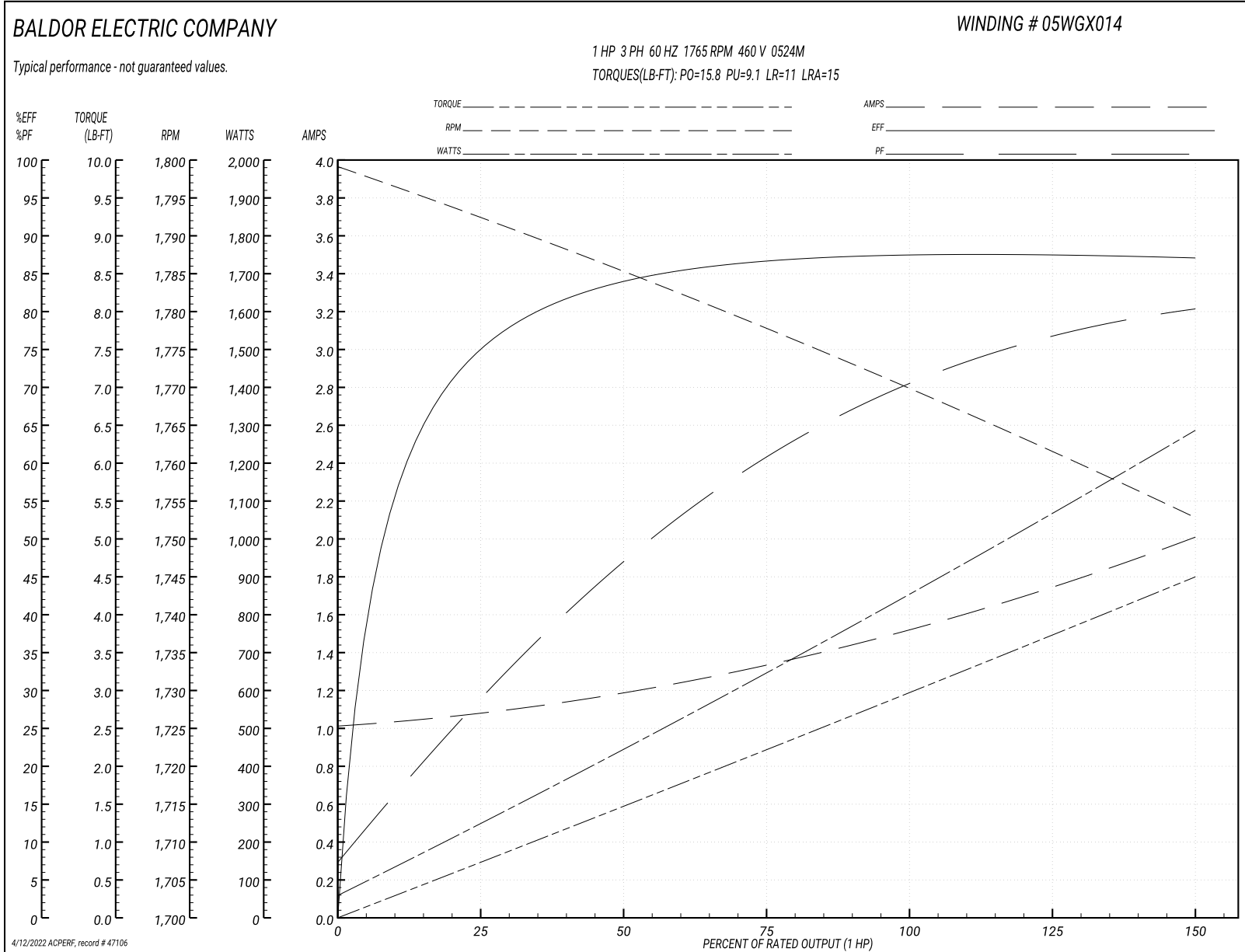
Typical performance - not guaranteed values

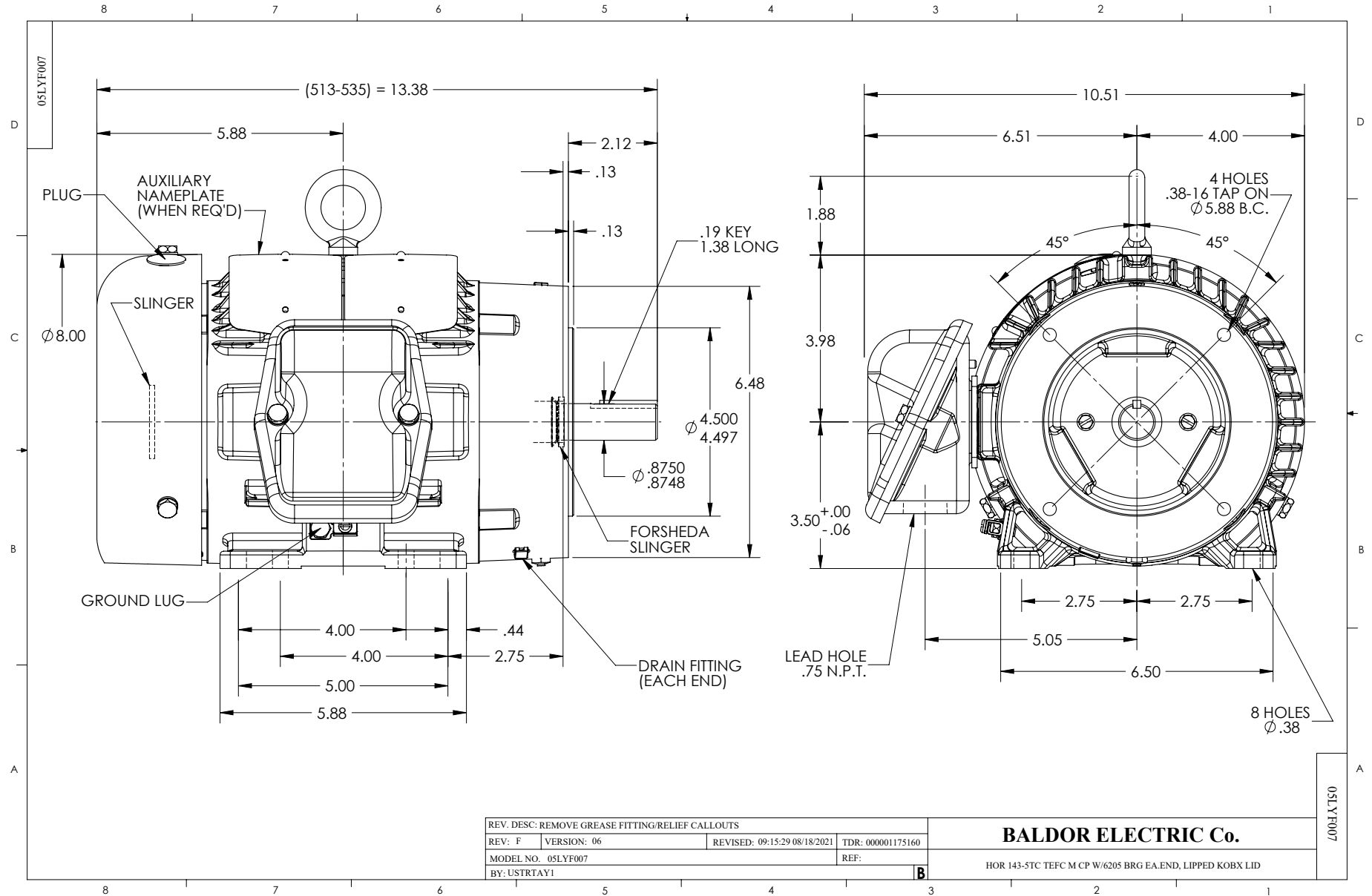
| Winding: 05WGX014-R050 | | Type: 0524M | | Enclosure: TEFC | |
|-------------------------------|--------------------------|----------------------------|--|------------------------|--|
| Nameplate Data | | | 460 V, 60 Hz: High Voltage Connection | | |
| Rated Output (HP) | 1 | Full Load Torque | 2.99 LB-FT | | |
| Volts | 208-230/460 | Start Configuration | direct on line | | |
| Full Load Amps | 3.3-3/1.5 | Breakdown Torque | 15.8 LB-FT | | |
| R.P.M. | 1765 | Pull-up Torque | 9.1 LB-FT | | |
| Hz | 60 Phase | 3 | Locked-rotor Torque | 11 LB-FT | |
| NEMA Design Code | B KVA Code | N | Starting Current | 15 A | |
| Service Factor (S.F.) | 1.15 | | No-load Current | 1.02 A | |
| NEMA Nom. Eff. | 87.5 Power Factor | 70 | Line-line Res. @ 25°C | 12 Ω | |
| Rating - Duty | 40C AMB-CONT | | Temp. Rise @ Rated Load | 21°C | |
| S.F. Amps | | | Temp. Rise @ S.F. Load | 26°C | |

Load Characteristics 460 V, 60 Hz, 1 HP

| % of Rated Load | 25 | 50 | 75 | 100 | 125 | 150 | S.F. |
|------------------------|-----------|-----------|-----------|------------|------------|------------|-------------|
| Power Factor | 28 | 48 | 60 | 70 | 77 | 81 | 74 |
| Efficiency | 74.8 | 84.4 | 87 | 87.9 | 87.7 | 87.3 | 87.8 |
| Speed | 1793 | 1785 | 1778 | 1770 | 1761 | 1753 | 1765 |
| Line amperes | 1.07 | 1.18 | 1.33 | 1.53 | 1.76 | 2 | 1.67 |

Performance Graph at 460V, 60Hz, 1.0HP Typical performance - Not guaranteed values

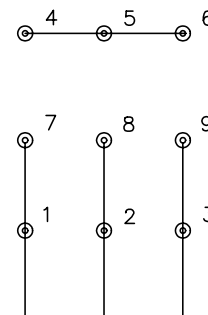




CD0005

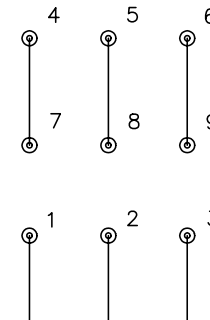


LOW VOLTAGE
(2Y)



LINE

HIGH VOLTAGE
(1Y)



LINE

NOTES:

1. INTERCHANGE ANY TWO LINE LEADS TO REVERSE ROTATION.
2. OPTIONAL THERMOSTATS ARE PROVIDED WHEN SPECIFIED.
3. ACTUAL NUMBER OF INTERNAL PARALLEL CIRCUITS MAY BE A MULTIPLE OF THOSE SHOWN ABOVE.
4. LEAD COLORS ARE OPTIONAL. LEADS MUST ALWAYS BE NUMBERED AS SHOWN.

| | | | |
|---|---------|-------------------------|--------------|
| REV. DESC: REVISE TO SHOW OPTIONAL COLORS | | | |
| REV. LTR: E | BY: JLP | REVISED: 01/19/99 10:15 | TDR: 0171435 |
| 9000D | | FILE: AAA00005140 | MDL: - |
| | | MTL: - | |

BALDOR ELECTRIC Co.

3PH, DV, 9 LEADS

CD0005