

BALDOR® • RELIANCE 

Product Information Packet

CECP4103T-5

25HP, 1770RPM, 3PH, 60HZ, 286TC, 1056M, TEFC, F

Part Detail							
Revision:	G	Status:	PRD/A	Change #:		Proprietary:	No
Type:	AC	Elec. Spec:	10WGZ620	CD Diagram:	CD0006	Mfg Plant:	
Mech. Spec:	10H412	Layout:	10LYH412	Poles:	04	Created Date:	01-03-2018
Base:	RG	Eff. Date:	01-05-2021	Leads:	3#10		

Specs			
Catalog Number:	CECP4103T-5	Insulation Class:	F
Enclosure:	TEFC	Inverter Code:	Inverter Duty
Frame:	286TC	KVA Code:	F
Frame Material:	Iron	Lifting Lugs:	Standard Lifting Lugs
Output @ Frequency:	25.000 HP @ 60 HZ	Locked Bearing Indicator:	Locked Bearing
Synchronous Speed @ Frequency:	1800 RPM @ 60 HZ	Motor Lead Quantity/Wire Size:	3 @ 10 AWG
Voltage @ Frequency:	575.0 V @ 60 HZ	Motor Lead Termination:	Flying Leads
XP Class and Group:	CLI GP A,B,C,D	Motor Type:	1056M
XP Division:	Division II	Mounting Arrangement:	F1
Agency Approvals:	UR	Power Factor:	85
	CSA EEV	Product Family:	Super-E Chemical Processing
	CSA	Pulley End Bearing Type:	Ball
Auxillary Box:	No Auxillary Box	Pulley Face Code:	C-Face
Auxillary Box Lead Termination:	None	Pulley Shaft Indicator:	Standard
Base Indicator:	Rigid	Rodent Screen:	None
Bearing Grease Type:	Polyrex EM (-20F +300F)	Shaft Ground Indicator:	No Shaft Grounding
Blower:	None	Shaft Rotation:	Reversible
Constant Torque Speed Range:	1.0	Shaft Slinger Indicator:	Shaft Slinger

Current @ Voltage:	24.000 A @ 575.0 V	Speed Code:	Single Speed
Design Code:	B	Motor Standards:	NEMA
Drip Cover:	No Drip Cover	Starting Method:	Direct on line
Duty Rating:	CONT	Thermal Device - Bearing:	None
Electrically Isolated Bearing:	Not Electrically Isolated	Thermal Device - Winding:	None
Enclosure Modification:	Severe Duty Features	Vibration Sensor Indicator:	No Vibration Sensor
Feedback Device:	NO FEEDBACK	Winding Thermal 1:	None
Front Shaft Indicator:	None	Winding Thermal 2:	None
Heater Indicator:	No Heater	XP Temp Code:	T3C

Nameplate NP3241											
CAT.NO.	CECP4103T-5	P/N		ENCLOSURE	TEFC						
SPEC.	10H412Z620G1	CC	010A	FRAME	286TC	S/N					
HP	25	CLASS	F	HZ	60	DES	B				
RPM	1770	RPM MAX	2700	PH	3	KVA-CODE	F				
VOLT	575	MOTOR WEIGHT	437								
AMP	24	SER.F.	1.15	PF	85	ODE BRG	6311	DE BRG	6311		
RATING	40C AMB-CONT	NEMA-NOM-EFF	93.6	GREASE	POLYREX EM						
				INV.TYPE	PWM						
TEMP CODE	T3C	INVERTER-TEMP-CODE	180								
TEMP =	160	C HP FR	60	C HP TO	90						
CT HZ FROM	1.0	CT HZ TO	60								
HTR-VOLTS		HTR-AMPS		HTR-WATTS		MAX. SPACE HEATER TEMP.		VT HZ FROM	0	VT HZ TO	60

Parts List		
Part Number	Description	Quantity
SA349671	SA 10H412Z620G1	1.000 EA
RA338298	RA 10H412Z620G1	1.000 EA
09FN3001C02	EXTERNAL FAN, PLASTIC (COMES W/SCREW FRO	1.000 EA
10CB1000A09P	KOBX, MACH W/1.50 NPT & PRIMER	1.000 EA
09GS1010	GASKET, DWG, LEADWIRE SEPERATOR	1.000 EA
10XN3118K16	5/16-18 X 1' GRADE #5, STL, ZINC PLATE	4.000 EA
HW1001A31	LOCKWASHER 5/16, ZINC PLT.591 OD, .319 I	4.000 EA
WD1000B16	T&B CX70TN OR L70P TERMINAL LUG	1.000 EA
10XN2520K06	1/4-20 X 3/8" HX HD SCREWGRADE 5, ZINC P	1.000 EA
HW1001A25	LOCKWASHER 1/4, ZINC PLT .493 OD, .255 I	1.000 EA
10XN3816K28	3/8-16 X 1.75 HEX HD CAP SCREW, GRADE 5	4.000 EA
HW1001A38	LOCKWASHER 3/8, ZINC PLT .688 OD, .382 I	4.000 EA
HW4600B40	V-RING SLINGER 2.000 X 2.680 X .28 VITON	1.000 EA
HW5100A13	W4627-047 WVY WSHER	1.000 EA
HW4500A20	1/8NPT SL PIPE PLUG	1.000 EA
HA4017A11	1/8 X 2.75 GREASE EXT (F/S)	1.000 EA
HA4017A03	.125 X 1.75 GREASE EXT (F/S)	1.000 EA
HW4019A01	PIPE COUPLING 1/8 NPT,STEEL,ZINC COATING	1.000 EA
10XN3118K40	5/16-18 X 2.25" HEX HD, GRADE 5	4.000 EA
10EP1305A117P	PU ENDPLATE, MACH W/EPOXY	1.000 EA
10XN3816K28	3/8-16 X 1.75 HEX HD CAP SCREW, GRADE 5	4.000 EA
HW1001A38	LOCKWASHER 3/8, ZINC PLT .688 OD, .382 I	4.000 EA
HW4500A20	1/8NPT SL PIPE PLUG	1.000 EA
HW4600B40	V-RING SLINGER 2.000 X 2.680 X .28 VITON	1.000 EA

Parts List (continued)		
Part Number	Description	Quantity
10XN3118K40	5/16-18 X 2.50" HEX HD, GRADE 5	4.000 EA
10FH1007P	FAN COVER, CAST W/EPOXY PRIMER	1.000 EA
10XN3118K20	5/16-18 X 1 1/4 GRADE 5 STEEL ZC PLATED	3.000 EA
HW1001A31	LOCKWASHER 5/16, ZINC PLT.591 OD, .319 I	3.000 EA
10CB1503A01P	CONDUIT BOX LIPPED LID, MACH W/EPXY PRMR	1.000 EA
14GS1003	GASKET CONDUIT BOX LID, NEOP	1.000 EA
10XN2520K16	1/4-20 X 1" HX HD SCRW GRADE 5, ZINC P	4.000 EA
HW1001A25	LOCKWASHER 1/4, ZINC PLT .493 OD, .255 I	4.000 EA
HW2501H28	KEY, 1/2 SQ X 3.250	1.000 EA
MJ5001A27	32220KN GRAY SEALER *MIN BUY 4 QTS=1GAL	0.031 QT
MJ5001A14	DYNAPRO SEALANT, CP MTR VC#2508050 (603	0.026 EA
MJ5002A01	SILICON RUBBER SEALANT, 732CL 10.3 OZ TU	0.025 EA
LB1115N	LABEL,LIFTING DEVICE (ON ROLLS)	1.000 EA
LB1002N	LABEL,MARINE DUTY (ON ROLLS)	1.000 EA
10EP1110A44GP6	FREP, MACH W/PRIMER & GREEN PAINT	1.000 EA
HW4500A21	1618BALEMITE FITTING 825 UNIVERSAL	1.000 EA
HW4500A17	317400 ALEMITE GREASE RELIEF	1.000 EA
HA4054	SHORT T-DRAIN FITTING, .125" N.P.T.	1.000 EA
HA4051A00	PLASTIC CAP FOR GREASE FITTING	1.000 EA
MJ1000A02	GREASE, MOBIL POLYREX EM - 124047	0.130 LB
HW4500A17	317400 ALEMITE GREASE RELIEF	1.000 EA
HW4500A03	GREASE FITTING, .125 NPT 1610(ALEMITE) 8	1.000 EA
HA4054	SHORT T-DRAIN FITTING, .125" N.P.T.	1.000 EA
HA4051A00	PLASTIC CAP FOR GREASE FITTING	1.000 EA

Product Information Packet: CECP4103T-5 - 25HP,1770RPM,3PH,60HZ,286TC,1056M,TEFC,F

HW2500A25	WOODRUFF KEY USA #1008 #BLOW CARBON STEE	1.000 EA
MG1025N19	WILKOFAS, 778.50, RELIANCE BLUE-GREEN	0.070 GA
85XU0407S04	4X1/4 U DRIVE PIN STAINLESS	4.000 EA
LB1119N	WARNING LABEL	1.000 EA
LB1417	LABEL CARTON 6X4 PERFORATED BLANK ROLLS	1.000 EA
LC0006	CONNECTION LABEL	1.000 EA
NP3241	SS SUPER-E INV UL CSA-EEV PREM CC	1.000 EA
10PA1000	PACKAGING GROUP COMBINED PRINT PK1023A06	1.000 EA
LB1449	DIV-2/NEC WARNING LABEL	1.000 EA
MN416A01	TAG-INSTAL-MAINT no wire (2100/bx) 4/22	1.000 EA

AC Induction Motor Performance Data

Record # 62098

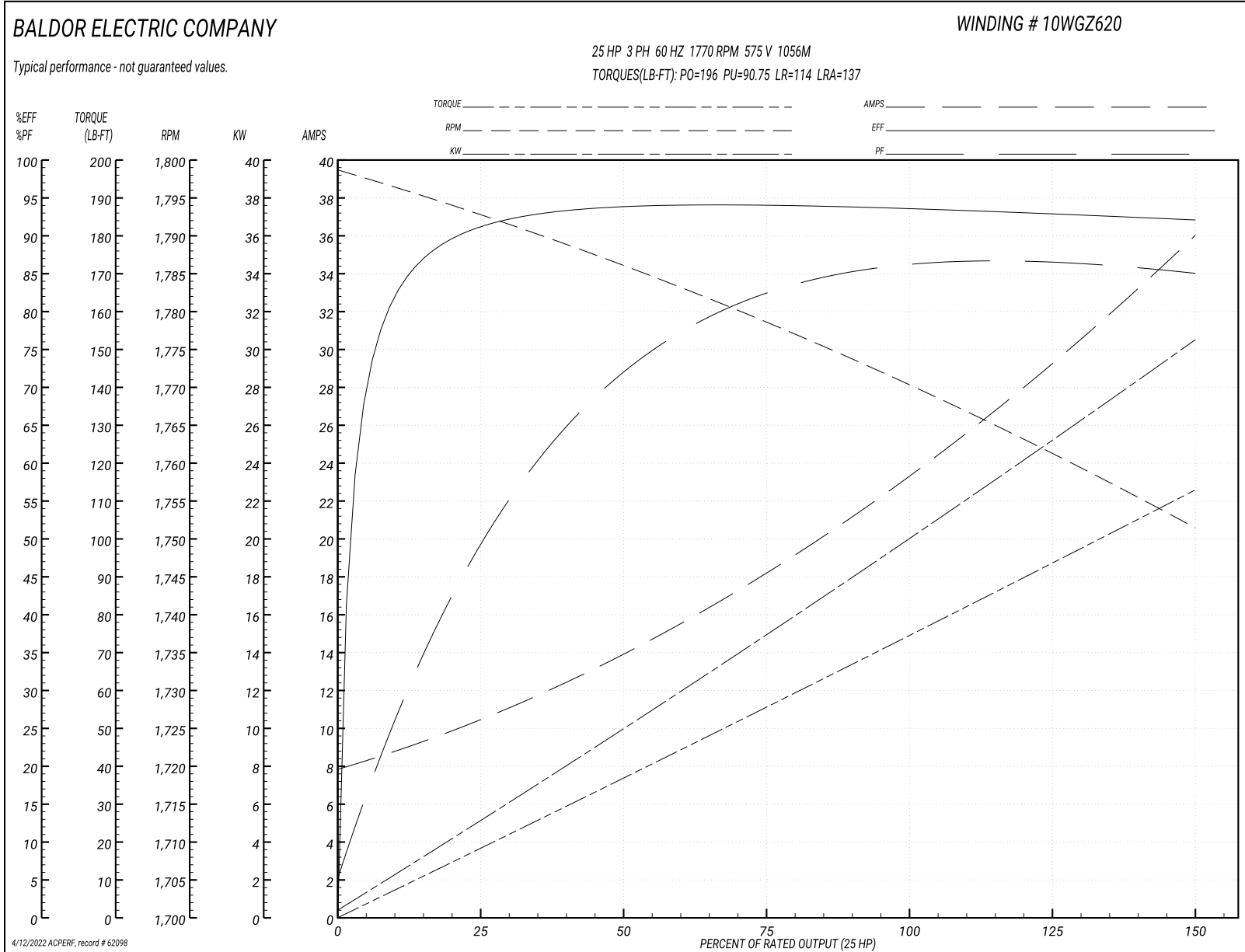
Typical performance - not guaranteed values

Winding: 10WGZ620-R001		Type: 1056M	Enclosure: TEFC	
Nameplate Data			575 V, 60 Hz: Single Voltage Motor	
Rated Output (HP)	25	Full Load Torque	74.36 LB-FT	
Volts	575	Start Configuration	direct on line	
Full Load Amps	24	Breakdown Torque	196 LB-FT	
R.P.M.	1770	Pull-up Torque	90.75 LB-FT	
Hz	60 Phase	Locked-rotor Torque	114 LB-FT	
NEMA Design Code	B KVA Code	Starting Current	137 A	
Service Factor (S.F.)	1.15	No-load Current	8.24 A	
NEMA Nom. Eff.	93.6 Power Factor	Line-line Res. @ 25°C	0.463 Ω	
Rating - Duty	40C AMB-CONT	Temp. Rise @ Rated Load	54°C	
S.F. Amps		Temp. Rise @ S.F. Load	67°C	
		Locked-rotor Power Factor	30.4	
		Rotor inertia	4.46 LB-FT ²	

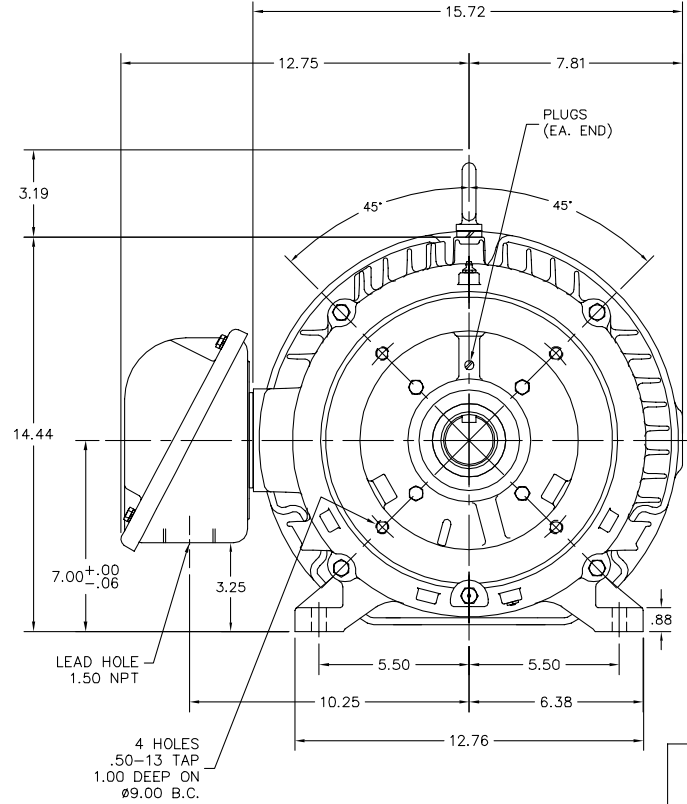
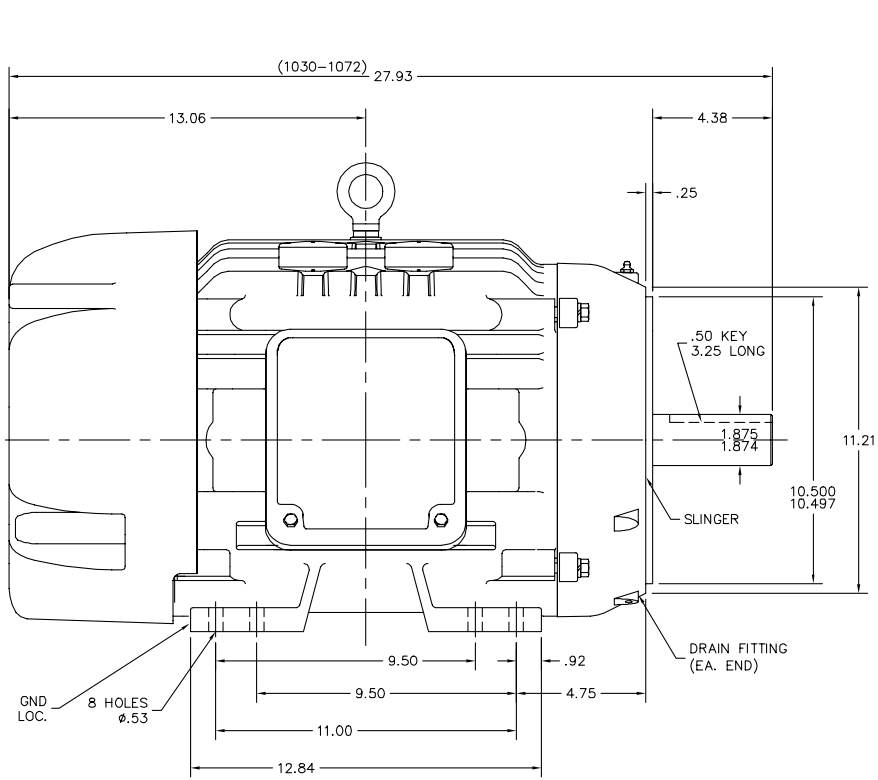
Load Characteristics 575 V, 60 Hz, 25 HP

% of Rated Load	25	50	75	100	125	150	S.F.
Power Factor	51	73	82	85	86	86	86
Efficiency	91	93.8	94.1	93.7	92.8	92.1	93.1
Speed	1793	1785	1779	1771	1762	1751	1766
Line amperes	9.93	13.55	18.28	23.59	29.19	35.78	27

Performance Graph at 575V, 60Hz, 25.0HP Typical performance - Not guaranteed values



10LYH412



10LYH412

CUSTOMER IS RESPONSIBLE FOR DETERMINING THAT BALDOR'S PRODUCT WILL PERFORM SUITABLY IN THE INTENDED APPLICATION.

REV. DESC: REVISED TO ADD 72 STACK TO LAYOUT		
REV. LTR: C	VERSION: 03	TDR: 000001141801
FILE: \AAA\00178\757	REVISED: 01:09:58 06/10/2020	BY: USSADEL11
MTL: -		

BALDOR - RELIANCE[®]
 HORZ TEFC 284-6TC ECP W/311 BRGS & PLS
 SH 1 of 1

CD0006



NOTES:

1. THREE LEAD MOTOR MAY BE EITHER WYE CONNECTED OR DELTA CONNECTED.
2. INTERCHANGE ANY TWO LINE LEADS TO REVERSE ROTATION.
3. OPTIONAL THERMOSTATS ARE PROVIDED WHEN SPECIFIED.
4. ACTUAL NUMBER OF INTERNAL PARALLEL CIRCUITS MAY VARY.
5. LEAD COLORS ARE OPTIONAL. LEADS MUST BE NUMBERED AS SHOWN.

CD0006

REV. DESC: ADD CLASS CONN00000007		
REV. LTR: E	VERSION: 01	TDR: 000001099922
FILE: \AAA\00005\141	REVISED: 10:24:49 02/19/2019	BY: ENBRIRO
MTL: -	© □	

BALDOR - RELIANCE®

3PH, SV, 3 LEADS, WYE OR DELTA CONNECTED

SH 1 of 1

Marketing maintained PDF of MN416:

<http://www.baldor.com/support/Literature/Load.ashx/MN416?ManNumber=MN416>