

BALDOR® • RELIANCE 

Product Information Packet

CECP4103T

25HP, 1770RPM, 3PH, 60HZ, 286TC, 1056M, TEFC, F

Part Detail							
Revision:	F	Status:	PRD/A	Change #:		Proprietary:	No
Type:	AC	Elec. Spec:	10WGZ624	CD Diagram:	CD0005	Mfg Plant:	
Mech. Spec:	10H412	Layout:	10LYH412	Poles:	04	Created Date:	04-03-2017
Base:	RG	Eff. Date:	01-05-2021	Leads:	9#10		

Specs			
Catalog Number:	CECP4103T	Heater Indicator:	No Heater
Enclosure:	TEFC	Insulation Class:	F
Frame:	286TC	Inverter Code:	Inverter Duty
Frame Material:	Iron	KVA Code:	F
Output @ Frequency:	25.000 HP @ 60 HZ	Lifting Lugs:	Standard Lifting Lugs
Synchronous Speed @ Frequency:	1800 RPM @ 60 HZ	Locked Bearing Indicator:	Locked Bearing
Voltage @ Frequency:	460.0 V @ 60 HZ	Motor Lead Quantity/Wire Size:	9 @ 10 AWG
	230.0 V @ 60 HZ	Motor Lead Exit:	Ko Box
XP Class and Group:	CLI GP A,B,C,D	Motor Lead Termination:	Flying Leads
XP Division:	Division II	Motor Type:	1056M
Agency Approvals:	CSA	Mounting Arrangement:	F1
	CSA EEV	Power Factor:	85
	UR	Product Family:	Super-E Chemical Processing
Auxillary Box:	No Auxillary Box	Pulley End Bearing Type:	Ball
Auxillary Box Lead Termination:	None	Pulley Face Code:	C-Face
Base Indicator:	Rigid	Pulley Shaft Indicator:	Standard
Bearing Grease Type:	Polyrex EM (-20F +300F)	Rodent Screen:	None
Blower:	None	Shaft Extension Location:	Pulley End

Constant Torque Speed Range:	1.0	Shaft Ground Indicator:	No Shaft Grounding
Current @ Voltage:	30.000 A @ 460.0 V	Shaft Rotation:	Reversible
	60.000 A @ 230.0 V	Shaft Slinger Indicator:	Shaft Slinger
Design Code:	B	Speed Code:	Single Speed
Drip Cover:	No Drip Cover	Motor Standards:	NEMA
Duty Rating:	CONT	Starting Method:	Direct on line
Electrically Isolated Bearing:	Not Electrically Isolated	Thermal Device - Bearing:	None
Enclosure Modification:	Severe Duty Features	Thermal Device - Winding:	None
Feedback Device:	NO FEEDBACK	Vibration Sensor Indicator:	No Vibration Sensor
Front Face Code:	Standard	Winding Thermal 1:	None
Front Shaft Indicator:	None	Winding Thermal 2:	None
		XP Temp Code:	T3C

Nameplate NP3241

CAT.NO.	CECP4103T	P/N		ENCLOSURE	TEFC
SPEC.	10H412Z624G1	CC	010A	FRAME	286TC
HP	25	CLASS	F	HZ	60
RPM	1770	DES	B		
VOLT	230/460	RPM MAX	2700	PH	3
AMP	60/30	MOTOR WEIGHT	437	KVA-CODE	F
RATING	40C AMB-CONT	SER.F.	1.15	PF	85
		NEMA-NOM-EFF	93.6	ODE BRG	6311
				DE BRG	6311
				GREASE	POLYREX EM
				INV.TYPE	PWM
TEMP CODE	T3C	INVERTER-TEMP-CODE	180		
TEMP =	160	C HP FR	60	C HP TO	90
CT HZ FROM	1.0	CT HZ TO	60		
HTR-VOLTS		HTR-AMPS		HTR-WATTS	
				MAX. SPACE HEATER TEMP.	
				VT HZ FROM	0
				VT HZ TO	60

Parts List		
Part Number	Description	Quantity
SA336615	SA 10H412Z624G1	1.000 EA
RA324870	RA 10H412Z624G1	1.000 EA
09FN3001C02	EXTERNAL FAN, PLASTIC (COMES W/SCREW FRO	1.000 EA
10CB1000A09P	KOBX, MACH W/1.50 NPT & PRIMER	1.000 EA
09GS1010	GASKET, DWG, LEADWIRE SEPERATOR	1.000 EA
10XN3118K16	5/16-18 X 1' GRADE #5, STL, ZINC PLATE	4.000 EA
HW1001A31	LOCKWASHER 5/16, ZINC PLT.591 OD, .319 I	4.000 EA
WD1000B16	T&B CX70TN OR L70P TERMINAL LUG	1.000 EA
10XN2520K06	1/4-20 X 3/8" HX HD SCREWGRADE 5, ZINC P	1.000 EA
HW1001A25	LOCKWASHER 1/4, ZINC PLT .493 OD, .255 I	1.000 EA
10XN3816K28	3/8-16 X 1.75 HEX HD CAP SCREW, GRADE 5	4.000 EA
HW1001A38	LOCKWASHER 3/8, ZINC PLT .688 OD, .382 I	4.000 EA
HW4600B40	V-RING SLINGER 2.000 X 2.680 X .28 VITON	1.000 EA
HW5100A13	W4627-047 WVY WSHER	1.000 EA
HW4500A20	1/8NPT SL PIPE PLUG	1.000 EA
HA4017A11	1/8 X 2.75 GREASE EXT (F/S)	1.000 EA
HA4017A03	.125 X 1.75 GREASE EXT (F/S)	1.000 EA
HW4019A01	PIPE COUPLING 1/8 NPT,STEEL,ZINC COATING	1.000 EA
10XN3118K40	5/16-18 X 2.25" HEX HD, GRADE 5	4.000 EA
10EP1305A117P	PU ENDPLATE, MACH W/EPOXY	1.000 EA
10XN3816K28	3/8-16 X 1.75 HEX HD CAP SCREW, GRADE 5	4.000 EA
HW1001A38	LOCKWASHER 3/8, ZINC PLT .688 OD, .382 I	4.000 EA
HW4500A20	1/8NPT SL PIPE PLUG	1.000 EA
HW4600B40	V-RING SLINGER 2.000 X 2.680 X .28 VITON	1.000 EA

Parts List (continued)		
Part Number	Description	Quantity
10XN3118K40	5/16-18 X 2.50" HEX HD, GRADE 5	4.000 EA
10FH1007P	FAN COVER, CAST W/EPOXY PRIMER	1.000 EA
10XN3118K20	5/16-18 X 1 1/4 GRADE 5 STEEL ZC PLATED	3.000 EA
HW1001A31	LOCKWASHER 5/16, ZINC PLT.591 OD, .319 I	3.000 EA
10CB1503A01P	CONDUIT BOX LIPPED LID, MACH W/EPXY PRMR	1.000 EA
14GS1003	GASKET CONDUIT BOX LID, NEOP	1.000 EA
10XN2520K16	1/4-20 X 1" HX HD SCRW GRADE 5, ZINC P	4.000 EA
HW1001A25	LOCKWASHER 1/4, ZINC PLT .493 OD, .255 I	4.000 EA
HW2501H28	KEY, 1/2 SQ X 3.250	1.000 EA
MJ5001A27	32220KN GRAY SEALER *MIN BUY 4 QTS=1GAL	0.031 QT
MJ5001A14	DYNAPRO SEALANT, CP MTR VC#2508050 (603	0.026 EA
MJ5002A01	SILICON RUBBER SEALANT, 732CL 10.3 OZ TU	0.025 EA
LB1115N	LABEL,LIFTING DEVICE (ON ROLLS)	1.000 EA
LB1002N	LABEL,MARINE DUTY (ON ROLLS)	1.000 EA
10EP1110A44GP6	FREP, MACH W/PRIMER & GREEN PAINT	1.000 EA
HW4500A21	1618BALEMITE FITTING 825 UNIVERSAL	1.000 EA
HW4500A17	317400 ALEMITE GREASE RELIEF	1.000 EA
HA4054	SHORT T-DRAIN FITTING, .125" N.P.T.	1.000 EA
HA4051A00	PLASTIC CAP FOR GREASE FITTING	1.000 EA
MJ1000A02	GREASE, MOBIL POLYREX EM - 124047	0.130 LB
HW4500A17	317400 ALEMITE GREASE RELIEF	1.000 EA
HW4500A03	GREASE FITTING, .125 NPT 1610(ALEMITE) 8	1.000 EA
HA4054	SHORT T-DRAIN FITTING, .125" N.P.T.	1.000 EA
HA4051A00	PLASTIC CAP FOR GREASE FITTING	1.000 EA

Product Information Packet: CECP4103T - 25HP,1770RPM,3PH,60HZ,286TC,1056M,TEFC,F

HW2500A25	WOODRUFF KEY USA #1008 #BLOW CARBON STEE	1.000 EA
MG1025N19	WILKOFAS, 778.50, RELIANCE BLUE-GREEN	0.070 GA
85XU0407S04	4X1/4 U DRIVE PIN STAINLESS	4.000 EA
LB1119N	WARNING LABEL	1.000 EA
LC0005	CONN.DIA.,TY M,9-LD,DUAL VOLT,REVERSING	1.000 EA
NP3241	SS SUPER-E INV UL CSA-EEV PREM CC	1.000 EA
10PA1000	PACKAGING GROUP COMBINED PRINT PK1023A06	1.000 EA
LB1449	DIV-2/NEC WARNING LABEL	1.000 EA
MN416A01	TAG-INSTAL-MAINT no wire (2100/bx) 4/22	1.000 EA

AC Induction Motor Performance Data

Record # 62432

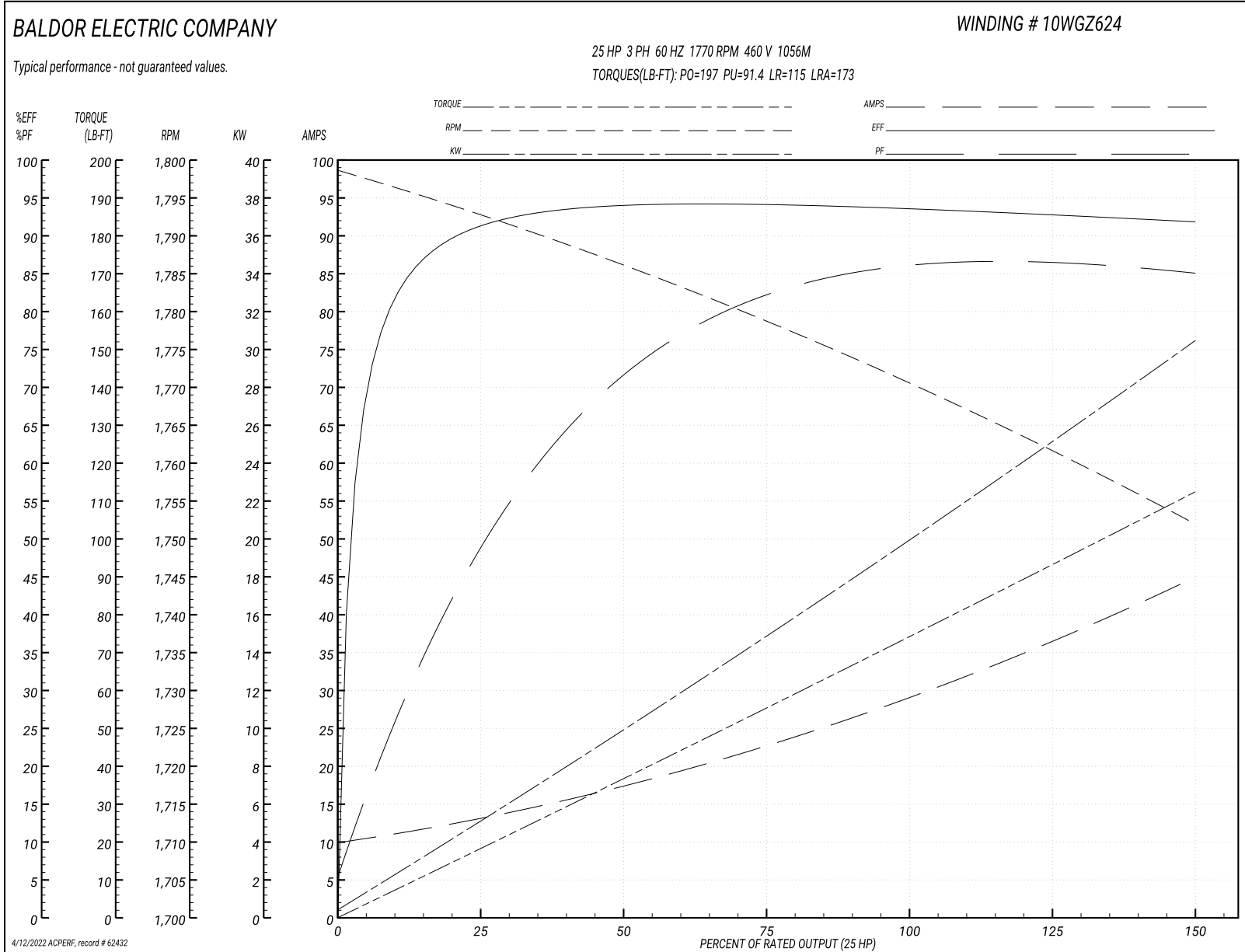
Typical performance - not guaranteed values

Winding: 10WGZ624-R001		Type: 1056M		Enclosure: TEFC	
Nameplate Data			460 V, 60 Hz: High Voltage Connection		
Rated Output (HP)	25	Full Load Torque	74.31 LB-FT		
Volts	460	Start Configuration	direct on line		
Full Load Amps	30	Breakdown Torque	197 LB-FT		
R.P.M.	1770	Pull-up Torque	91.4 LB-FT		
Hz	60 Phase	3	Locked-rotor Torque	115 LB-FT	
NEMA Design Code	B KVA Code	F	Starting Current	173 A	
Service Factor (S.F.)	1.15	No-load Current	10.4 A		
NEMA Nom. Eff.	93.6	Power Factor	85	Line-line Res. @ 25°C	0.29877 Ω
Rating - Duty	40C AMB-CONT		Temp. Rise @ Rated Load	54°C	
S.F. Amps			Temp. Rise @ S.F. Load	67°C	
			Locked-rotor Power Factor	30.3	

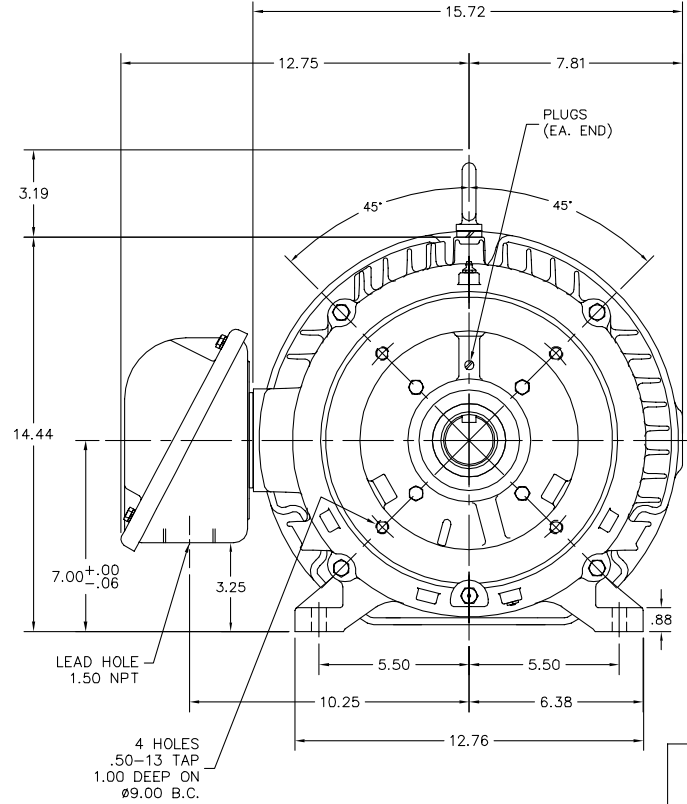
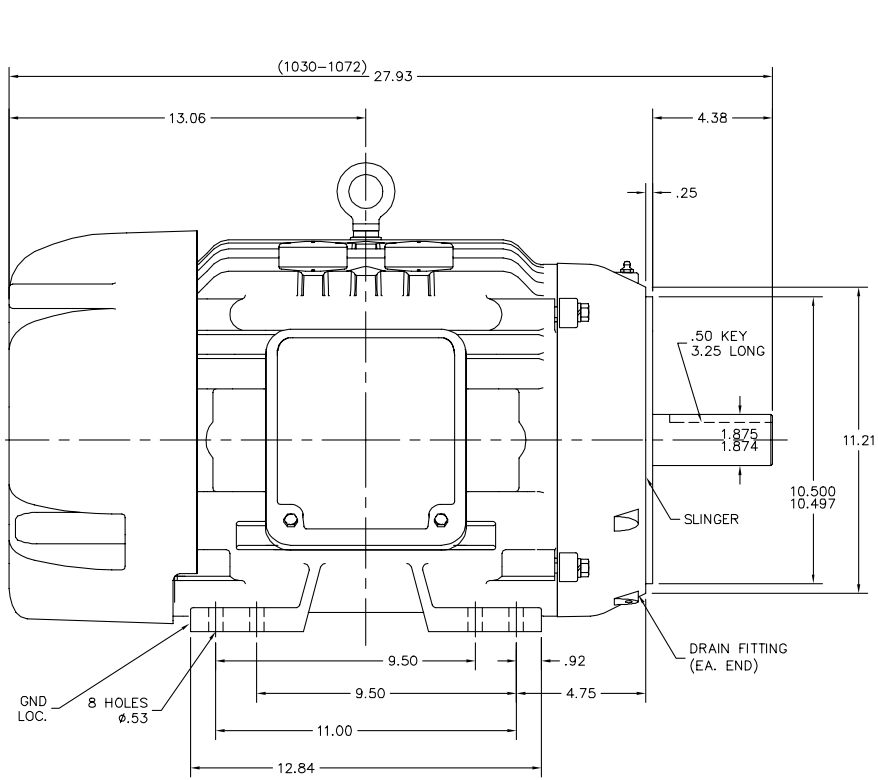
Load Characteristics 460 V, 60 Hz, 25 HP

% of Rated Load	25	50	75	100	125	150	S.F.
Power Factor	51	73	81	85	86	86	86
Efficiency	91	93.8	94.1	93.7	92.9	91.8	93.2
Speed	1792.8	1785.5	1778.9	1770.7	1762.4	1751.5	1766
Line amperes	12.5	17	22.9	29.5	36.5	44.7	33.7

Performance Graph at 460V, 60Hz, 25.0HP Typical performance - Not guaranteed values



10LYH412



10LYH412

CUSTOMER IS RESPONSIBLE FOR DETERMINING THAT BALDOR'S PRODUCT WILL PERFORM SUITABLY IN THE INTENDED APPLICATION.

REV. DESC: REVISED TO ADD 72 STACK TO LAYOUT		
REV. LTR: C	VERSION: 03	TDR: 000001141801
FILE: \AAA\00178\757	REVISED: 01:09:58 06/10/2020	BY: USSADEL11
MTL: -		

BALDOR - RELIANCE[®]
 HORZ TEFC 284-6TC ECP W/311 BRGS & PLS
 SH 1 of 1

CD0005

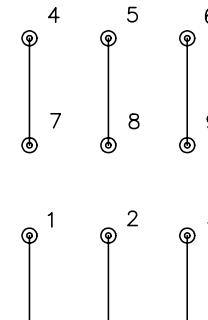


LOW VOLTAGE
(2Y)



LINE

HIGH VOLTAGE
(1Y)



LINE

NOTES:

1. INTERCHANGE ANY TWO LINE LEADS TO REVERSE ROTATION.
2. OPTIONAL THERMOSTATS ARE PROVIDED WHEN SPECIFIED.
3. ACTUAL NUMBER OF INTERNAL PARALLEL CIRCUITS MAY BE A MULTIPLE OF THOSE SHOWN ABOVE.
4. LEAD COLORS ARE OPTIONAL. LEADS MUST ALWAYS BE NUMBERED AS SHOWN.

REV. DESC: REVISE TO SHOW OPTIONAL COLORS			
REV. LTR: E	BY: JLP	REVISED: 01/19/99 10:15	TDR: 0171435
900000		FILE: AAA00005140	MDL: -
		MTL: -	

BALDOR ELECTRIC Co.

3PH, DV, 9 LEADS

CD0005

Marketing maintained PDF of MN416:

<http://www.baldor.com/support/Literature/Load.ashx/MN416?ManNumber=MN416>