

BALDOR • RELIANCE

Customer information packet

CECP4312T

50HP, 1185RPM, 3PH, 60HZ, 365TC, A36062M, TEFC

Class - CLI GP A,B,C,D

Division - Division II

Specifications

Enclosure	TEFC
Frame	365TC
Frame Material	Iron
Frequency	60.00 Hz
Motor Letter Type	Three Phase
Output @ Frequency	50.000 HP @ 60 HZ
Phase	3
Synchronous Speed @ Frequency	1200 RPM @ 60 HZ
Voltage @ Frequency	230.0 V @ 60 HZ 460.0 V @ 60 HZ
XP Class and Group	CLIP A,B,C,D
XP Division	Division II
Agency Approvals	CSA EEV NEMA PREMIUM UR CCSA US
Ambient Temperature	40 °C
Auxillary Box	No Auxillary Box
Base Indicator	Rigid
Bearing Grease Type	Polyrex EM (-20F +300F)
Constant Torque Speed Range	6-60
Current @ Voltage	123.000 A @ 230.0 V 61.700 A @ 460.0 V
Design Code	B
Drip Cover	No Drip Cover
Duty Rating	CONT
Efficiency @ 100% Load	94.1 %
Feedback Device	NO FEEDBACK
Heater Indicator	No Heater
High Voltage Full Load Amps	61.7 a
Insulation Class	F
Inverter Code	Inverter Ready

Part detail

Revision	M
Type	AC
Mech. spec.	
Base	
Status	PRD/A
Elec. spec.	A36WG0466
Layout	617428-136
Eff. date	07-01-2022
CD Diagram	416820-002
Poles	06
Leads	3#4,6#6
Proprietary	False
Created date	11-27-2013

KVA Code	F
Lifting Lugs	Standard Lifting Lugs
Motor Lead Quantity/Wire Size	3 @ 4 AWG
Motor Standards	NEMA
Motor Type	A36062M
Mounting Arrangement	F1
Number of Poles	6
Overall Length	33.44 IN
Power Factor	81
Product Family	General Industrial
Pulley End Bearing Type	Ball
Pulley Face Code	C-Face
Service Factor	1.15
Shaft Diameter	2.375 IN
Shaft Ground Indicator	No Shaft Grounding
Shaft Rotation	Reversible
Shaft Slinger Indicator	Shaft Slinger
Speed	1185 rpm
Speed Code	Single Speed
Starting Method	Direct on line
Thermal Device - Bearing	None
Thermal Device - Winding	None
XP Temp Code	T3A

Nameplate

NP4033LUA

CAT #	CECP4312T			SER				CC	010A			
SPEC	A36-4049-0466			RATING	40C AMB-CONT							
HZ	VOLTS		AMPS		RPM	HP	CODE	SF	DES	PF	NEMA NOM. EFF	
60	230/460		123/61.7		1185	50	F	1.15	B	81 %	94.1 %	
										%	%	
PH	3	CL	F	MAX RPM	1800	MAX CORR KVAR	14	USABLE AT 208V		135	A	
BRG	DE	6313	ODE	6313	ENCL	TEFC	FR	365TC	IP	55		
GREASE	POLYREX EM						MTR WT	893	LBS			
	CL I DIV 2 GRPS A,B,C,D				CL I ZONE 2 GRPS			IIA,IIB,IIC		TEMP T	200	C
INV READY	CT	15-60	HZ	4:1	VT	3-60	HZ	20:1	CHP	60-90	HZ	1.5:1
INV TEMP CL	200	C	USABLE AT	50HZ 40HP 190/380V 120/60A						SF1.0		

Parts list

Part number	Description	Quantity
SA272932	SA A36-4049-0466	1.000 ea
RA259537	RA A36-4049-0466	1.000 ea
421948032	LABEL, MYLAR	1.000 ea
NP4033LUA	SS SUPER-E SD XEX CLI DIV2 UR CSA-C US-E	1.000 ea
000692000VD	LABEL WARNING	1.000 ea
085922073B	BRKT 360 085922072WCC KB	1.000 ea
415072001B	CLAMP	1.000 ea
078559001A	+FANCV - 360	1.000 ea
034180012DA	KEY 1X4X1/4X1-1/2 L	1.000 ea
412118006A	DRAIN	1.000 ea
078550001M	FAN KB 60/30 (30) 360	1.000 ea
004824015A	GREASE POLYREX EM	0.540 lb
032018012DK	HHCS 1/2-13X1-1/2 PLTD. 032018012DR	4.000 ea
032018008AK	HHCS 1/4-20X1 PLATED	4.000 ea
032018024CK	HHCS 3/8-16X3 PLTD.	3.000 ea
415096002A	CPLG 1/8 HEX TYPE	1.000 ea
415045002E	SLGR	1.000 ea
410700004F	WSHR	1.000 ea
034530052AB	P/NIP 1/8X6-1/2 Zinc	1.000 ea
034690002AB	PPLG 1/4" PLTD.	1.000 ea
034690002AB	PPLG 1/4" PLTD.	1.000 ea
085922070B	BRKT 360 085922069WCA	1.000 ea
032018012DK	HHCS 1/2-13X1-1/2 PLTD. 032018012DR	4.000 ea
032018024CK	HHCS 3/8-16X3 PLTD.	3.000 ea
415045002E	SLGR	1.000 ea
412118006A	DRAIN	1.000 ea
076708000BB	CONDUIT BOX-360	1.000 ea
065776000C	GASKET,MAIN CBOX, 320-400	1.000 ea
076709000A	C/B Cover - 360	1.000 ea
067053000B	GASK 320-400	1.000 ea
418150003A	GREASE FITTING CAP	1.000 ea

032018010CK	HHCS 3/8-16X1-1/4 PLTD. 032018010CR	4.000 ea
035000001A	ALFTG 1/8" 1610-BL	1.000 ea
415000115H	T/LUG #2AWG-4/0AWG	1.000 ea
033512008LB	HHTTS 1/4-20X1 PLATED	4.000 ea
406099000A	PLUG - FAN COVER 320-440	1.000 ea
034000014AB	WSH ID.406 OD.812 TH.065	4.000 ea
048977006B	GRFTG - XP	1.000 ea
035000001A	ALFTG 1/8" 1610-BL	1.000 ea
418150003A	GREASE FITTING CAP	1.000 ea
MG1025N19	WILKO 778.50 BLUE GREEN - 55 GAL DRUMS	0.250 ga
033775004EA	DRSCR #6-1/4 304 S.S.	4.000 ea
034180034HA	KEY 5/8X5/8X4-1/4 L	1.000 ea
HW1000A32	5/16 FL WASHER WIDE,ID=.344,OD=1.125	3.000 ea
032509020C	CARRIAGE BOLT - 360	3.000 ea
LB1449	DIV-2/NEC WARNING LABEL	1.000 ea
14PA1000	PACKAGING 314 GROUP COMBINED PRINT	1.000 ea
032018005DL	1/2-13 X 5/8 SILICON BRONZE HHCS	1.000 ea

617428-136

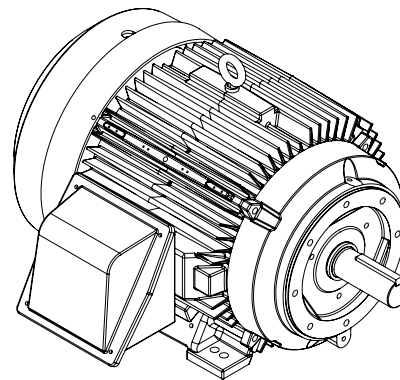
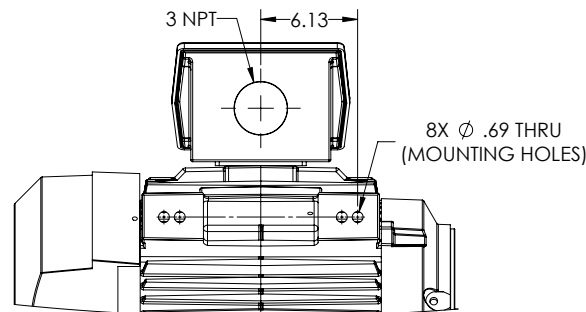
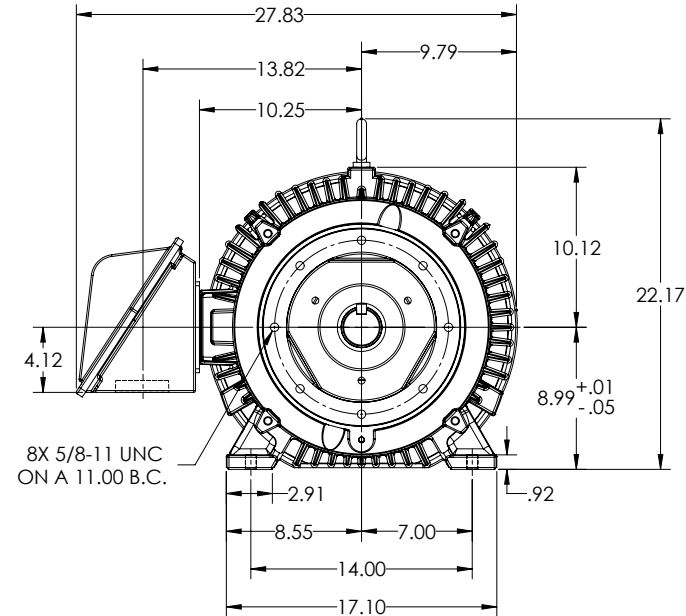
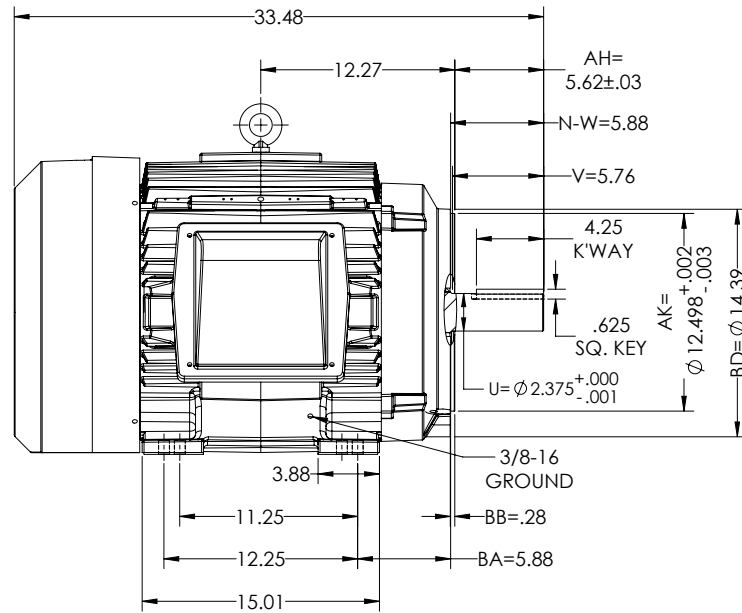
DUTY MASTER ALTERNATING CURRENT MOTORS
SQUIRREL-CAGE INDUCTION

ENCLOSURE: TOTALLY ENCLOSED

MOUNTING: FOOT, F-1 SIDE

E365TC/E364TC MOUNTING HOLES

COOLING: FAN COOLED



SHEET NUMBER
1 OF 1

FACE & ECCENTRICITY RUNOUT = .007 T.I.R. MAX.
IF MOUNTING CLEARANCE DETAILS ARE REQUIRED, CONSULT FACTORY.
MAX PERMISSIBLE SHAFT RUNOUT WHEN MEASURED AT END OF STANDARD SHAFT EXTENSION IS .003" T.I.R.

CUSTOMER IS RESPONSIBLE FOR DETERMINING THAT MOTOR PERFORMANCE IS SUITABLE IN THE APPLICATION.

REV. DESC: UPDATE DRAWING DESC.			
REV: B	VERSION: 02	REVISED: 11-33-13 12/20/2019	TDR: 000001128374
MODEL NO. 617428-136		BY: RAGRSS1	

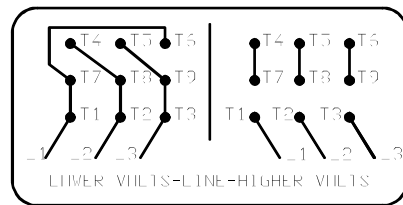
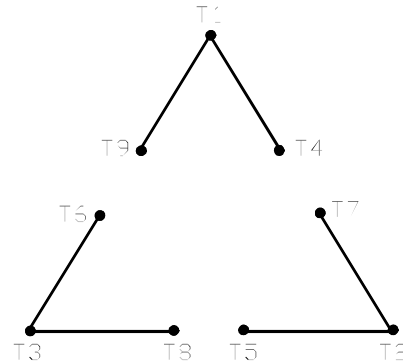
BALDOR

E3654TC TEFC F1 FT C1

617428-136

416820-002

A-C MOTOR
 CONNECTION DIAGRAM
 STANDARD 9 LEAD DELTA-CONNECTED



(N.P. 1575-B)

416820-002

REV. DESC: FONT CHANGE FOR PDF SEARCHABLE		
REV. LTR: A	VERSION: 01	TDR: 000001009382
FILE: \MGA\00000\661	REVISED: 02:46:19 02/13/2020	BY: MGHMTT
MTL: -	© □	

BALDOR - RELIANCE®

CONN DIAG - STANDARD 9 LEAD, DELTA-CONNECTED

SH 1 of 1