

BALDOR • RELIANCE

Customer information packet

CECP4402T-4

100HP, 3565RPM, 3PH, 60HZ, 405TSC, A40060M, TE

Class - None

Division - Not Applicable

Specifications

Enclosure	TEFC
Frame	405TSC
Frame Material	Iron
Frequency	60.00 Hz
Motor Letter Type	Three Phase
Output @ Frequency	100.000 HP @ 60 HZ
Phase	3
Synchronous Speed @ Frequency	3600 RPM @ 60 HZ
Voltage @ Frequency	460.0 V @ 60 HZ
XP Class and Group	None
XP Division	Not Applicable
Agency Approvals	CSA EEV
Ambient Temperature	40 °C
Auxillary Box	No Auxillary Box
Base Indicator	Rigid
Bearing Grease Type	Polyrex EM (-20F +300F)
Current @ Voltage	110.000 A @ 460.0 V
Design Code	B
Drip Cover	No Drip Cover
Duty Rating	CONT
Efficiency @ 100% Load	95.0 %
Feedback Device	NO FEEDBACK
Heater Indicator	No Heater
High Voltage Full Load Amps	110.0 a
Insulation Class	F
Inverter Code	Inverter Ready
KVA Code	F
Lifting Lugs	Standard Lifting Lugs
Motor Lead Quantity/Wire Size	3 @ 2 AWG
Motor Standards	NEMA
Motor Type	A40060M
Mounting Arrangement	F1

Part detail

Revision	C
Type	AC
Mech. spec.	
Base	
Status	PRD/A
Elec. spec.	A40WG0061
Layout	617429-504
Eff. date	07-06-2022
CD Diagram	416820-036
Poles	02
Leads	3#2
Proprietary	False
Created date	07-22-2014

Number of Poles	2
Overall Length	35.04 IN
Power Factor	90
Pulley End Bearing Type	Ball
Pulley Face Code	Standard
Service Factor	1.15
Shaft Ground Indicator	No Shaft Grounding
Shaft Rotation	Reversible
Shaft Slinger Indicator	Shaft Slinger
Speed	3565 rpm
Speed Code	Single Speed
Starting Method	Direct on line
Thermal Device - Bearing	None
Thermal Device - Winding	None

Nameplate

NP3238

SPEC NO.	A40-6174-0061										
HP	100	AMPS	110	VOLTS	460	DESIGN	B				
FRAME	405TSC	RPM	3565	HZ	60	AMB	40	SF	1.15		
D.E. BRG.DATA	6313	O.D.E. BRG.DATA	6313	PH	3	DUTY	CONT	INSUL.CLASS	F		
D.E. BRG.	65BC03J30X	TYPE	P	ENCL	TEFC	CODE	F				
O.D.E. BRG.	65BC03J30X	POWER FACTOR	90	NEMA NOM EFFICIENCY	95						
3/4 LOAD EFF.	95.1	MAX CORR KVAR	10.0	GUARANTEED EFFICIENCY	94.1						
TEMP CODE	T3	TEMP =	200								
CHP HZ	60-75	CT HZ	6-60	VT HZ	6-60						
INVERTER-TEMP-CODE	T3										
SER.NO.				MOTOR WEIGHT							

Parts list

Part number	Description	Quantity
SA284327	SA A40-6174-0061	1.000 ea
RA270597	RA A40-6174-0061	1.000 ea
NP3238	SS CP XEX SEVERE DUTY MAIN NP	1.000 ea
000692000VD	LABEL WARNING	1.000 ea
000692000FF	N/P	1.000 ea
004824015A	GREASE POLYREX EM	0.544 lb
032018008CK	HHCS 3/8-16X1L PLATED	4.000 ea
032018020EK	HHCS 5/8-11X2-1/2 PLTD.	4.000 ea
032018024CK	HHCS 3/8-16X3 PLTD.	3.000 ea
034000014AB	WSH ID.406 OD.812 TH.065	4.000 ea
034017014AB	LCKW 3/8 STD. PLATED	4.000 ea
034180008DA	KEY 1/4X1/4X1 L (shipping)	1.000 ea
034530052AB	P/NIP 1/8X6-1/2 Zinc	1.000 ea
034530056BB	P/NIP 1/4X7 SCHED 40	1.000 ea
034631002AB	BUSH 1/4 TO 1/8 PLTD.	1.000 ea
034690001AB	1/8" NPT SQHDPLG	1.000 ea
083198101A	G400 STD FAN COVER MACHINING	1.000 ea
034692005AA	P PLUG 3/4"BLK.	1.000 ea
089413501A	G400 FIN/MACH FT MTD BRKT 089413500WCA	1.000 ea
410700004F	WSHR	1.000 ea
415045002E	SLGR	1.000 ea
415072001B	CLAMP	1.000 ea
415096002A	CPLG 1/8 HEX TYPE	1.000 ea
412118006A	DRAIN	1.000 ea
702675001D	FAN 250-440	1.000 ea
032018020EK	HHCS 5/8-11X2-1/2 PLTD.	4.000 ea
032018028CK	HHCS 3/8-16X3-1/2 PLTD.	3.000 ea
034530040AB	P/NIP 1/8X5 GALV.	1.000 ea
034530040BB	P/NIP 1/4X5	1.000 ea
034631002AB	BUSH 1/4 TO 1/8 PLTD.	1.000 ea
034690001AB	1/8" NPT SQHDPLG	1.000 ea

089413502A	G400 STD C-FACE BRKT 6313 089416511WCA	1.000 ea
415045002E	SLGR	1.000 ea
415096002A	CPLG 1/8 HEX TYPE	1.000 ea
412118006A	DRAIN	1.000 ea
032018010CK	HHCS 3/8-16X1-1/4 PLTD. 032018010CR	4.000 ea
033512008LB	HHTTS 1/4-20X1 PLATED	4.000 ea
034000014AB	WSH ID.406 OD.812 TH.065	4.000 ea
035000001A	ALFTG 1/8" 1610-BL	1.000 ea
035000001A	ALFTG 1/8" 1610-BL	1.000 ea
065776000C	GASKET,MAIN CBOX, 320-400	1.000 ea
067053000B	GASK 320-400	1.000 ea
076708000BB	CONDUIT BOX-360	1.000 ea
076709000A	C/B Cover - 360	1.000 ea
406099000A	PLUG - FAN COVER 320-440	1.000 ea
415000115H	T/LUG #2AWG-4/0AWG	1.000 ea
418150003A	GREASE FITTING CAP	1.000 ea
418150003A	GREASE FITTING CAP	1.000 ea
033775004EA	DRSCR #6-1/4 304 S.S.	4.000 ea
034180022GA	KEY 1/2X1/2X2-3/4 L	1.000 ea
MG1025N19	WILKO 778.50 BLUE GREEN - 55 GAL DRUMS	0.375 ga
004824003CBY	WILKO PAINT 060.02 - ACTIVATOR	0.063 ga
421948051	LABEL, MYLAR	1.000 ea
PK5004A02	WOOD BASE 40X32 STACK 2X4 RUNNER	1.000 ea
000613006PU	N/P (RELEASE QTY 10,000) UL CSA LABEL	1.000 ea
032018005DL	1/2-13 X 5/8 SILICON BRONZE HHCS	1.000 ea
LB1449	DIV-2/NEC WARNING LABEL	1.000 ea

DUTY MASTER ALTERNATING CURRENT MOTORS

SQUIRREL-CAGE INDUCTION

ENCLOSURE: TOTALLY ENCLOSED

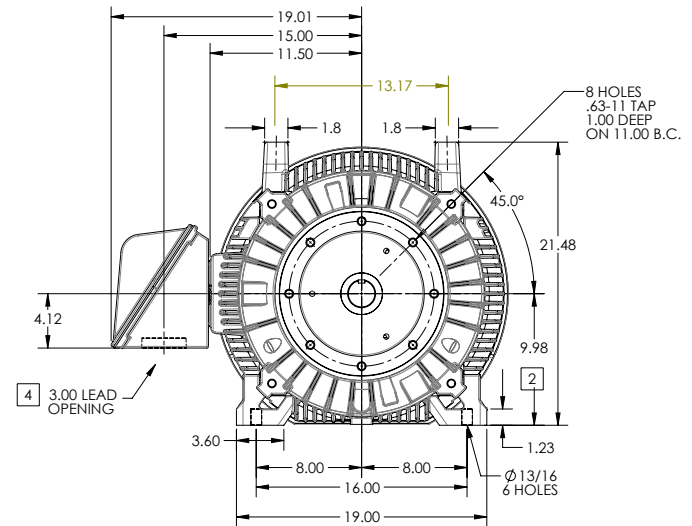
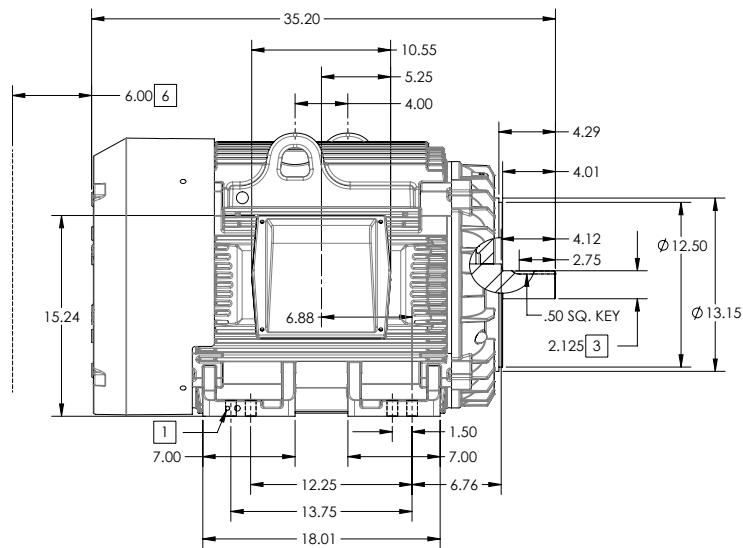
FRAME G405TSC ABOVE NEMA RATINGS

COOLING: FAN COOLED

MOUNTING: FOOT

INCLUDES 404TSC FRAME MOUNTING HOLES

XT/ECP SEVERE DUTY ENCLOSURE



1. GROUND HOLES QTY 1 1/2-13 TAP; QTY 1 3/8-16 TAP
2. VARIES +.00,-.06
3. VARIES +.00,-.001
4. ON STANDARD MOTORS THIS IS CONDUIT SIZE. ON XT AND CORROSION PROOF MOTOR THIS IS PIPE TAP.
5. MOTOR WEIGHTS MAY VARY BY 15% DEPENDING ON RATING.
6. OBSTRUCTION MUST NOT ENCROACH ON AIR INLET
7. MAX FACE RUNOUT AND FIT ECCENTRICITY = 0.007 T.I.R.

[5] WEIGHT (LBS): 1290

CONDUIT BOX LOCATED ON OPPOSITE SIDE WHEN F-2.
IF MOUNTING CLEARANCE DETAILS ARE REQUIRED, CONSULT FACTORY.
MAXIMUM PERMISSIBLE SHAFT RUNOUT WHEN MEASURED AT END OF STANDARD SHAFT EXTENSION IS .003" T.I.R. TO 5 INCH DIA.

DIMENSIONS ARE IN INCHES; SEE SHEET 2 FOR DIMENSIONS IN MILLIMETERS

CUSTOMER IS RESPONSIBLE FOR DETERMINING THAT MOTOR PERFORMANCE IS SUITABLE IN THE APPLICATION.

SHEET NUMBER
1 OF 2

605-627219

REV. DESC-INITIAL RELEASE			
REV: -	VERSION: 00	REVISED: 11-01-44 07/18/2013	TDR: 00000800257
MODEL NO. 617429-504		REF:	
BY: MGHM22	Material:	C	

BALDOR

G405TSC/404TSC STD - FOOTED - XT/ECP SEVERE DUTY ENCLOSURE

DUTY MASTER ALTERNATING CURRENT MOTORS

SQUIRREL-CAGE INDUCTION

ENCLOSURE: TOTALLY ENCLOSED

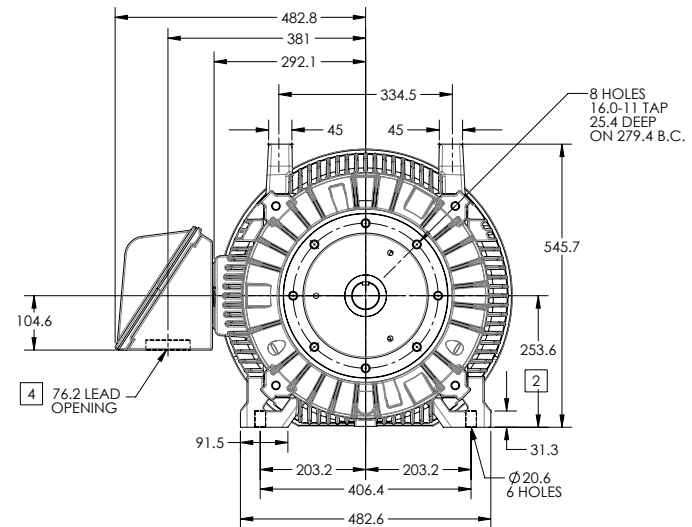
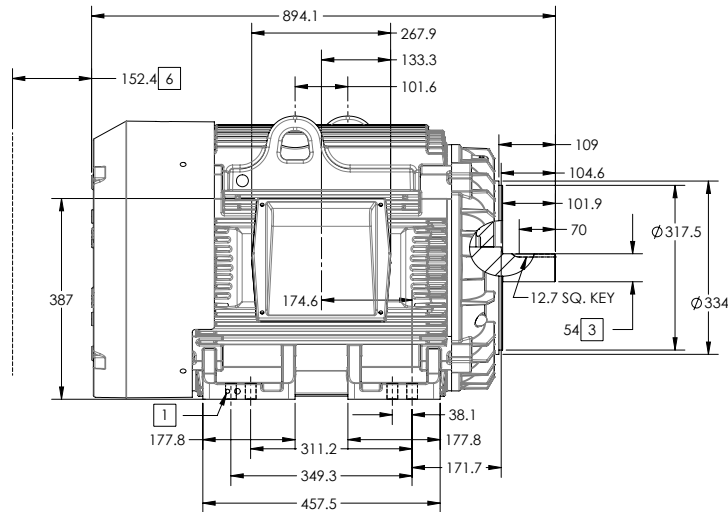
FRAME G405TSC ABOVE NEMA RATINGS

COOLING: FAN COOLED

MOUNTING: FOOT

INCLUDES 404TSC FRAME MOUNTING HOLES

XT/ECP SEVERE DUTY ENCLOSURE



1. GROUND HOLES QTY 1 1/2-13 TAP; QTY 1 3/8-16 TAP
2. VARIES +0,-1.5
3. VARIES +.00,-.03
4. ON STANDARD MOTORS THIS IS CONDUIT SIZE. ON XT AND CORROSION PROOF MOTOR THIS IS PIPE TAP.
5. MOTOR WEIGHTS MAY VARY BY 15% DEPENDING ON RATING.
6. OBSTRUCTION MUST NOT ENCROACH ON AIR INLET
7. MAX FACE RUNOUT AND FIT ECCENTRICITY = 0.178 T.I.R.

[5] WEIGHT (KGS): 590

CONDUIT BOX LOCATED ON OPPOSITE SIDE WHEN F-2.
IF MOUNTING CLEARANCE DETAILS ARE REQUIRED, CONSULT FACTORY.
MAXIMUM PERMISSIBLE SHAFT RUNOUT WHEN MEASURED AT END OF STANDARD SHAFT EXTENSION IS .08 MM T.I.R. TO 127 MM DIA.

DIMENSIONS ARE IN MILLIMETERS; SEE SHEET 1 FOR DIMENSIONS IN INCHES

CUSTOMER IS RESPONSIBLE FOR DETERMINING THAT MOTOR PERFORMANCE IS SUITABLE IN THE APPLICATION.

SHEET NUMBER
2 OF 2

105-627219

REV. DESC: INITIAL RELEASE	VERSION: 00	REVISED: 11-01-44 07/18/2013	TDR: 00000800257
MODEL NO. 617429-504	BY: MGHMMZ2	Material:	REF:

BALDOR

G405TSC/404TSC STD - FOOTED - XT/ECP SEVERE DUTY ENCLOSURE

416820-036

A-C MOTOR
CONNECTION DIAGRAM
STANDARD 3 LEAD CONNECTED



(N.P. 1575-BA)

416820-036

REV. DESC: LOADED TO BUS, C/R 335225		
REV. LTR: -	VERSION: 00	TDR: 000000538207
FILE: \MGA\00000\682	REVISED: 11: 54: 06 04/30/2010	
MTL: -	BY: RAGRA	

BALDOR

CONN DIAG - STANDARD 3 LEAD
SH 1 of 1