

BALDOR® • RELIANCE™

Customer information packet

CECP4406T-4

150HP, 1785RPM, 3PH, 60HZ, 445TC, TEFC, F1

Class - None

Division - Not Applicable

Specifications

Enclosure	TEFC
Frame	445TC
Frame Material	Iron
Frequency	60.00 Hz
Motor Letter Type	Three Phase
Output @ Frequency	150.000 HP @ 60 HZ
Phase	3
Synchronous Speed @ Frequency	1800 RPM @ 60 HZ
Voltage @ Frequency	460.0 V @ 60 HZ
XP Class and Group	None
XP Division	Not Applicable
Agency Approvals	CSA EEV CCSA US
Ambient Temperature	40 °C
Auxillary Box	No Auxillary Box
Base Indicator	Rigid
Bearing Grease Type	Polyrex EM (-20F +300F)
Constant Torque Speed Range	15-60
Current @ Voltage	169.000 A @ 460.0 V
Design Code	B
Drip Cover	No Drip Cover
Duty Rating	CONT
Efficiency @ 100% Load	95.8 %
Feedback Device	NO FEEDBACK
Heater Indicator	No Heater
High Voltage Full Load Amps	169.0 a
Insulation Class	F
Inverter Code	Inverter Ready
KVA Code	F
Lifting Lugs	Standard Lifting Lugs
Motor Lead Quantity/Wire Size	3 @ 1/0 AWG
Motor Standards	NEMA

Part detail

Revision	G
Type	AC
Mech. spec.	
Base	
Status	PRD/A
Elec. spec.	A44WG3335
Layout	617427-013
Eff. date	03-12-2020
CD Diagram	416820-036
Poles	04
Leads	3#1/0 Y
Proprietary	False
Created date	02-07-2014

Motor Type	A4488M
Mounting Arrangement	F1
Number of Poles	4
Overall Length	44.75 IN
Power Factor	86
Product Family	General Industrial
Pulley End Bearing Type	Ball
Pulley Face Code	Standard
Service Factor	1.15
Shaft Ground Indicator	No Shaft Grounding
Shaft Rotation	Reversible
Shaft Slinger Indicator	No Slinger
Speed	1785 rpm
Speed Code	Single Speed
Starting Method	Direct on line
Thermal Device - Bearing	None
Thermal Device - Winding	None
XP Temp Code	T3

Nameplate

NP2496L
EXXON POLYREX EM

NP3238

CAT NO	CECP4406T-4	SPEC NO.	A44-5421-1778						
HP	150	AMPS	169	VOLTS	460	DESIGN	B		
FRAME	445TC	RPM	1785	HZ	60	AMB	40	SF	1.15
D.E. BRG.DATA	6318	O.D.E. BRG.DATA	6318	PH	3	DUTY	CONT	INSUL.CLASS	F
D.E. BRG.	90BC03J30X	TYPE	P	ENCL	TEFC	CODE	F		
O.D.E. BRG.	90BC03J30X	POWER FACTOR	86	NEMA NOM EFFICIENCY	95.8				
3/4 LOAD EFF.	96.1	MAX CORR KVAR	30.0	GUARANTEED EFFICIENCY	95				
TEMP CODE	T3	TEMP =	200						
CHP HZ	60-90	CT HZ	15-60	VT HZ	0-60				
INVERTER-TEMP-CODE	T3								
SER.NO.		MOTOR WEIGHT							

Parts list

Part number	Description	Quantity
SA276025	SA A44-5421-1778	1.000 ea
RA262591	RA A44-5421-1778	1.000 ea
421948051	LABEL, MYLAR	1.000 ea
NP2496L	MOTOR LUBE NAMEPLATE	1.000 ea
000613006PU	N/P (RELEASE QTY 10,000) UL CSA LABEL	1.000 ea
000692000VD	LABEL WARNING	1.000 ea
000692000FF	N/P	1.000 ea
089490099A	G28 BRKT 089490098WCA KB	1.000 ea
415072001B	CLAMP	1.000 ea
083199082RA	G28 SHORT FAN COVER W/BAFFLE ASSEMBLY	1.000 ea
034180014DA	KEY 1/4X1/4X1-3/4 L	1.000 ea
078548001R	FAN KB 234/150 (84) 400	1.000 ea
004824015A	GREASE POLYREX EM	1.160 lb
032018024FK	HHCS 3/4-10X3 PLTD.	4.000 ea
032018008CK	HHCS 3/8-16X1L PLATED	4.000 ea
032018030DK	HHCS 1/2-13X3-3/4 PLTD.	3.000 ea
415096002A	CPLG 1/8 HEX TYPE	1.000 ea
410700004A	WSHR	1.000 ea
034017014AB	LCKW 3/8 STD. PLATED	4.000 ea
034530072AB	P/NIP 1/8X9"L Threaded both ends	1.000 ea
034690005AB	PPLG 3/4 PLATED	1.000 ea
032620016LA	SOCKET SET SCREW-449	3.000 ea
034630002AB	CPLG 1/4" PLATED	1.000 ea
034530072BB	PIPE NIPPLE,DE - 440-BS	1.000 ea
412118006A	DRAIN	2.000 ea
415045002A	SLGR	1.000 ea
034690002AB	PPLG 1/4" PLTD.	1.000 ea
089490106A	G28 C-FACE BRKT MACH-6318 089490105WCA	1.000 ea
032018024FK	HHCS 3/4-10X3 PLTD.	5.000 ea
418151014G	RETAIN RING	1.000 ea
032018004BK	HHCS 5/16-18X1/2 PLATED	3.000 ea

415096002A	CPLG 1/8 HEX TYPE	1.000 ea
702623013A	THERMAL BARRIER -- G28 -- BRACKET MTD	1.000 ea
034017013AB	LCKW 5/16 STD. PLATED	3.000 ea
034690002AB	PPLG 1/4" PLTD.	1.000 ea
032018032DK	HHCS 1/2-13X4L PLATED	3.000 ea
415045002A	SLGR	1.000 ea
034690002AB	PPLG 1/4" PLTD.	1.000 ea
415915007G	GASK, LAC	1.000 ft
076863000C	+CBCST BLKT - 440	1.000 ea
076864000A	CBCST BLKT - 440	1.000 ea
067053001C	GASK 440	1.000 ea
032018008DK	HHCS 1/2-13X1 PLATED	4.000 ea
415000103D	T/LUG #4AWG-1/0AWG W/HOLE FOR .250 BOLT	1.000 ea
406099000A	PLUG - FAN COVER 320-440	1.000 ea
033512006LB	HHTTS 1/4-20X3/4 PLTD.	1.000 ea
406056007A	GASKET, 440	1.000 ea
032018008BK	HHCS 5/16-18X1L PLATED	4.000 ea
418150003A	GREASE FITTING CAP	1.000 ea
418150003A	GREASE FITTING CAP	1.000 ea
035000001A	ALFTG 1/8" 1610-BL	1.000 ea
035000001A	ALFTG 1/8" 1610-BL	1.000 ea
MG1025N19	WILKO 778.50 BLUE GREEN - 55 GAL DRUMS	0.250 ga
033775004EA	DRSCR #6-1/4 304 S.S.	2.000 ea
034180054KA	7/8 SQ X 6.75 KEY	1.000 ea
PK5004A09	BASE 48 X 39-1/4 STACK 2 X 4 RUNNER	1.000 ea
032510026D	CARRIAGE BOLT - 440	2.000 ea
034001014AB	FLAT WASHER 3/8" PLATED	2.000 ea
034001016AB	WSHR .562ID 1.375OD .109	2.000 ea
033300014AC	HEX NUT, SHIPPING - 400	2.000 ea
604799003C	PLASTIC BAG 42X32X46	1.000 ea
NP3238	SS CP XEX SEVERE DUTY MAIN NP	1.000 ea
LB1449	DIV-2/NEC WARNING LABEL	1.000 ea

617427-013

DUTY MASTER ALTERNATING CURRENT MOTORS

SQUIRREL-CAGE INDUCTION

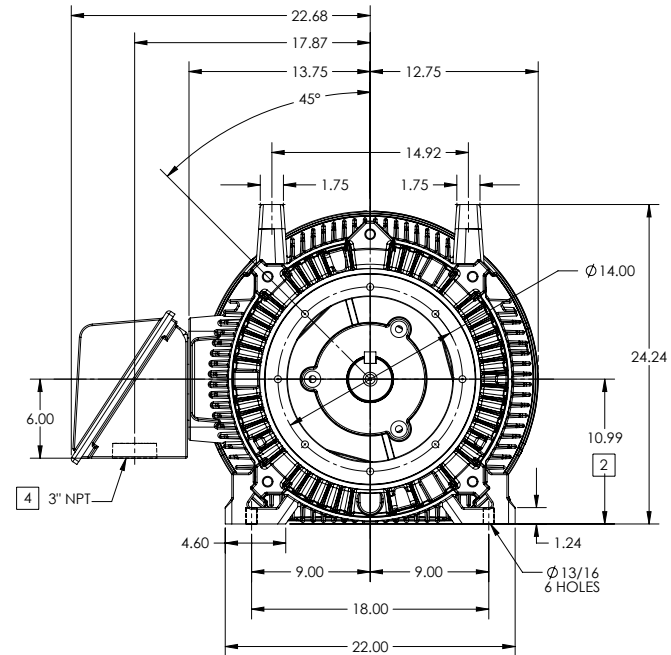
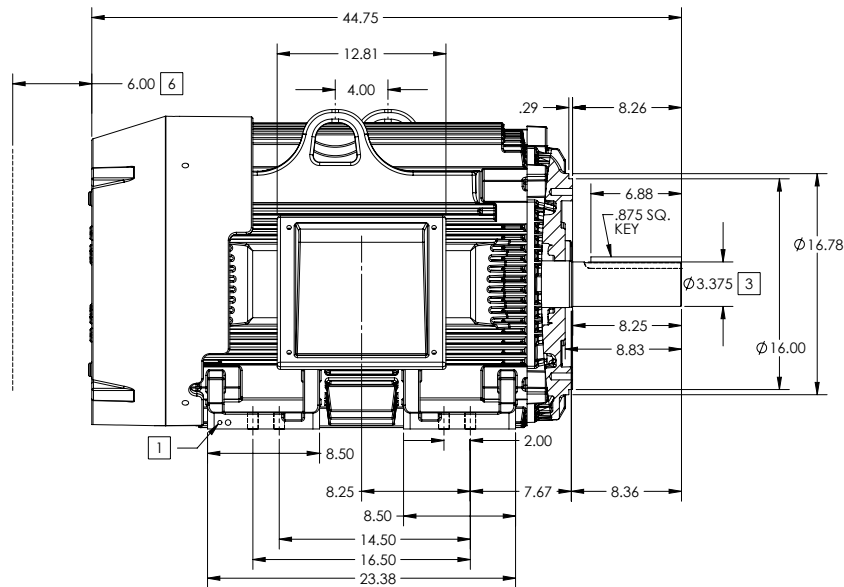
ENCLOSURE: TOTALLY ENCLOSED

FRAME G445TC ABOVE NEMA RATINGS

COOLING: FAN COOLED

MOUNTING: FOOT, NEMA "C" FACE

INCLUDES 444TC FRAME MOUNTING HOLES



- 1. GROUND HOLES QTY 1 1/2-13 TAP; QTY 1 3/8-16 TAP
- 2. VARIES +.00,-.06
- 3. VARIES +.00,-.001
- 4. ON STANDARD MOTORS THIS IS CONDUIT SIZE. ON XT AND CORROSION PROOF MOTOR THIS IS PIPE TAP.
- 5. MOTOR WEIGHTS MAY VARY BY 1.5% DEPENDING ON RATING.
- 6. OBSTRUCTION MUST NO ENCROACH ON AIR INLET

CONDUIT BOX LOCATED ON OPPOSITE SIDE WHEN F-2.
IF MOUNTING CLEARANCE DETAILS ARE REQUIRED, CONSULT FACTORY.
MAXIMUM PERMISSIBLE SHAFT RUNOUT WHEN MEASURED AT END OF STANDARD SHAFT EXTENSION IS .003" T.I.R. TO 5 INCH DIA.

[5] WEIGHT (LBS): 2130

DRIVE END AIR DEFLECTOR IS ONLY INCLUDED WHEN NECESSARY.

DIMENSIONS ARE IN INCHES; SEE SHEET 2 FOR DIMENSIONS IN MILLIMETERS

CUSTOMER IS RESPONSIBLE FOR DETERMINING THAT MOTOR PERFORMANCE IS SUITABLE IN THE APPLICATION.

SHEET NUMBER
1 OF 2

E107-272-119

REV. DESC: INITIAL RELEASE	VERSION: 00	REVISED: 11.00.20 07/23/2012	TDR: 00000749386
MODEL NO. 617427-013	BY: MGHWC	Material:	REF:

BALDOR

G445TC444TC STD - FOOTED - SIDE/CENTER C/B

617427-013

617427-013

DUTY MASTER ALTERNATING CURRENT MOTORS

SQUIRREL-CAGE INDUCTION

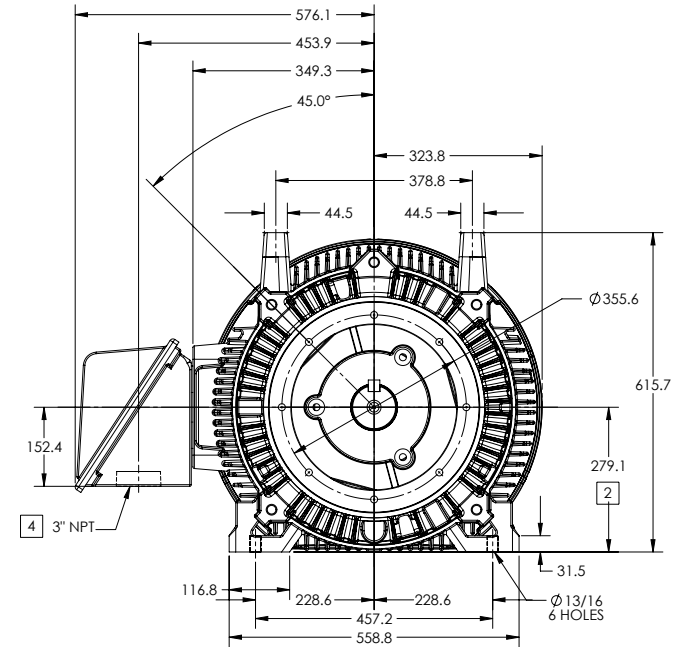
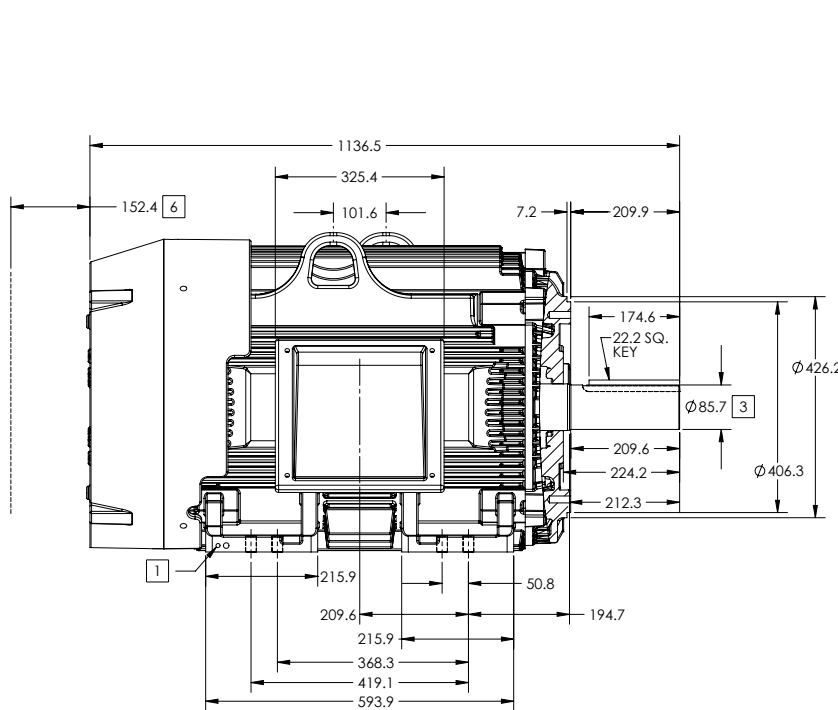
ENCLOSURE: TOTALLY ENCLOSED

FRAME G445TC ABOVE NEMA RATINGS

COOLING: FAN COOLED

MOUNTING: FOOT, NEMA "C" FACE

INCLUDES 444TC FRAME MOUNTING HOLES



1. GROUND HOLES QTY 1 1/2-13 TAP; QTY 1 3/8-16 TAP
2. VARIES +.00,-.06
3. VARIES +.00,-.001
4. ON STANDARD MOTORS THIS IS CONDUIT SIZE. ON XT AND CORROSION PROOF MOTOR THIS IS PIPE TAP.
5. MOTOR WEIGHTS MAY VARY BY 15% DEPENDING ON RATING.
6. OBSTRUCTION MUST NO ENCROACH ON AIR INLET

CONDUIT BOX LOCATED ON OPPOSITE SIDE WHEN F-2.
IF MOUNTING CLEARANCE DETAILS ARE REQUIRED, CONSULT FACTORY.
MAXIMUM PERMISSIBLE SHAFT RUNOUT WHEN MEASURED AT END OF STANDARD SHAFT EXTENSION IS .08 MM T.I.R. TO 127 MM DIA.

[5] WEIGHT (KGS): 970

DRIVE END AIR DEFLECTOR IS ONLY INCLUDED WHEN NECESSARY.

DIMENSIONS ARE IN MILLIMETERS; SEE SHEET 1 FOR DIMENSIONS IN INCHES

CUSTOMER IS RESPONSIBLE FOR DETERMINING THAT MOTOR PERFORMANCE IS SUITABLE IN THE APPLICATION.

SHEET NUMBER
2 OF 2

617427-013

REV. DESC-INITIAL RELEASE			
REV: -	VERSION: 00	REVISED: 11.00.20 07/23/2012	TDR: 00000749386
MODEL NO. 617427-013		REF:	
BY: MGHWCG	Material:	C	

BALDOR

G445TC444TC STD - FOOTED - SIDE/CENTER C/B

617427-013

416820-036

A-C MOTOR
CONNECTION DIAGRAM
STANDARD 3 LEAD CONNECTED



(N.P. 1575-BA)

416820-036

REV. DESC: LOADED TO BUS, C/R 335225		
REV. LTR: -	VERSION: 00	TDR: 000000538207
FILE: \MGA\00000\682	REVISED: 11: 54: 06 04/30/2010	
MTL: -	BY: RAGRA	

BALDOR

CONN DIAG - STANDARD 3 LEAD
SH 1 of 1